

**SUPERSEDED**  
**CH/13600 RMF 18.02.09**

**SPECIFICATION**

(@ 5 Vdc SUPPLY +20 °C AMBIENT TEMP.)  
FOR FURTHER SPECIFICATION, CONSULT PG DRIVES TECHNOLOGY Ltd.

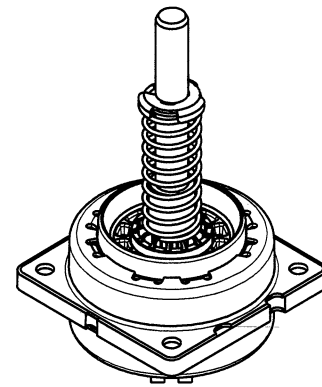
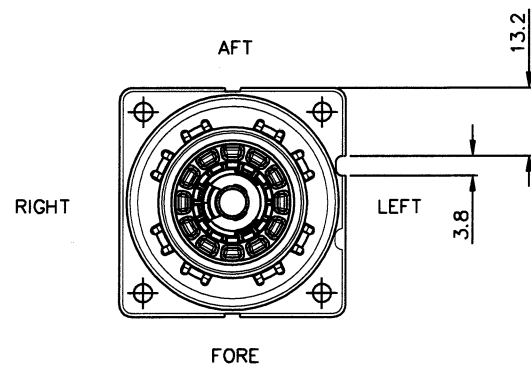
**ELECTRICAL – supply**  
OPERATING SUPPLY VOLTAGE (Vs) 5.0 Vdc ± 0.5 Vdc  
ABS MAX VOLTAGE 24 V  
REVERSE POLARITY PROTECTION -18 Vdc  
CURRENT CONSUMPTION 19 mA nominal

**ELECTRICAL – outputs**  
OUTPUT TYPE Duplex – two independent per channel  
OUTPUT IMPEDANCE 98 to 113 Ω  
OUTPUT VOLTAGE SPAN ± 1.39 V wrt Vs/2 ± 50 mV  
CURRENT (Sink/Source) ± 1.2 mA  
RESOLUTION Infinite  
CENTRE ACCURACY Vs/2 ± 42 mV  
INDEPENDANT LINEARITY 1 % typ. (wrt 2.78 V)  
CROSSTALK < 4 % (wrt F.S.D.)  
NOISE 1.5 mV typ.

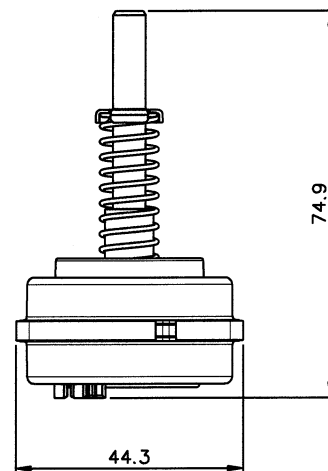
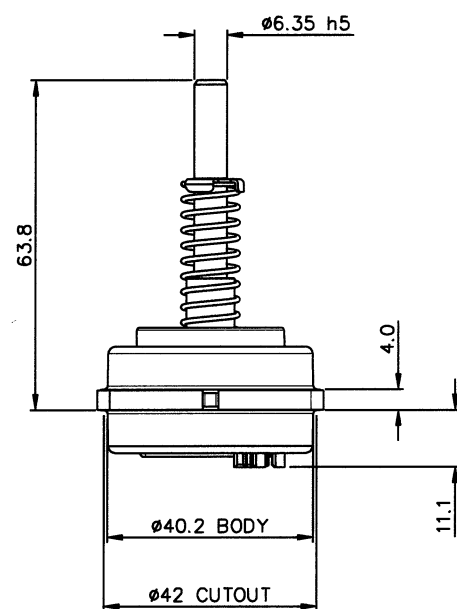
**ELECTRICAL – Vs/2**  
CENTRE TAP VOLTAGE 50 % of Vs ± 1.2 %  
CENTRE TAP IMPEDANCE 1100 Ω ± 1 %

**MECHANICAL**  
LEVER OPERATING FORCE  
BREAKOUT 1.0 N nominal (@ 2° deflection)  
OPERATING 1.3 N nominal (@ 20° deflection)  
MAX. LOAD ALLOWABLE 300 N  
MECHANICAL ANGLE  
ROUND GATE ± 20° nominal  
MAX. SHAFT TORQUE ALLOWABLE < 2 Nm  
EXPECTED LIFE 15 million operations  
WEIGHT 0.076 kg nominal

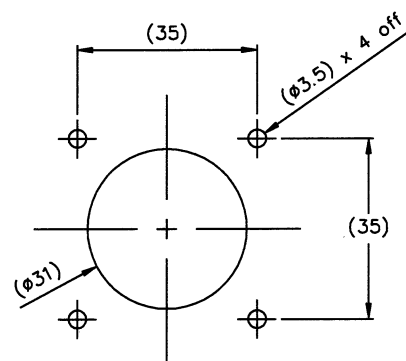
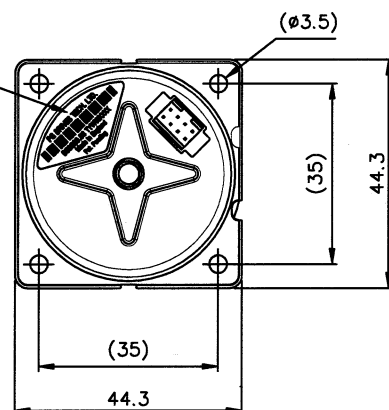
**ENVIRONMENTAL**  
OPERATING TEMPERATURE -25° C TO +70° C  
STORAGE TEMPERATURE -40° C TO +70° C  
SEALING (ABOVE FLANGE) IP65 to IEC 60529:1991  
EMC – IMMUNITY IEC 61000-4-3:2002 50 V/m  
EMC – EMISSIONS BS EN 55022:1998, Class B,  
ESD IMMUNITY IEC 61000-4-2:2001 15 kV air, 8 kV contact



Isometric View

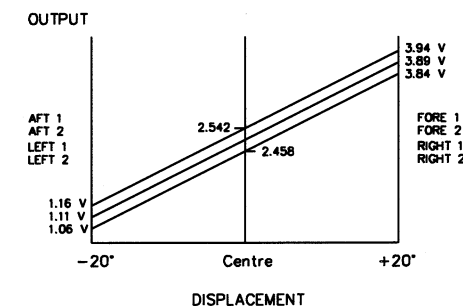


BARCODE LABEL

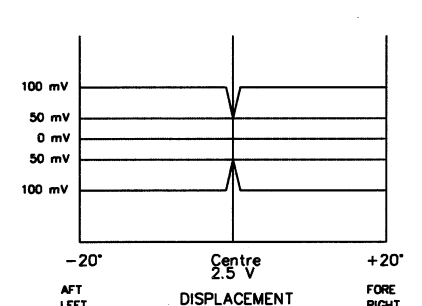


PANEL CUTOUT DETAILS

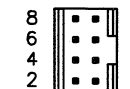
**OUTPUT VOLTAGE Vs DISPLACEMENT**



**DIFFERENTIAL OUTPUT (SAME CHANNEL)**



**CONNECTION DETAILS**



Connector Details  
Connector Type FCI Minitek 90309-008  
Mating IDC Connector FCI Minitek 89361-708

Pin Number	Description
1	Voltage Supply Vs (5 Vdc)
2	Left/Right output 1
3	Voltage Supply 0 V
4	Fore/Aft output 1
5	Fore/Aft output 2
6	Centre tap voltage Vs/2
7	Left/Right output 2
8	Not connected

ISS.	DATE	CH/No.	REVISION DETAILS	NAME
3	27.09.07	CH/13262	Centering cone revision, now moulded.	B.Askew
2A	25.05.06	CH/12877	SK76745 & SK76903 Removed From Border.	A.Golding
2	18.10.05	CH/12727	Gaiter removed	P.Domoney
1	13.09.05	CH/12454	Production Issue	B.Askew
A	23.02.05	NEW DWG	New Drawing	A.M.CRAIG

APPROVED	CHECKED	DRAWN	NAME
			A.M.CRAIG

**PG DRIVES TECHNOLOGY**  
1 Alrspeed Road, Christchurch,  
Dorset. UK. BH23 4HD  
www.pgdt.com

FINISH CLEAN  
TOLERANCES ± 1 UNLESS OTHERWISE STATED

DIMS mm

ORIGINAL SCALE 1:1

TITLE **MAID GENERIC**

SIZE **A2** DATA SHEET No. **D50800**