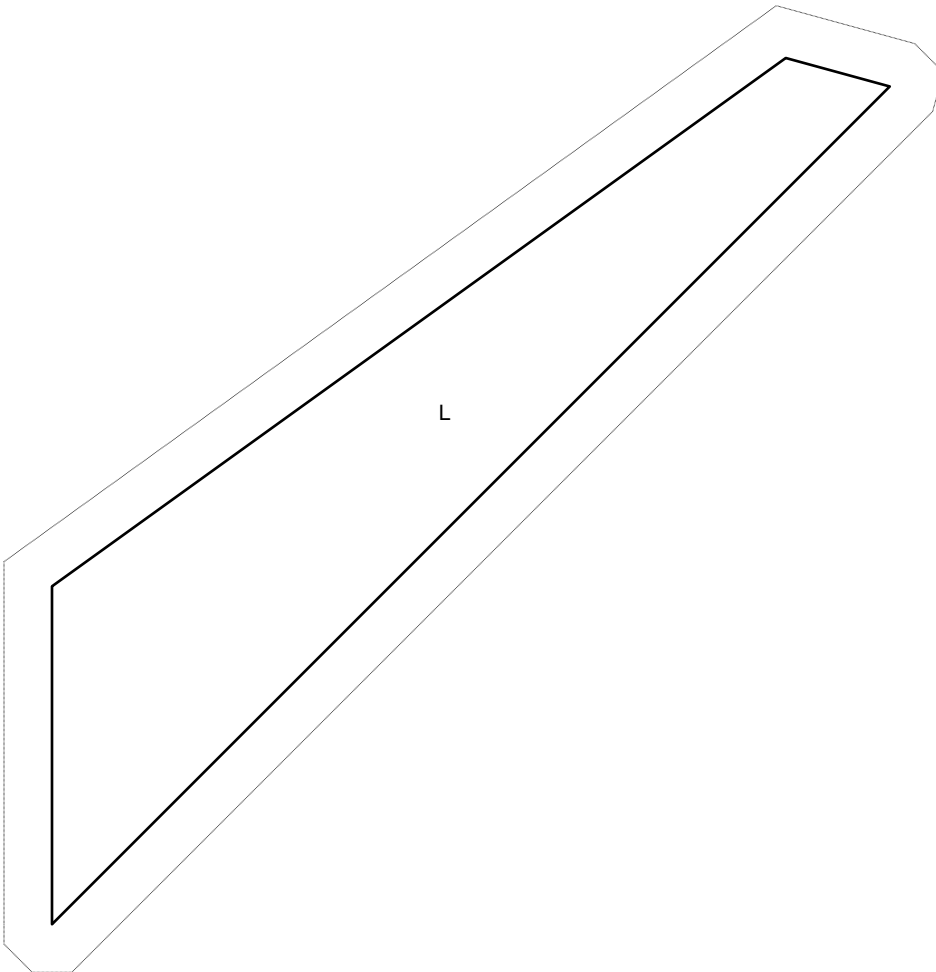
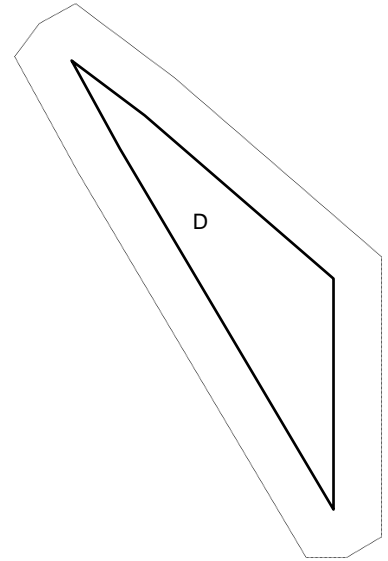
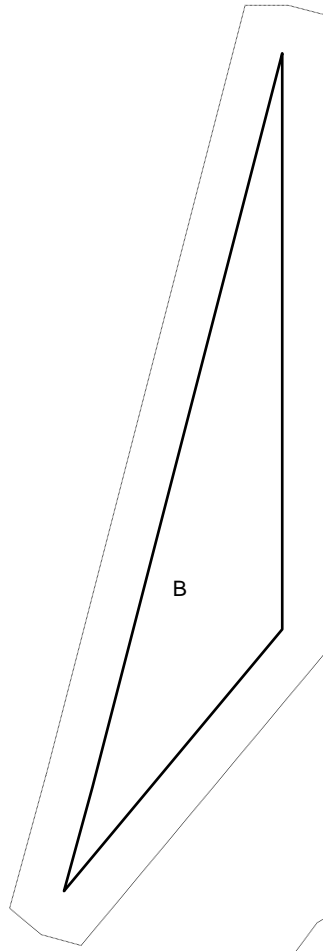
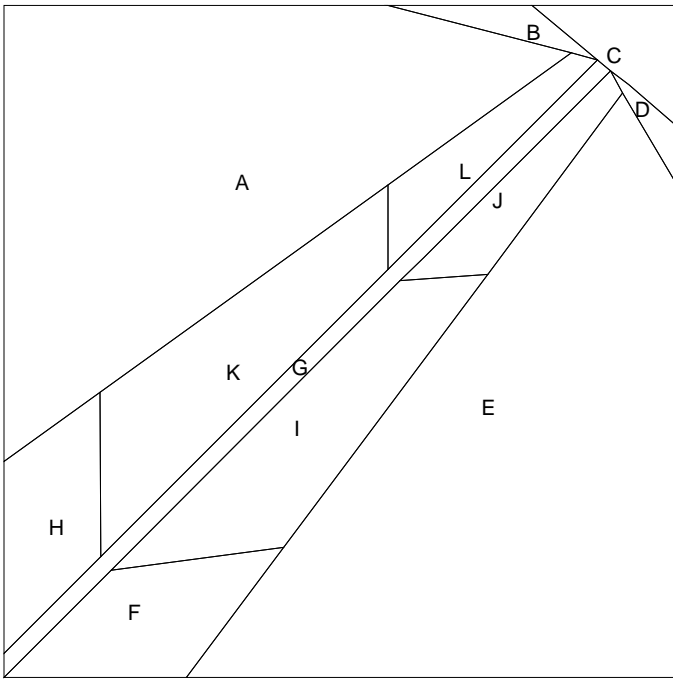
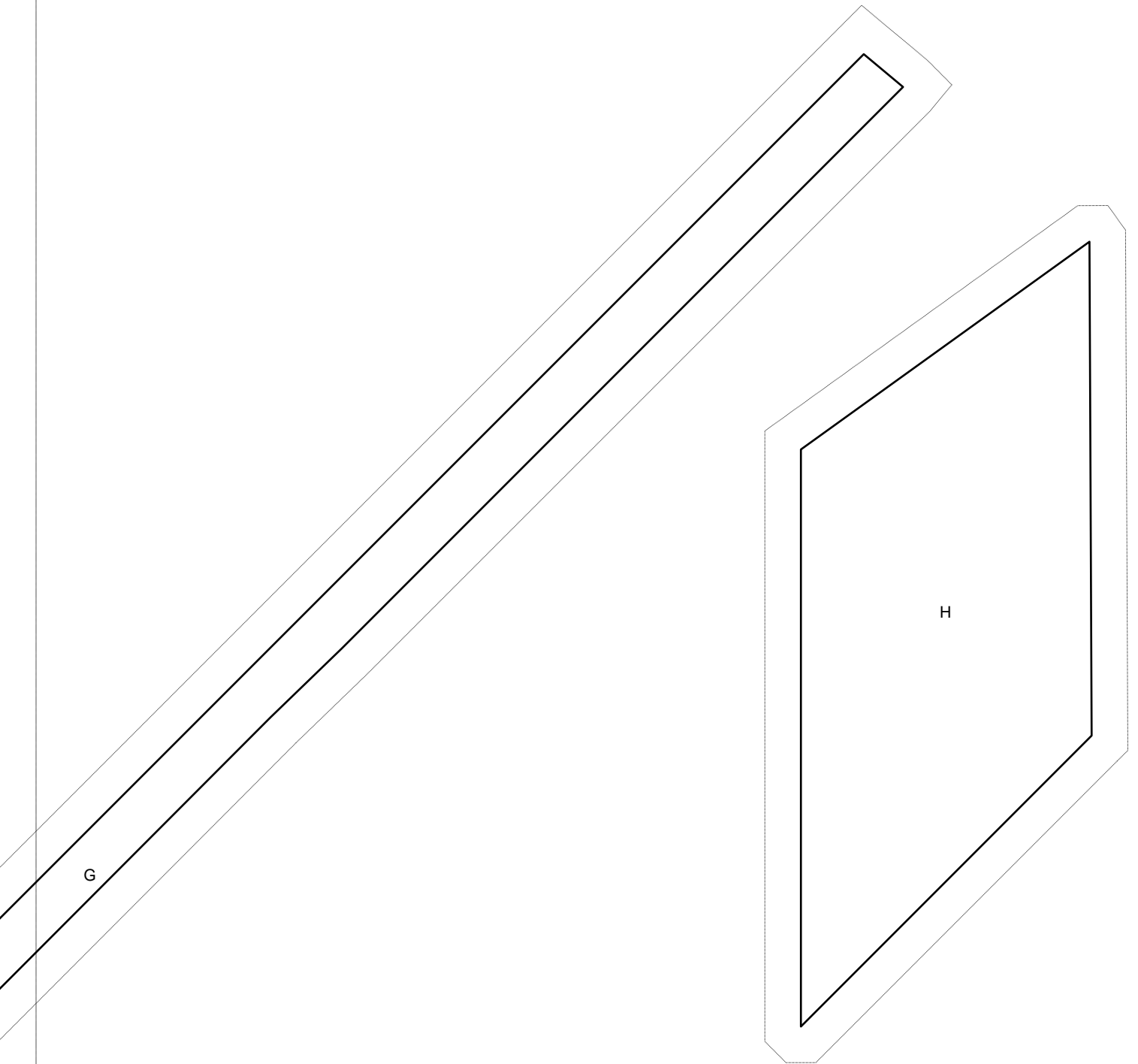


Unnamed

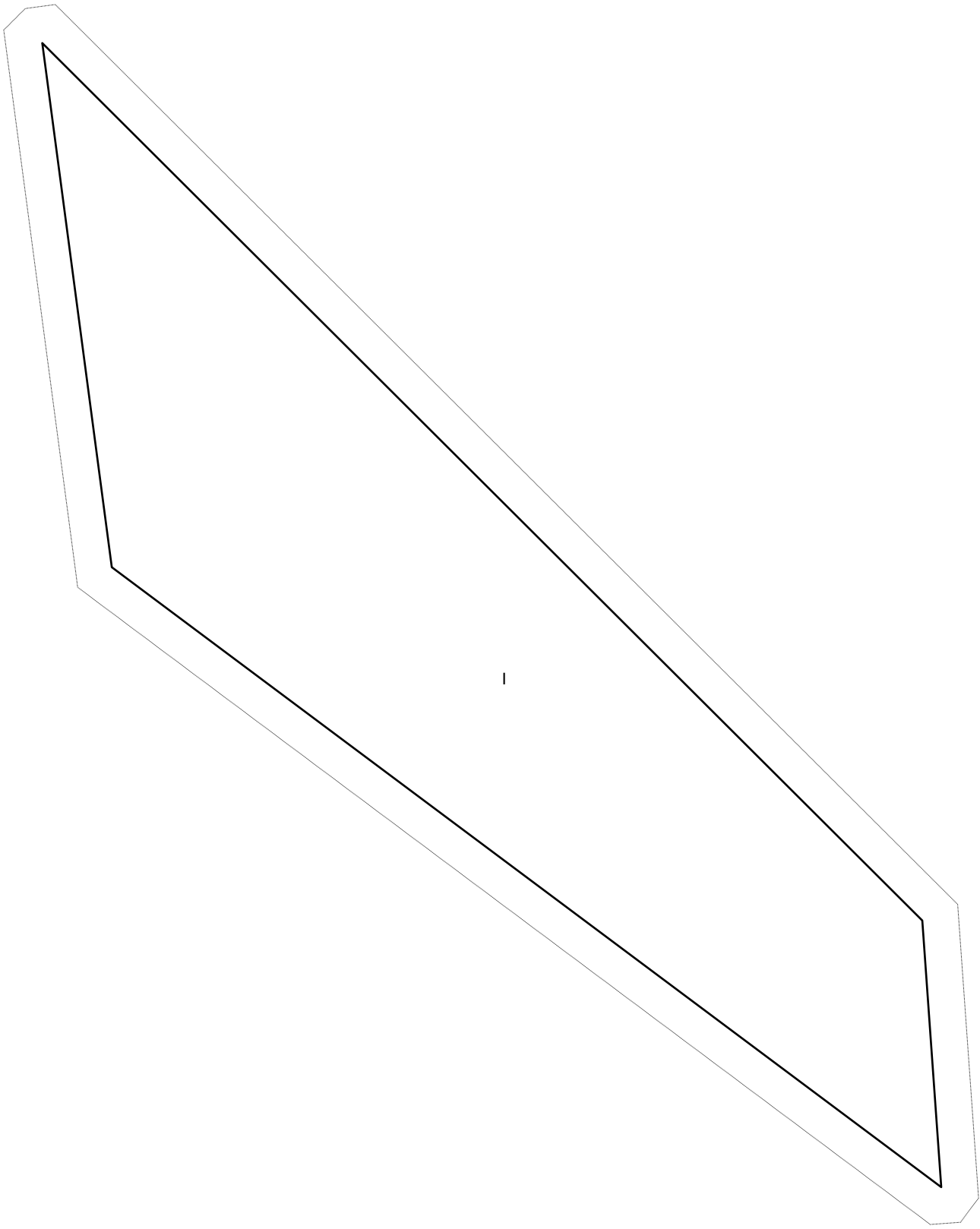
Key Block (5/20 actual size)



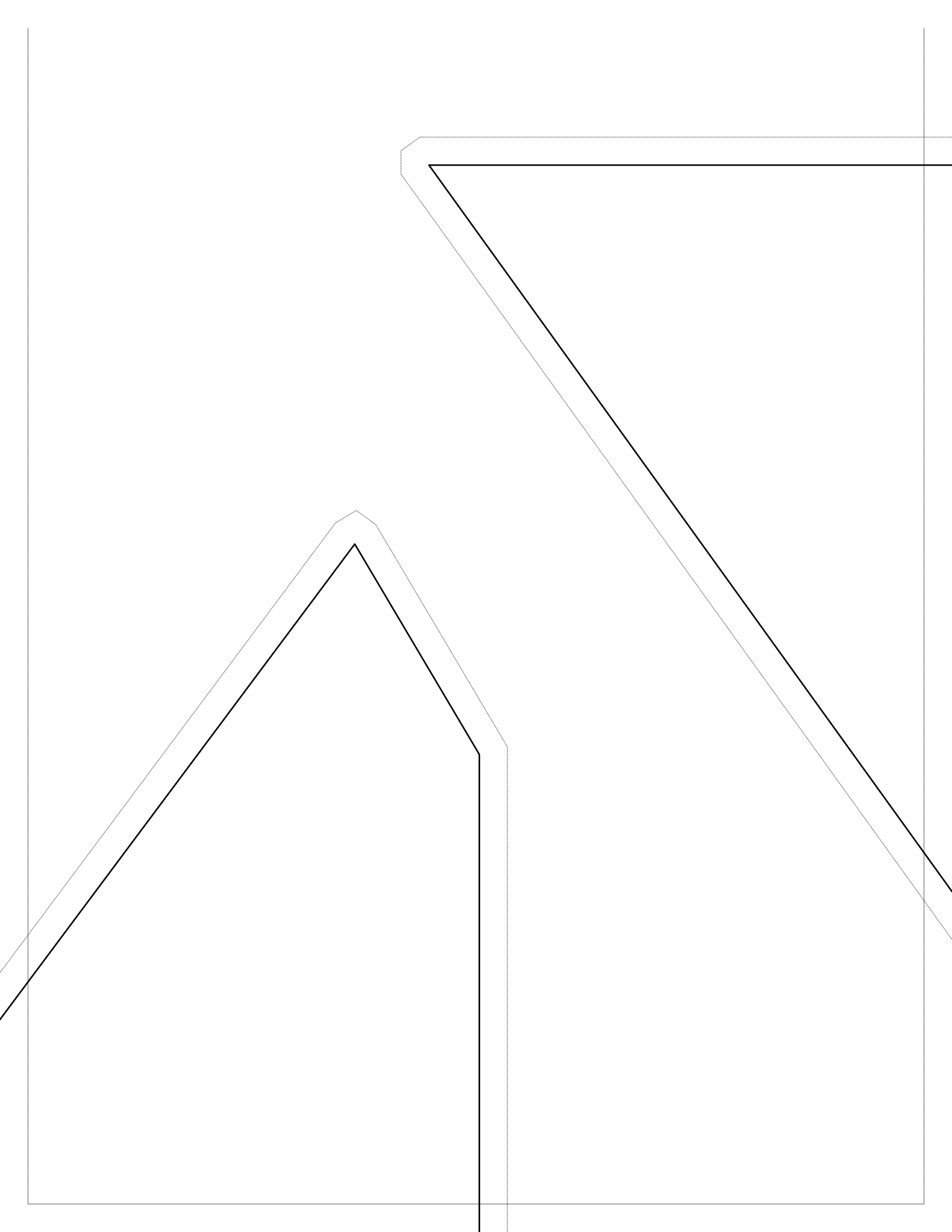


G

H

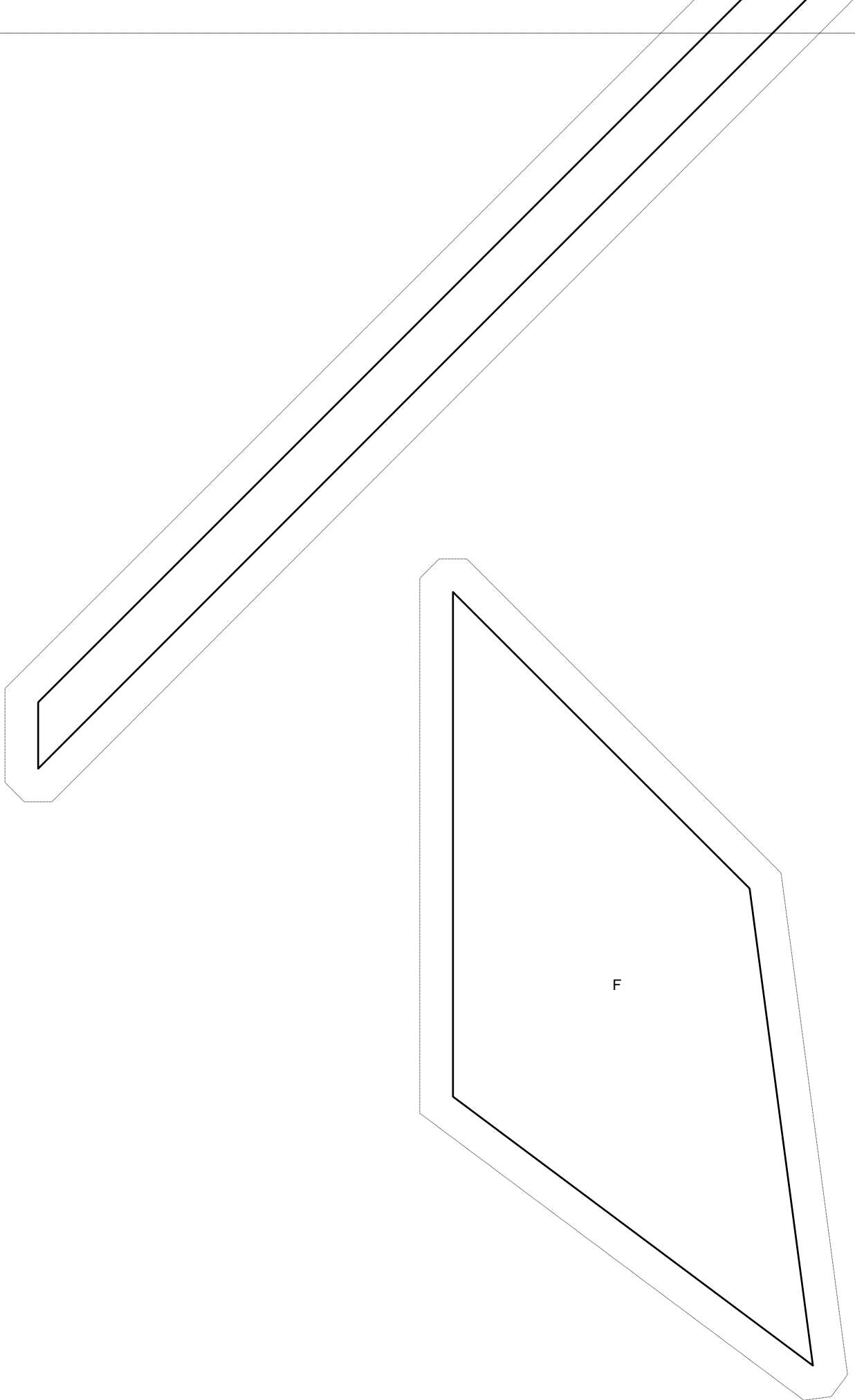


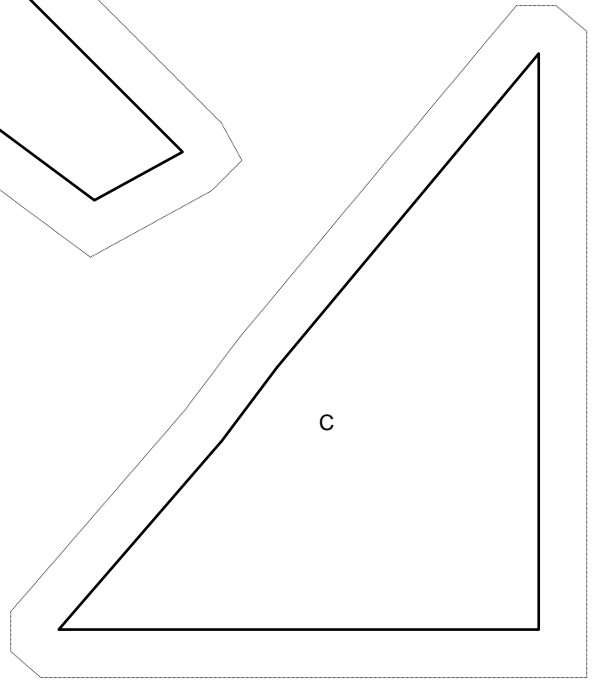
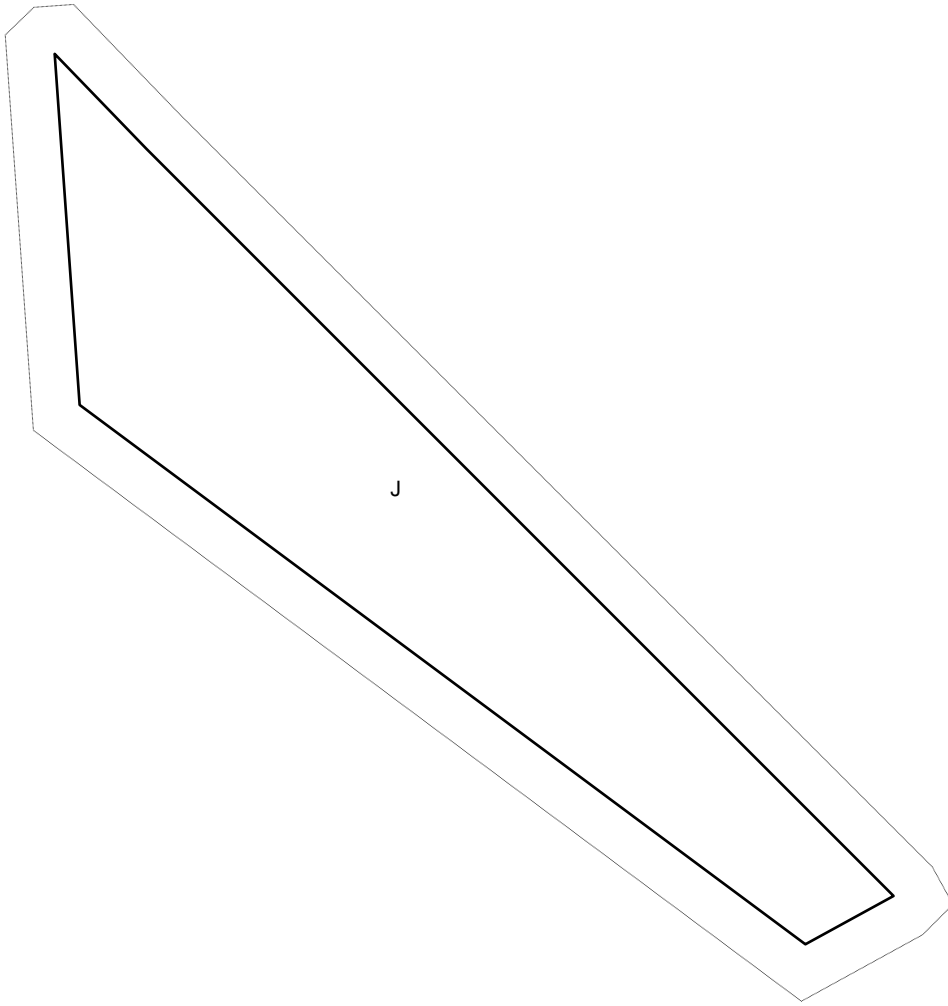
1

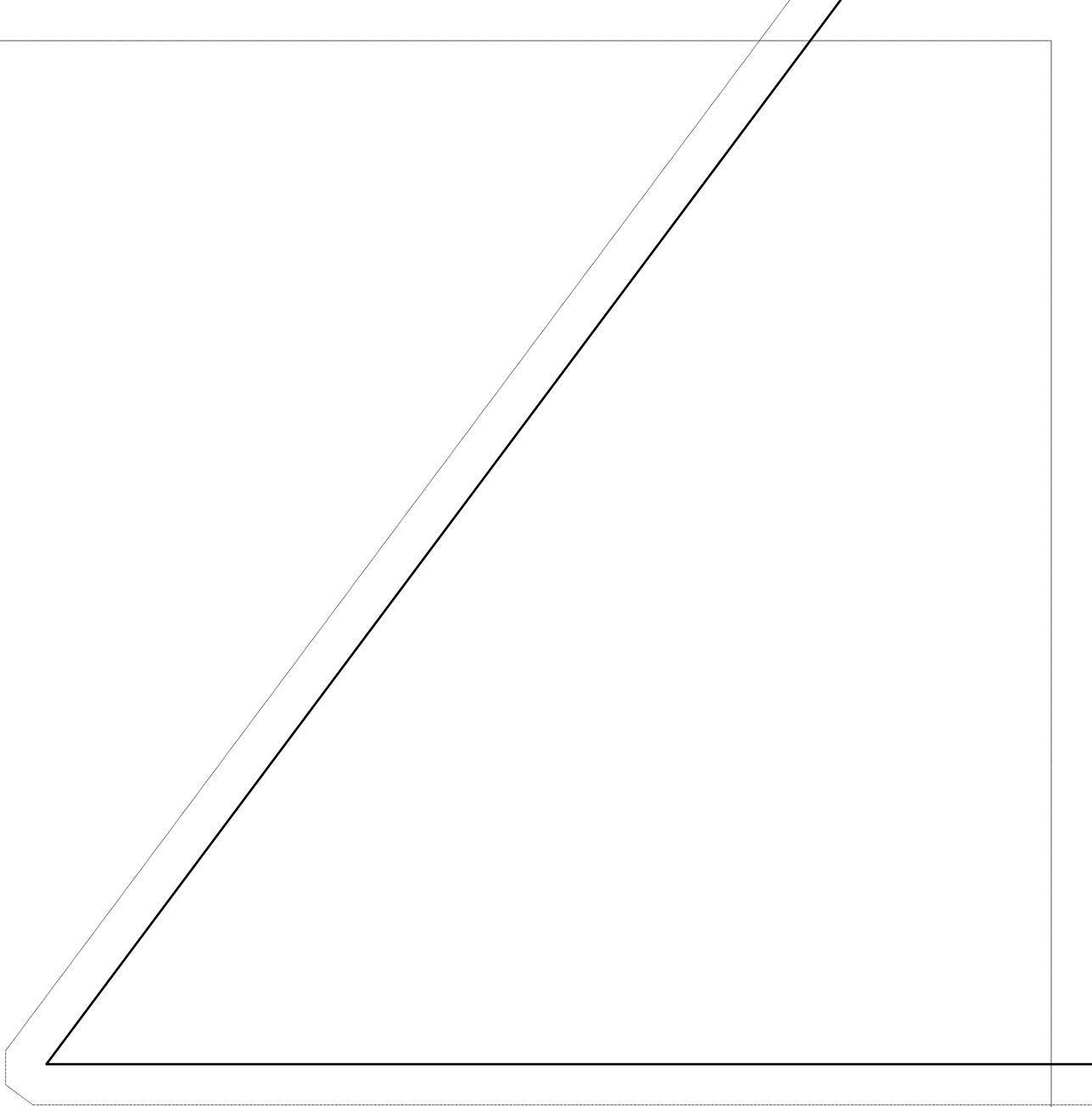


A

The image displays a technical drawing on a white background. A solid black line forms a large rectangle. A dashed black line follows the top and right edges of this rectangle, extending slightly beyond its corners. A diagonal solid black line runs from the top-left corner towards the bottom-right corner. A thin, light gray line is also present, parallel to the diagonal line and positioned slightly below it. The letter 'A' is centered within the rectangular area.







E

