

# Replacement

## Retrofit Window Installation Instructions

### Installation Requires Knowledge of:

- AAMA Installation Instructions.
- Applicable Federal, State, Local Codes and Regulations.
- An Understanding of the Fundamentals of Residential Construction.
- A Working Knowledge of the Tools, Equipment and Methods Required for Installation.
- A Familiarity with Caulking, Sealing Procedures and Glass Handling Procedures.



### 1. REVIEW THE EXISTING WINDOW

Determine what material the window is made of, whether it's made of wood, aluminum or steel. The interior portion of the window will be disassembled and removed. The existing frame will remain intact as not to disturb the weather barrier integrity of the wall. The old frame is like a dam and will divert any moisture running down the inside of the stucco or siding, around the window opening and down the wall. Also note the exterior wall construction, whether it's stucco, wood or vinyl siding. You will need to know this when purchasing an appropriate sealant for the job. Sealant must be compatible to the substrates. Example: PVC and stucco material. If purchasing an aluminum product, steps should be taken to protect the aluminum frame from the decomposing effect of electrolysis. Aluminum products must be isolated from dissimilar or corrosive materials with a non conductive coating or sealant material.

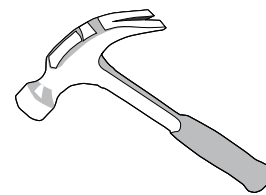
### 2. MEASURING THE OPENING

Remove the sash members and metal rails from the existing window. This will insure that you are measuring the narrowest point in your window. This measurement is the daylight opening. Measure the daylight opening width at three places, the top, middle and bottom. Then measure the height in three places, at the left, right and center. See **Fig. 1**. After you have your narrowest width and height measurements, deduct 1/4" from each. This will give you the "net frame size" for ordering.

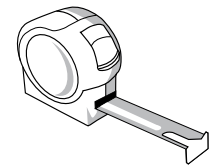
When the new Retrofit Window is installed, its flush fin will

### Tools and Materials You Will Need

A few simple hand tools will aid in installation. Refer to the specific installation method instructions for materials required.



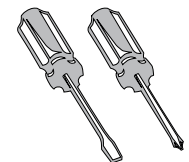
Hammer



Tape Measure



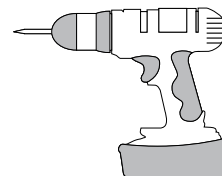
Broad Wood Chisel



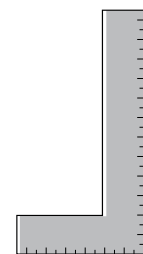
Flat and Phillips-head  
Screwdrivers



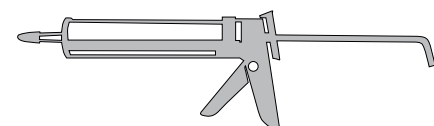
Utility Knife



Drill



Square



Caulking Gun



Level

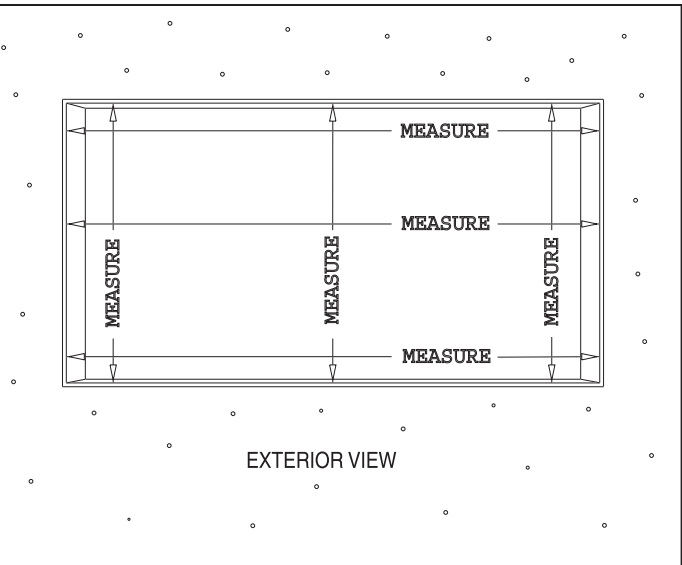
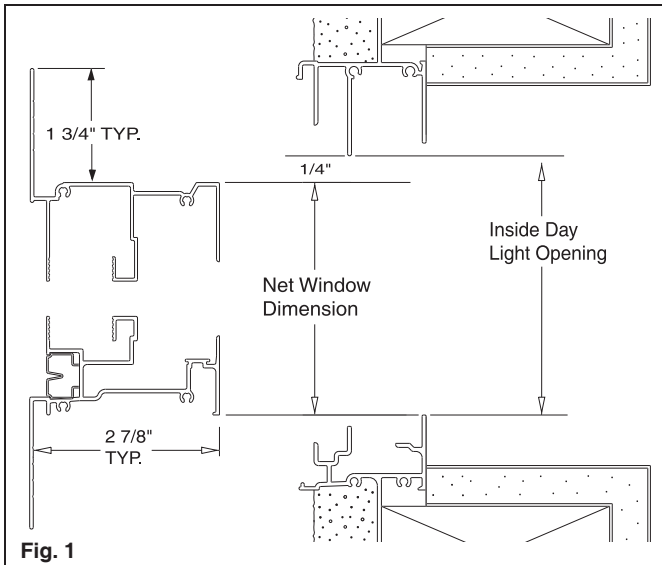


Fig. 1

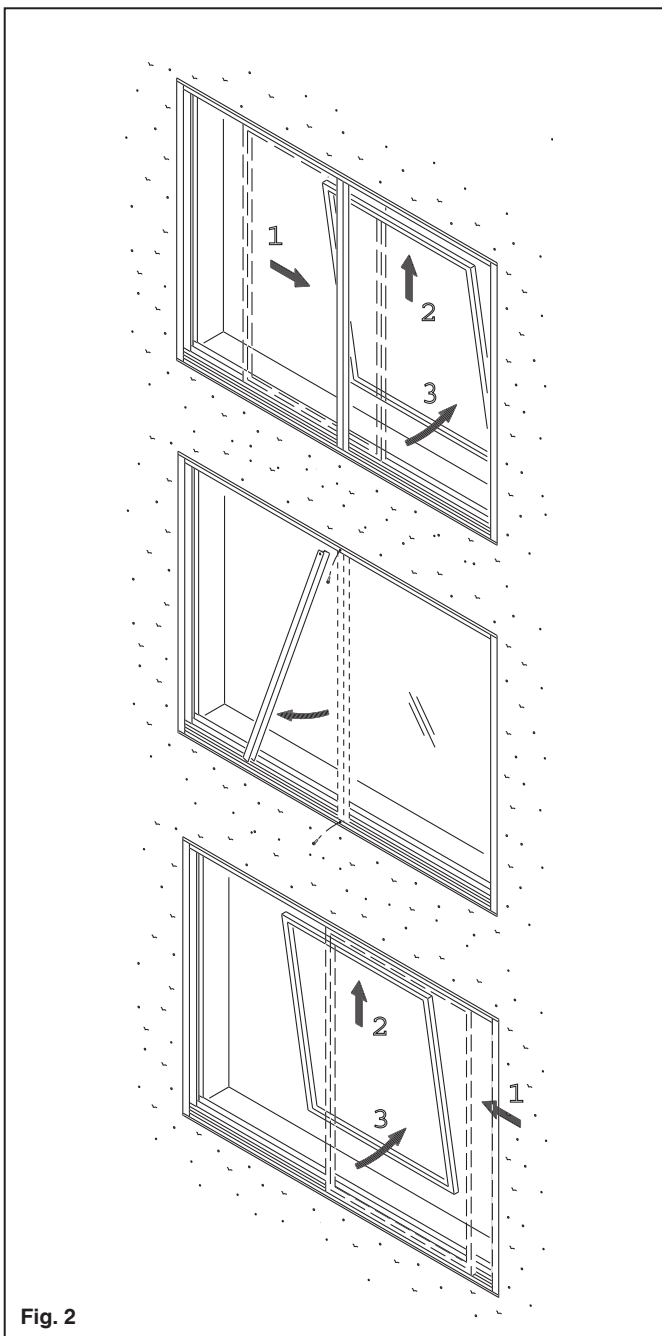


Fig. 2

lay flat against the existing window frame and stucco. Look closely at your old window, there may be parts which extend past the stucco or siding. Excess parts, hinges and drip legs must be cut away prior to installation.

### INSTALLATION

Before installing, inspect the new window. Any damage to the window frame joint seals must be repaired. The sill track must be able to hold water for 15 minutes without leaking to the interior. After inspection, disassemble the existing window. Remove the vent panel, center post, fixed panel and any other components that will interfere with the installation. See **Fig. 2**. Once again, leave the existing frame intact.

Prepare the exterior surface of the wall where the flush fin of the new window will come in contact. With a stiff bristle brush or putty knife, scrape, sand or grind any rough texture around the existing frame to provide a smooth surface for installation. See **Fig. 3**. Remove all dirt from the sill track.

Test fit the window for size in the opening prior to caulking. See **Fig. 4**. Check if frame fits flush against the wall or as close as possible. Try to minimize the gap between the frame and wall. Additional blocking for sill support may be required. Check interior reveals. Trim the flush fin if a narrower width is required.

Predrill pilot holes into the interior channel of the new frame at the head and jambs. Do not drill into the sill. Holes

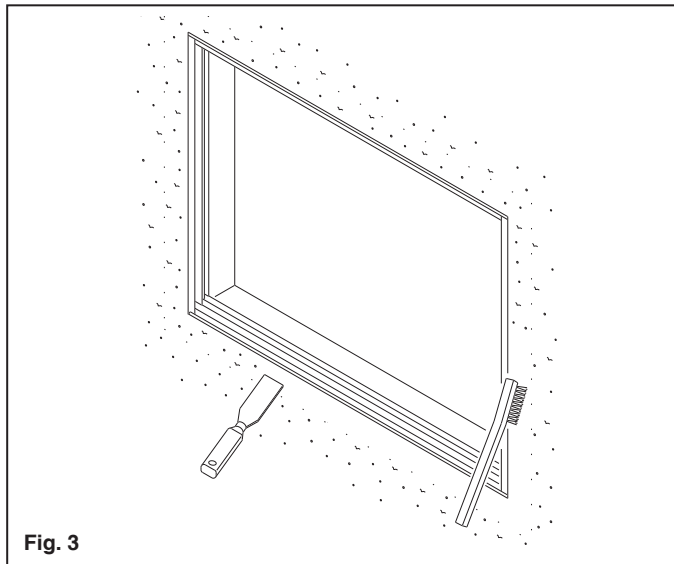


Fig. 3

should be no more than 18" apart, on center, with corner holes approximately 6" from end. See **Fig. 5**. Make sure screw heads do not interfere with the sash operation.

Run a generous, continuous bead of sealant along the exterior perimeter of the window, where flush fin comes in contact with the wall. At the sill location, leave a 2" gap at each corner to allow any moisture to escape. See **Fig. 6**.

Insert new window into opening while applying moderate pressure along the flush fin. Ensure that the window is level and plumb by shimming frame from the interior. Where possible, install shims at fastener locations. Secure the window with a #8 X 2 1/2" pan head screw. Start in one of the upper jamb corners. Screws should be long enough to secure new frame to wood studs. Recheck for level and shim if required. In the opposite jamb, secure an additional screw and recheck for level. If frame is level, secure all remaining screws. Take care when tightening screws in order to avoid distorting the frame.

With window now secured, run a clean bead of sealant around the exterior edge of the flush fin. See **Fig. 7**. Wipe off and tool excess sealant for a clean look.

From the interior, fill the void between the old and new frames with a backer rod or insulation material. See **Fig. 8**. Conceal gap with our flat interior trim or a trim of your choice. Run a bead of sealant along edge of trim for a clean look. See **Fig. 9**.

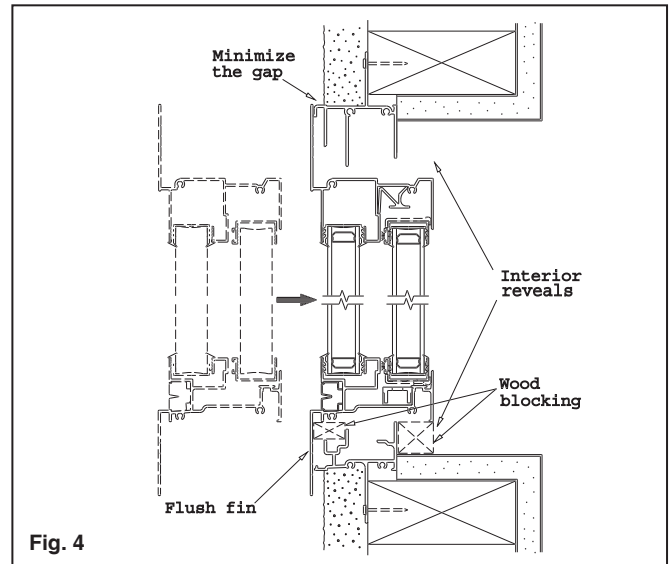


Fig. 4

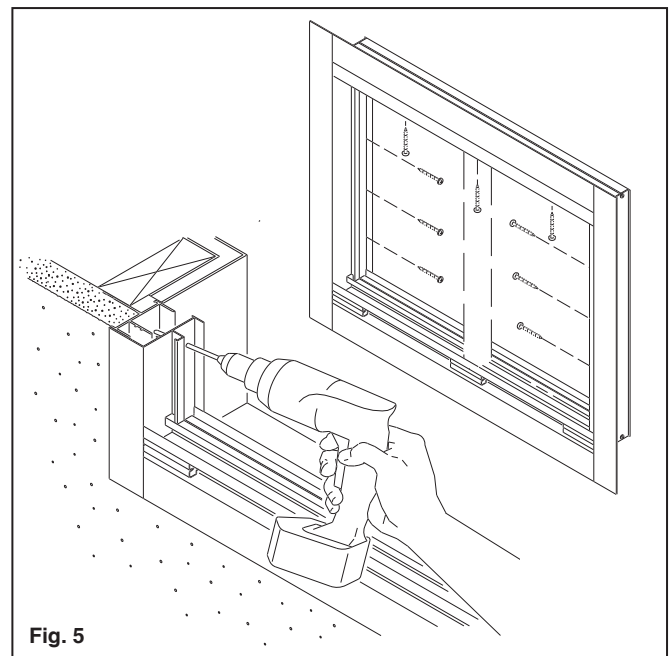


Fig. 5

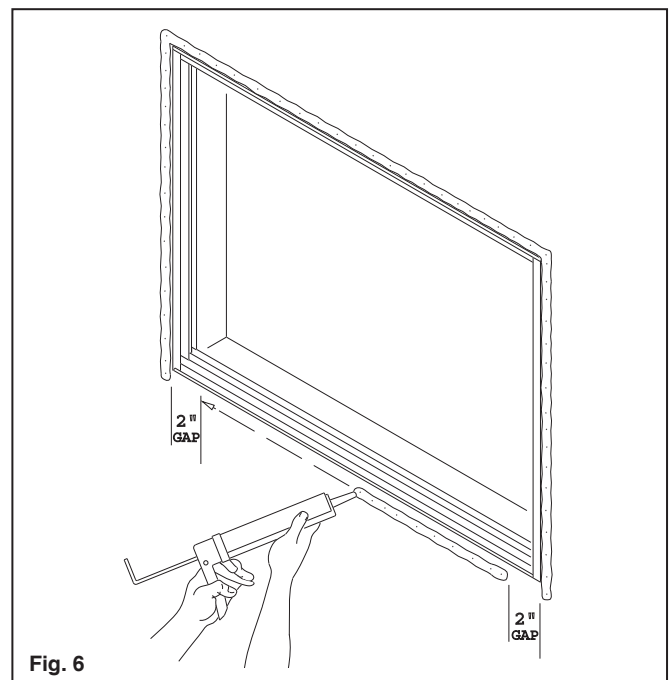


Fig. 6

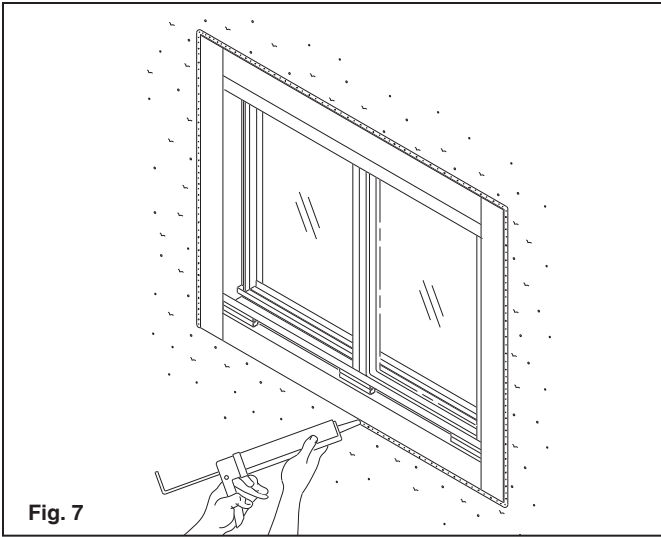


Fig. 7

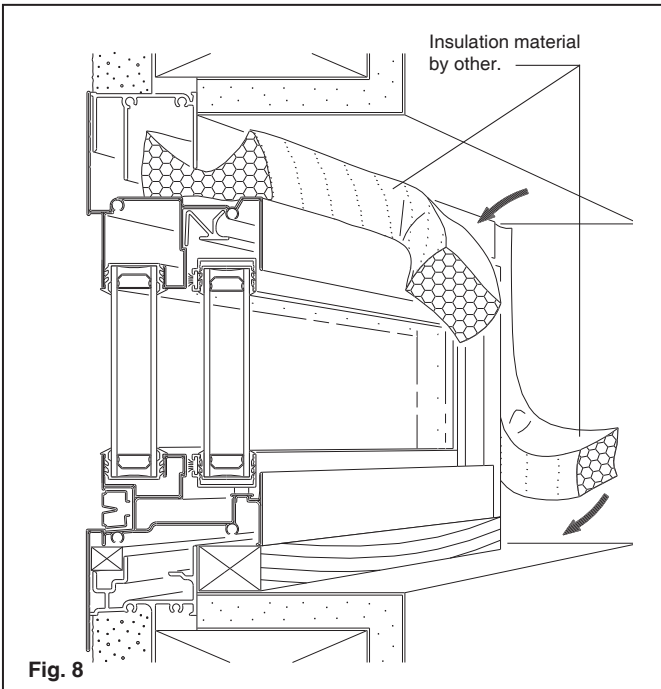


Fig. 8

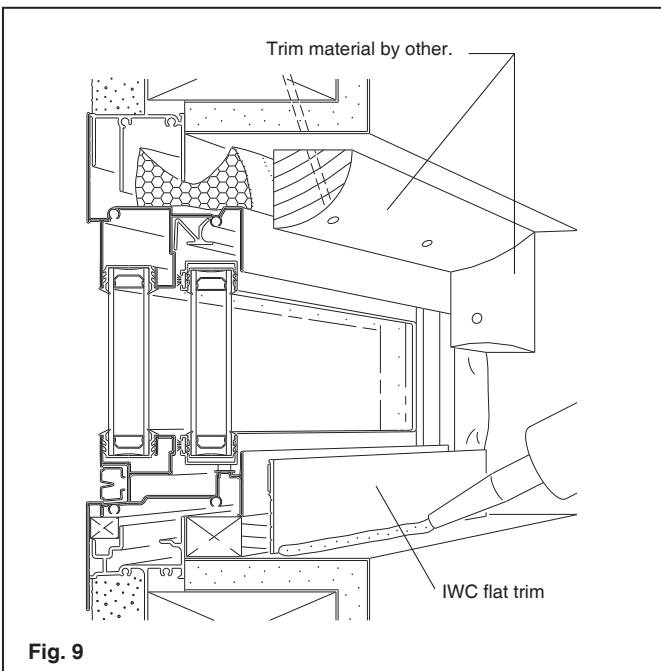


Fig. 9

- Wood trim, plant-ons, and pot shelves all require special precautions. When necessary under these conditions use metal flashing. Use metal flashing on any surfaces where water may not drain promptly.
- Seal all holes in the building paper including those caused by staples or nails.
- Interfaces between our products, flashing and the building's weather resistive barrier must be sealed with a sealant recommended for this application. We cannot recommend a particular type or manufacturer of sealant.
- Muller windows require special treatment. Please consult instructions for your muller conditions.
- Holes drilled for alarms may not be placed on sills or heads and must be sealed.
- Extreme weather conditions may cause water intrusion into your home and subsequent water damage. Consult a licensed engineer for an appropriate rating for expected local weather conditions.
- Do not apply film or tints to the surface of the glass. These products can cause insulated unit failure.
- To avoid the effects of electrolysis and chemical reaction to an aluminum sill, apply bituminous paint to raw masonry or concrete. You may also use a PVC liner to separate the metal frame from the substrate.

**SEMI-ANNUAL MAINTENANCE**

- Improperly maintained products will reduced the performance of any window or door. The sills and weeps must be cleaned regularly to allow for drainage. Water in the sill during a rainstorm is normal.
- Weather-strip should be cleaned and fluffed on a regular basis. Wearing of the wool pile is normal. Wool pile should be replaced if gaps between the weather-strip and frame appear.
- Harsh abrasive cleaners should never be used on frames or glass surface.
- If products are within 10 miles of the coast, metal surfaces should be cleaned with a fresh water rinse every one to three months. Car wax on the surface will provide some protection. Anodized or painted surfaces will help prolong the life and enhance appearance. Clean and lubricate hardware components with corrosion resistant spray or lubricant monthly to ensure proper performance. Silicone lubricant spray can be used on all operable components.

**REMOVAL OF OLD WINDOWS OR DOORS**

Some things to keep in mind when removing old products.

- Follow the EPA's Lead Renovation, Repair and Painting Rule (RRP Rule) which requires that firms performing renovation, repair, and painting projects that disturb lead-based paint in homes, child care facilities and pre-schools built before 1978 have their firm certified by EPA (or an EPA authorized state), use certified renovators who are trained by EPA-approved train providers and follow lead-safe work practices. For more information visit [www.epa.gov/lead](http://www.epa.gov/lead).
- When removing products from a building IWC recommends that you follow local rules and regulations for disposal. Whenever possible, take window and door products or components to reuse or recycling centers and avoid disposing them in the landfill. Consult with your local recycling center for more information on programs in your area.

Installation Instructions: IWC provides installation instructions for common new construction and replacement applications found at [www.intlwindow.com](http://www.intlwindow.com). Some IWC products have specific installation instructions which are also available on the website. For variations of these installation instructions or questions regarding alternative installation practices, call 1.800.477.4032 for more information.

Disclaimer: EPA makes no warranties, expressed or implied, nor assumes any legal liability or responsibility for the accuracy, completeness, or usefulness of the contents of installation instructions, or any portion thereof. Further, EPA cannot be held liable for defects or deficiencies resulting from the proper or improper application of installation instructions.

**PLEASE KEEP THESE INSTRUCTIONS IN YOUR HOME OWNER'S PACKET.**

I have read the above instructions and understand the manufacturer's recommendations.

.....  
( Installer's signature )



**Southern California**  
**1.800.477.4032**

Visit our website at [www.intlwindow.com](http://www.intlwindow.com)