



Installation Guidelines

Hard Top Screen Enclosure

Porch & Patio Screen Room



Tools You'll Need

- 4 ft. Carpenter's level
- Chalk line (to mark "U" channel locations)
- Cordless drill/nut driver
- Caulking gun Chop saw with a metal cutting blade on it (required to make accurate and precision cuts)
- Ladders
- Masonry bits for drilling into concrete; masonry fasteners (if necessary)
- Metal file (to smooth cut edges)
- Hammer, Screwdrivers, Drill, tape measure, Box knife, Gloves, Safety eye-wear

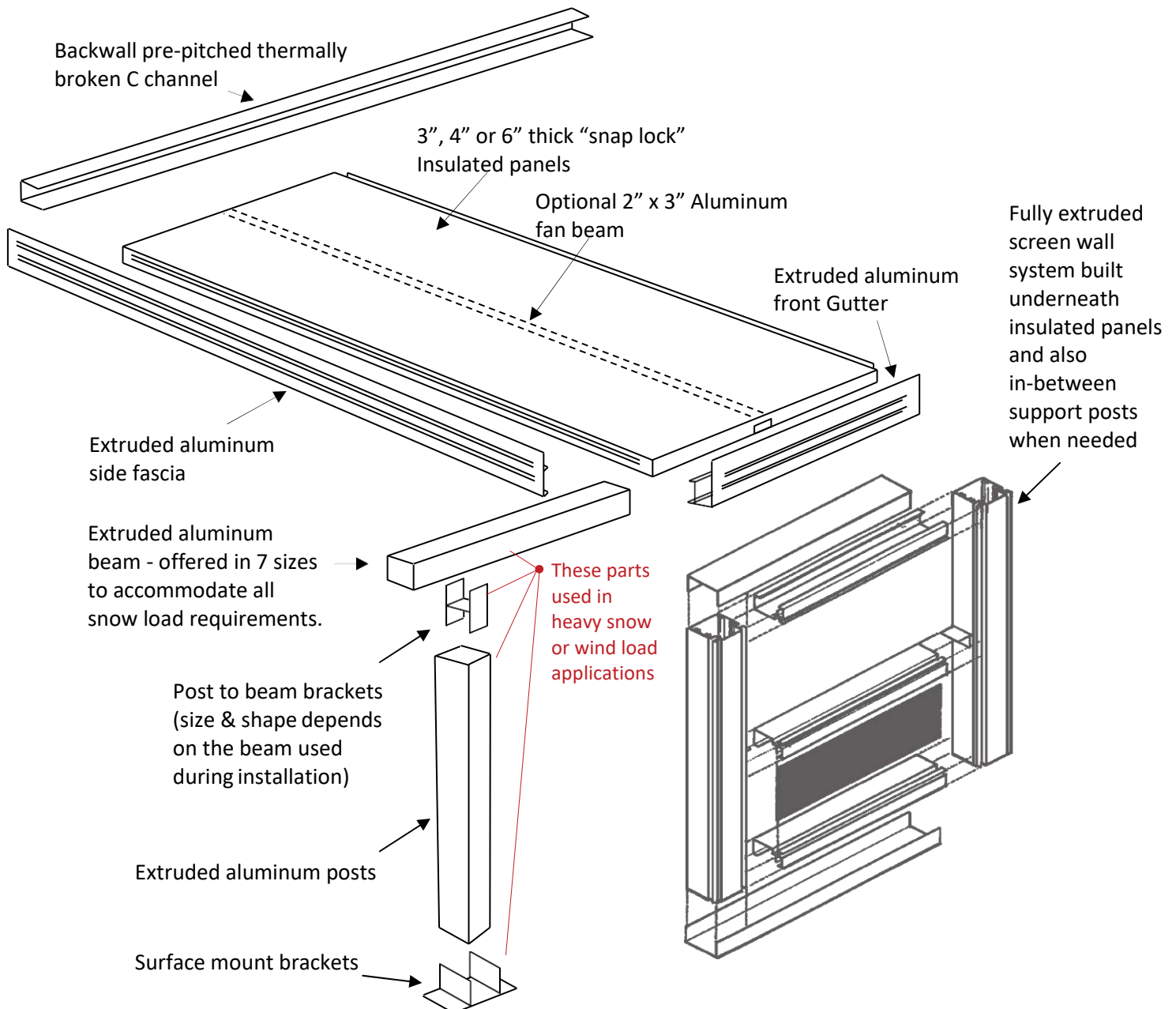


Installation Guidelines

Hard Top Screen Enclosure

Porch & Patio Screen Room

Hard Top Screen Rooms are quoted with all panels, beams (where needed), extruded fascia for both sides, thermally broken pre-pitched aluminum backwall C channel, front extruded gutter, screws & hardware, lags for panel to beams connection, posts (where applicable), sealant, touch up paint, tar tape, top & bottom post brackets (where applicable), and hardware. In addition you will receive all the vertical and horizontal U channels, mainframe, kickplate (if applicable), mullion clips and all hardware internal to the kit.





Installation Guidelines

Hard Top Screen Enclosure

Porch & Patio Screen Room

Install the Thermally Broken C Channel

(This is the 24' piece of extrusion with two lips and a black bead in the middle of the back running the length of the extrusion.)

Determine the area in which you are going to mount the C channel. Snap a level chalk line along the surface at which the bottom of your channel will be installed.

Cut your C channel to the exact length of the finished size of your unit. That is the total width of all of your panels connected together **minus** the male lock of the last panel which you will trim off to install the side fascia extrusions. ***Your C channel and the front gutter will be capped on each end by your side fascia extrusion, which will be the last step in finishing off the roof portion of your patio cover.***

If you are installing on your fascia board make sure you are catching rafter ends in order to make a secure installation. If you are installing on your house wall or under the small gutter of your trailer / mobile home, it is suggested you install a ledger board by lagging it to your house wall studs on the inside of the exterior veneer. By doing this you can easily secure the C channel in as many locations as is necessary without worrying about finding house wall studs for each screw.

Prior to securing your C channel we suggest running two beads of caulking on the back surface where it will meet the building or fascia board. We suggest two screws (one above and one below the thermal break) every 12" - 16". If you have room it is advised to run a bead of caulk on the top of the C channel once installed so as to ensure a water-tight seal.

Tip #1: Though it is not "imperative" it is advisable that the C channel be installed with enough room to be able to use the supplied 1/2" hex head Tek screws on both the top and bottom lips in order to firmly hold the roof panels in the C channel at the house wall. If you cannot put the screws through the top lip, be sure to at least use the screws on the bottom lip.

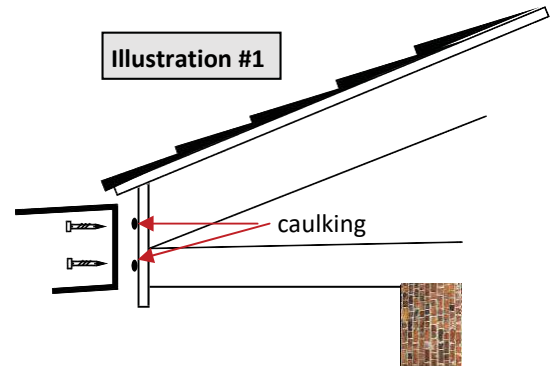


Illustration #2

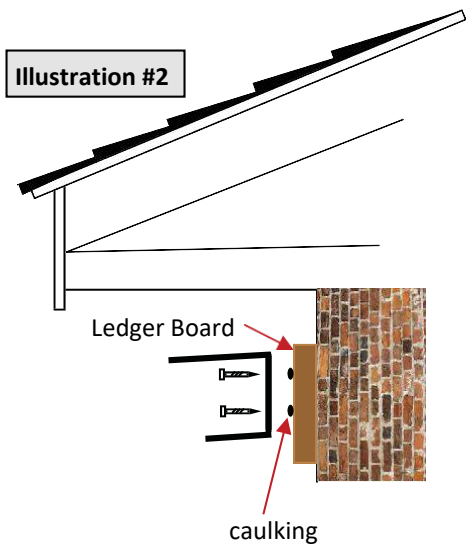
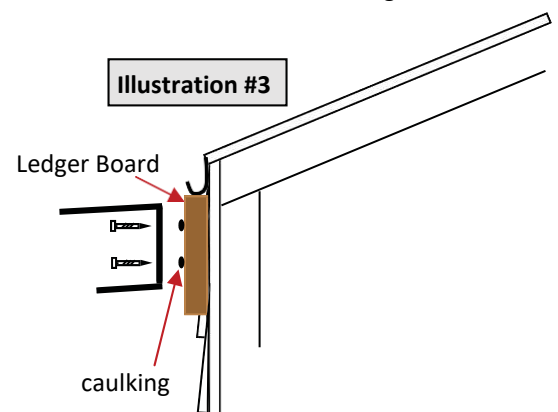


Illustration #3



****You will be responsible for the purchase of the hardware (screws / lag bolts) necessary to secure the C channel to your existing surface.**

Note that the C channel is pre-pitched. When figuring out your final post height OR the front wall height of your screen room, do the math using a pitch of 1/4" per foot of projection.



Installation Guidelines

Hard Top Screen Enclosure

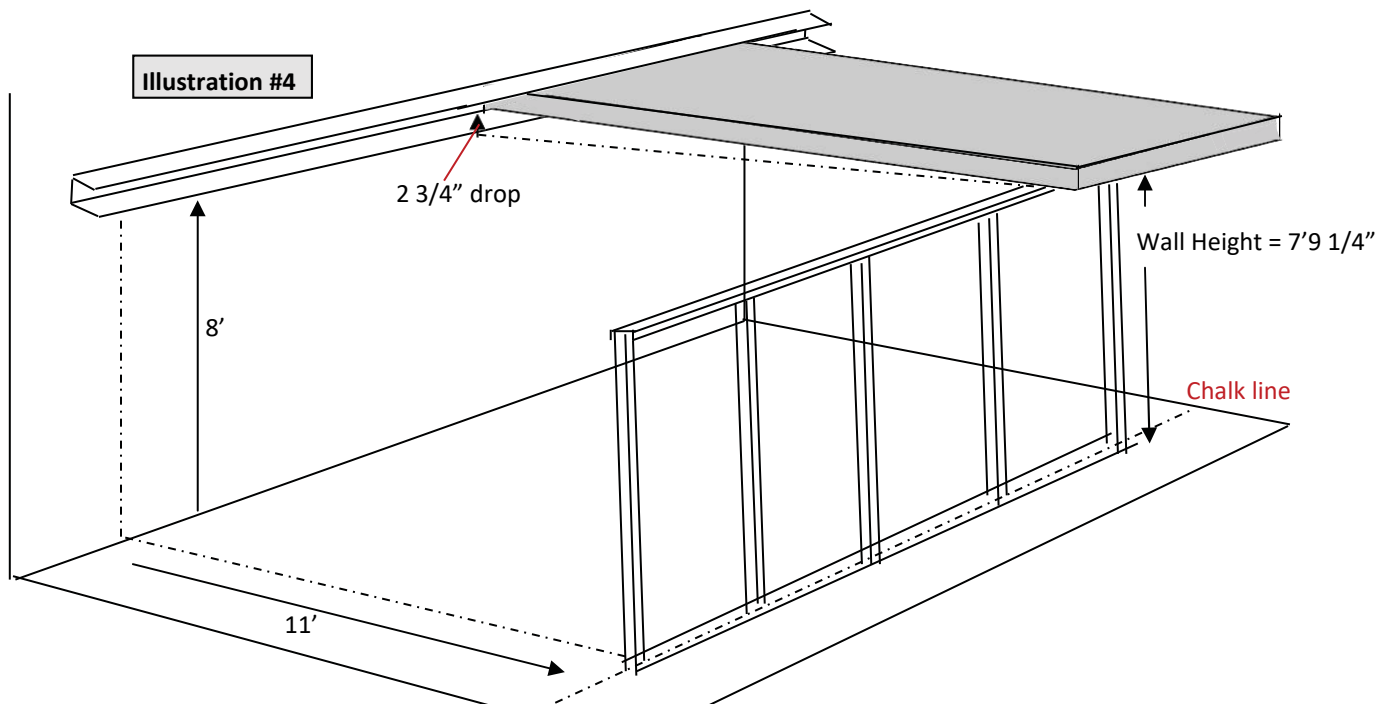
Porch & Patio Screen Room

****ATTENTION**** If your installation requires a set of beam and posts to support the roof at the front wall please go to **Page 7**.

Front Wall Installation

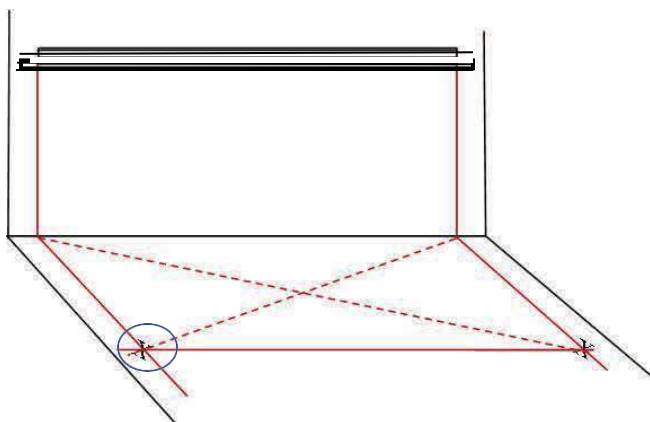
You will need to do the math to determine the finished size of your front wall installation. The following example is for a 12' long, 3" thick panel supported at the 11' mark by the screen wall assembly. *Your numbers should be adjusted accordingly.*

Take the measurement from the deck / patio to the bottom flange of the installed C Channel. For the purpose of this illustration, call it 8 feet. With a pitch of 1/4" per foot of projection, the total height of the post & beam assembly will be 8' minus 2 3/4" ($11 \times 1/4$) = 7' 9 1/4". This means the total height of all your verticals (including H 120 corners) will be 7' 9 1/4". (Illustration #4)



WARNING: Your wall placement **MUST** be square relative to the rear C channel assembly. One way to achieve this would be to temporarily insert one of your insulated panels into the rear C channel assembly exactly at the left edge and support it with ladders or wooden braces at the height that you have determined as per the instructions above. (**do not do this on a windy day!**). "Square" up the awning perimeter by snapping chalk lines down the wall and plumb to the deck or patio surface

where you will be attaching the screen walls. Run another chalk line perpendicular from the line on the wall out along the surface of the decking or patio. Measure the exact distance of the 'on center' point out to where your front screen wall is to be installed on each of those perpendicular lines and then snap a chalk line connecting those two points. You should be able to drop a plumb line from the underside of the roof panel at the 'on center' point of where the screen wall corner post will be installed and it should touch the line you have snapped on the deck or patio (blue circle in the drawing on the left). Make sure the measurement from corner to corner on the deck surface is exactly the same. This should give you a square installation.





Installation Guidelines

Hard Top Screen Enclosure

Porch & Patio Screen Room

BUILDING YOUR FRONT SUPPORT WALL

Between the guidelines given below and the drawing you received with your quotation you should have everything you need to assemble your unit. If you need clarification on any point of the assembly we will be glad to help. Before cutting anything, please lay out the material you have been given and understand how each piece is to be cut and placed, so that you know you have enough material to do the job. Always call before cutting if you are in doubt about anything.. Our hours of operation are posted on our WEB site for your convenience.

NOTE: When quoting a screen walls only system, we do our best to make the smartest use of materials in order to keep the pricing as reasonable as possible. Sometimes, the most efficient use of materials (due to the extrusions only being available in 16' long and 20' long standard lengths) will mean the end user will be required to butt splice certain screen enclosure profiles. Butt splicing will be the most common for top, bottom, and rear wall u-channels but can also sometimes include vertical framing members as long as they are in a u-channel

Cut a piece of your 1737 (1" X 3" extruded U channel) running the full width of your front wall. Attach it to the floor, making sure you are square to the backwall C channel installation (see page 4). *Reminder: If your front wall includes a door placement, measure and mark where your door is to be placed. You will leave 'exactly' a 36" break in the bottom U channel installation for the door installation.* If you are mounting the U channel to concrete or brick, we would suggest using either Tapcon screws or drive anchors to secure the U channel to those surfaces. For all wood surface installation you can punch or drill a starter hole in the aluminum and use an appropriate size wood screw to secured the U channel. Though it is not necessary, you can, in order to waterproof the seal between U channel and floor surface, apply a bead of high quality silicone (screws and silicone purchased locally) to the underside of the U channel prior to securing it to the cement or wood surface.

Please note that due to the many different types and styles of house walls, or cement pads or wood decks you will need to supply your own screws/fasteners to attach the 1737 U-channel to your existing surfaces.

Find the 1739 2" x 3" corner pieces and cut the heights you have determined for your front wall (see page 4). Set the corner pieces into the bottom U channel flush with the ends of your bottom U channel and screw them into place - - two tek screws through the lip of your U channel to the corner post both inside and outside. It is likely that you have been provided with larger 1.5" X 3" (1721) Uchannel for your top U channel. Check and make sure you have enough to run on top of both side walls and the front wall. If not, save them for the side walls and use a piece of your standard 1737 U channel. Cut a piece exactly the same length as the bottom U channel and set it on top of your two corner posts and screw it into place just as you did on the bottom.

The drawing given with your quotation shows the number of verticals you are to use on the front wall, which may even include a door placement (see note above in red). Cut the number of verticals you need and install them in the same manner as the corner posts screwing through the U channel lips, two tek screws each both top and bottom, inside and outside.

If your door installation is on the front wall at a corner you will want to set your corner post in the side wall bottom U channel. **See the graphic and pictures on the next page.**

****Everything "internal" to your kit is supplied - all else will need to purchased locally****

When securing the bottom U channels to your existing surface, it would be sufficient to space your screws or fasteners every 18" to 24" depending on the total length of the installation at hand.

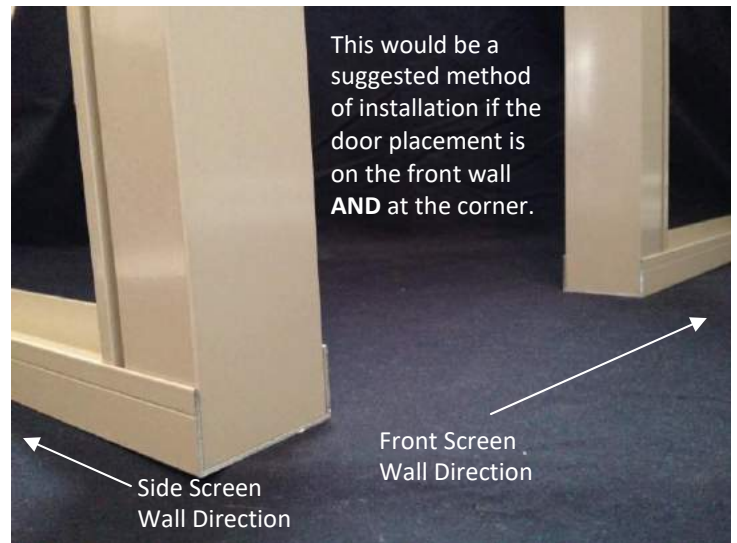
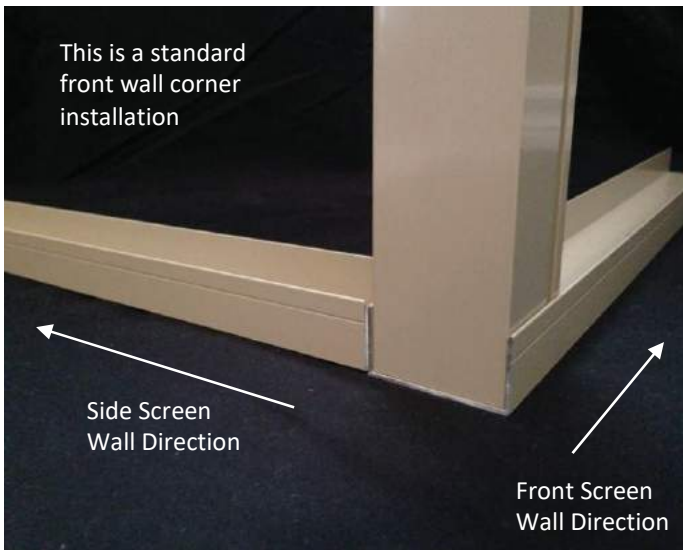
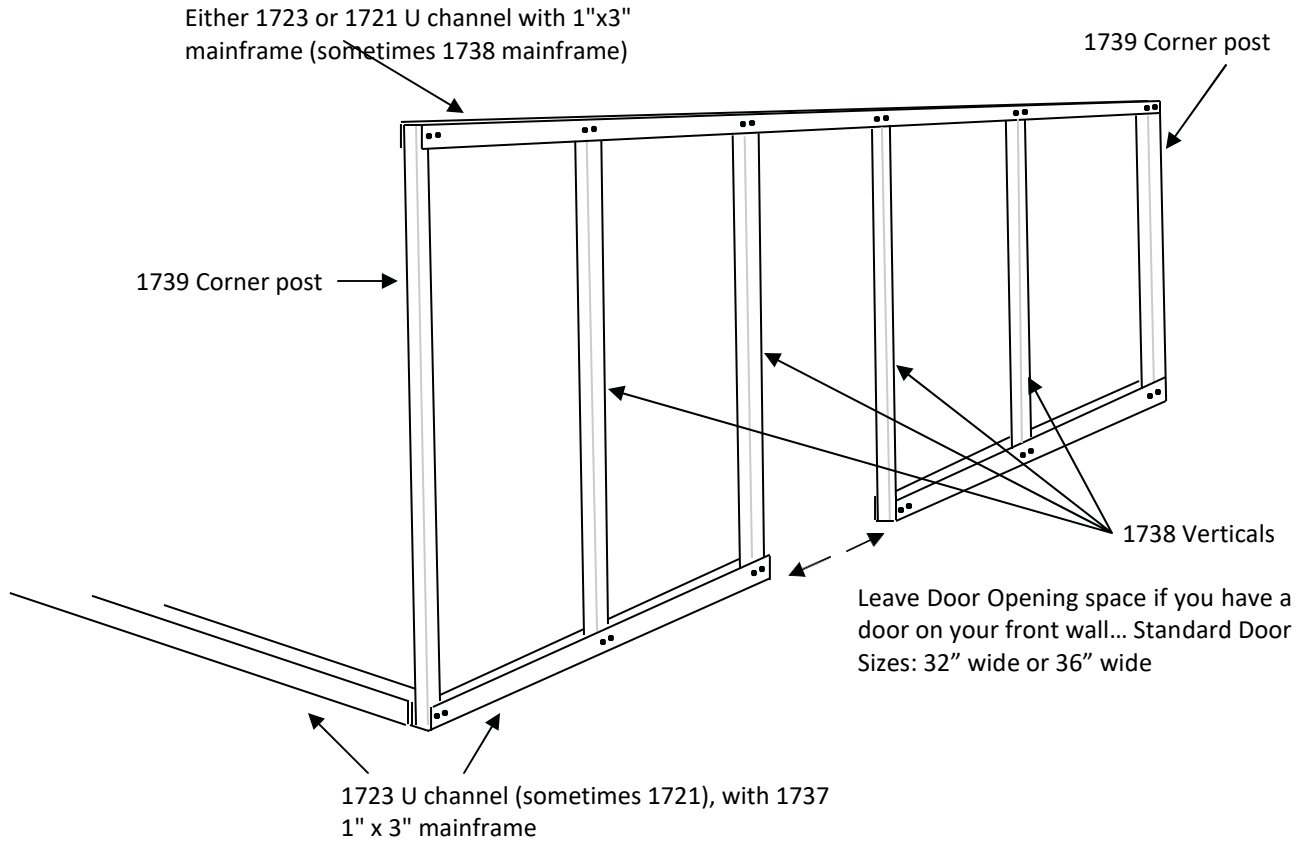


Installation Guidelines

Hard Top Screen Enclosure

Porch & Patio Screen Room

BUILDING YOUR FRONT SUPPORT WALL - continued



Go to Page 10 to start installing your roof panels



Installation Guidelines

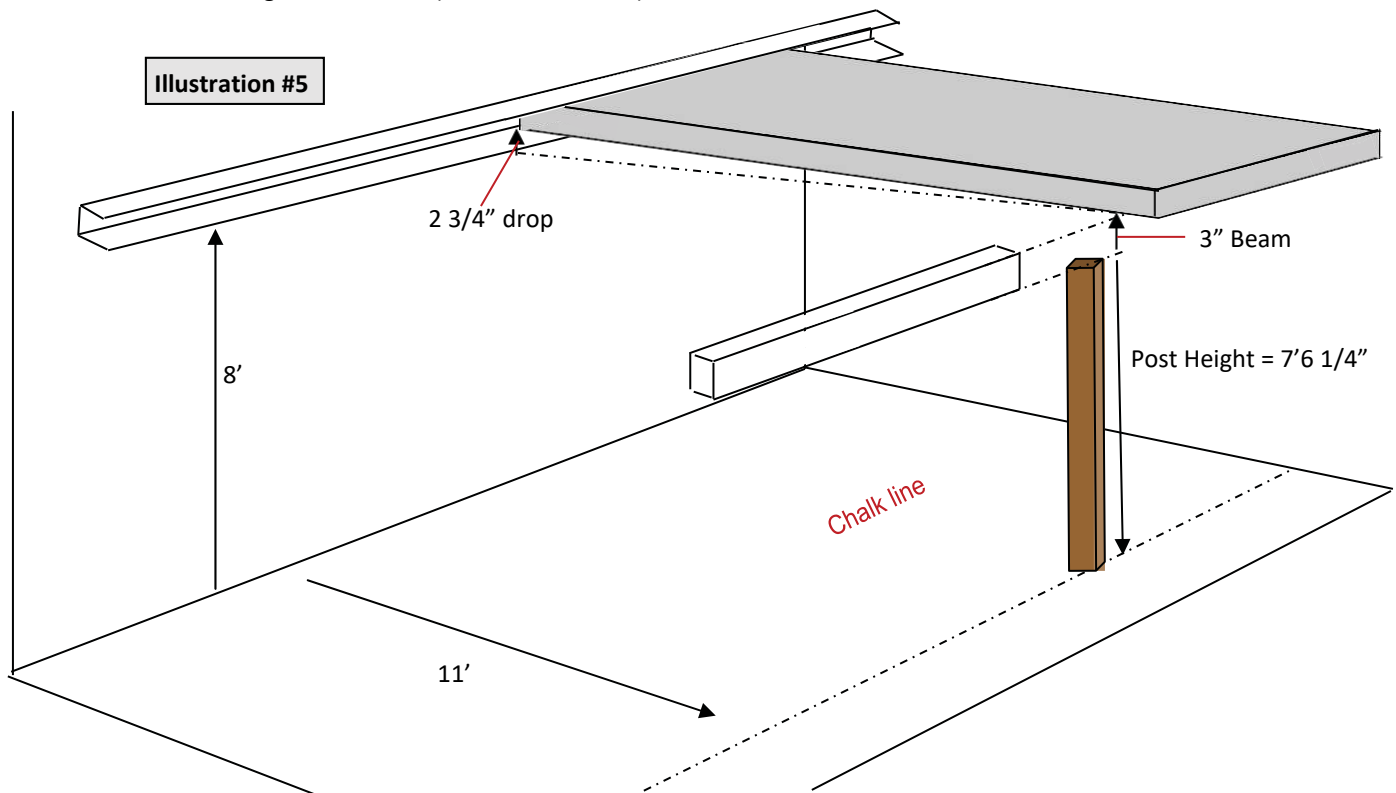
Hard Top Screen Enclosure

Porch & Patio Screen Room

Post Bracket, Post & Beam Installation

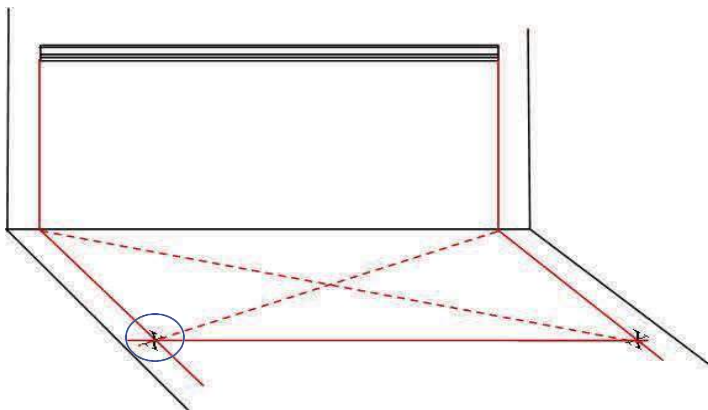
You will need to do the math to determine the finished size of your post and beam assembly. The following example is for a 12' long, 3" thick panel supported at the 11' mark by a 3" x 3" set back beam and 8' posts. *Your numbers should be adjusted accordingly.*

Take the measurement from the deck / patio to the bottom flange of the installed C Channel. For the purpose of this illustration, call it 8 feet. With a pitch of $\frac{1}{4}$ " per foot of projection, the total height of the post & beam assembly will be 8' minus $2\frac{3}{4}$ " ($11 \times \frac{1}{4}$ ") = $7' 9\frac{1}{4}$ ". The beam in this illustration is 3" tall which means the 8' post supplied with the kit would need to be trimmed to a finished height of $7' 6\frac{1}{4}$ ". (See illustration #5)



WARNING: Your post and beam placements MUST be square relative to the rear C channel assembly. One way to achieve this would be to temporarily insert one of your insulated panels into the rear C channel assembly exactly at the left edge and support it with ladders or wooden braces at the height that you have determined as per the instructions above. **(do not do this on a windy day!).** "Square" up the awning perimeter by snapping chalk lines off the ends of the rear C channel installation,

down the wall and plumb to the deck or patio surface. Run another chalk line perpendicular from the line on the wall out along the surface of the decking or patio. Measure the exact distance of the 'on center' distance out to where your posts are to be installed on each of those perpendicular lines and then snap a chalk line connecting those two points. You should be able to drop a plumb line from the underside of the roof panel at the 'on center' point of where the beam will be installed and it should touch the line you have snapped on the deck or patio (blue circle in the drawing on the left). Make sure the measurement from corner to corner on the deck surface is exactly the same. This should give you a square installation.





Installation Guidelines

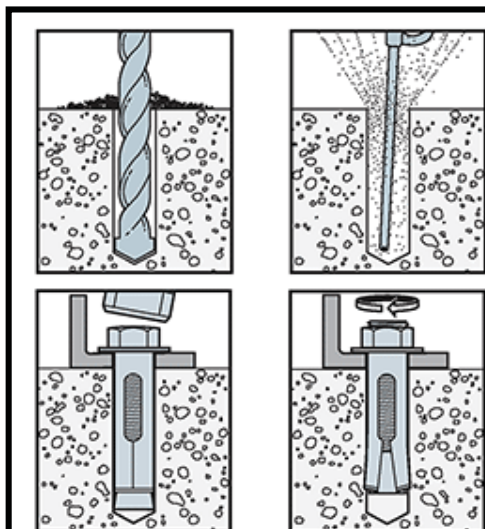
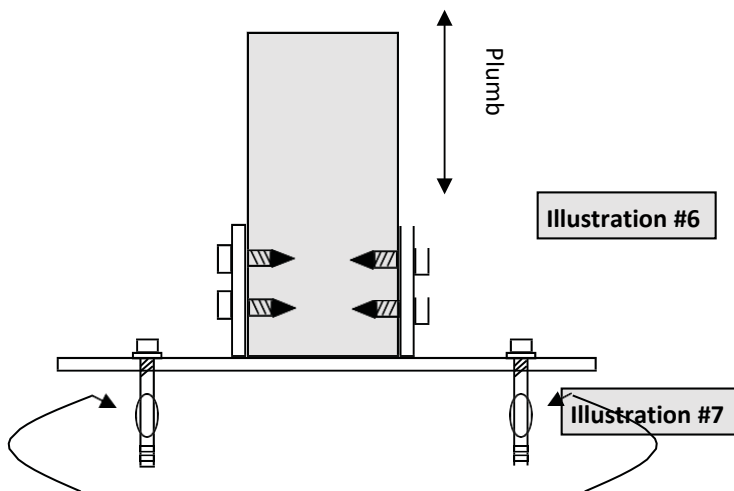
Hard Top Screen Enclosure

Porch & Patio Screen Room

Once you have determined the finished height of your posts you can get ready to install them. Posts should be plumb. In the case of anchoring your posts to a cement surface we recommend they be at least 4" away from the edge of the slab or expansion joint. The bottom brackets have single holes on the bottom flanges. Line up the holes along your chalk line. **Post spacing is indicated in your quotation or in the specials table on our WEB site.**

Attach the bottom brackets with the supplied hardware. (See illustration #6 & #7 below) For those attaching to a wood deck we suggest using nuts and bolts secured to the underside of your deck boards. Alternatively we suggest going through the deck boards with a large lag screw into the support structure below. If you are cementing your posts into the ground, we suggest you ask for posts long enough where at least 2' of the total height of the post is in the ground. (See illustration #8 on the next page)

Once the bottom brackets and post are installed, install the supplied beam. The beam size will have been indicated in your quotation. You will have been supplied with a beam **and** all the beam to post connection hardware. You can see illustrations on the beam to post connections on page 6. (See illustration #9, #10, #11)



Drill a hole in the base material using the carbide drill bit supplied. Drill the hole to the specified embedment depth and blow it clean using compressed air.

Alternatively, drill the hole deep enough to accommodate embedment depth and dust from drilling.

Place the anchor in the fixture and drive into the hole until the washer and nut are tight against fixture.



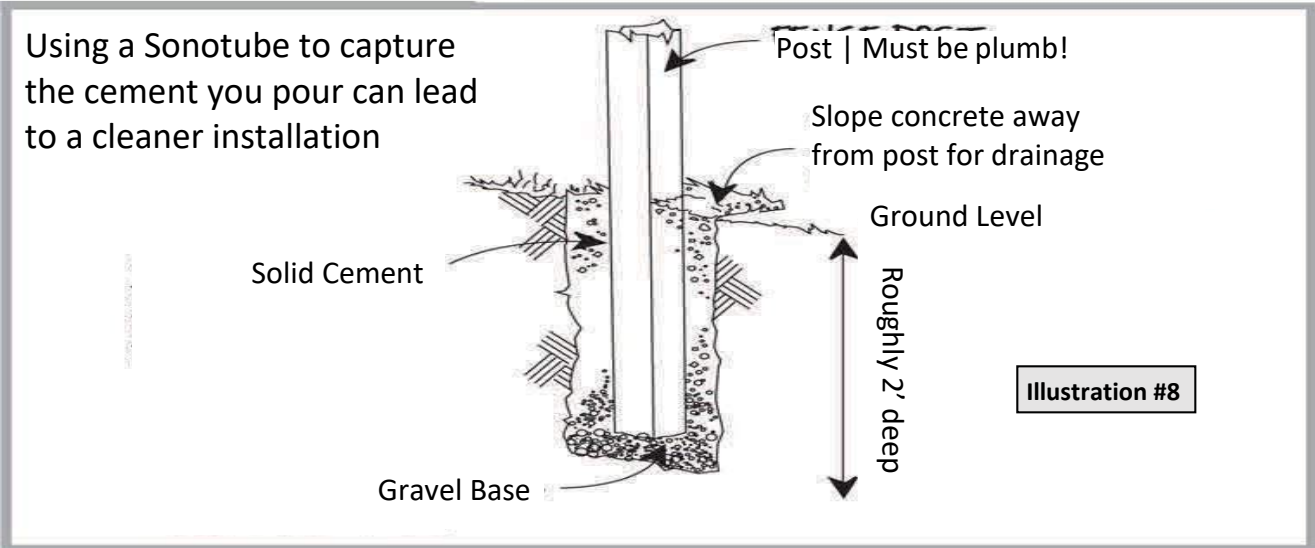
Installation Guidelines

Hard Top Screen Enclosure

Porch & Patio Screen Room

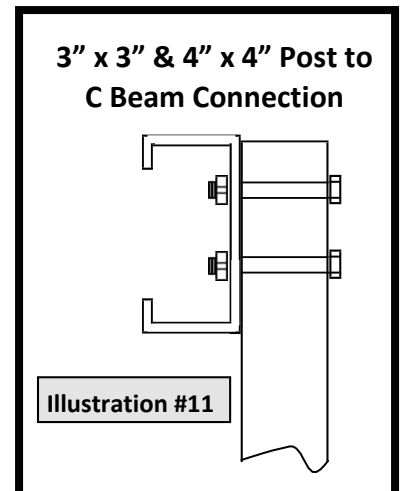
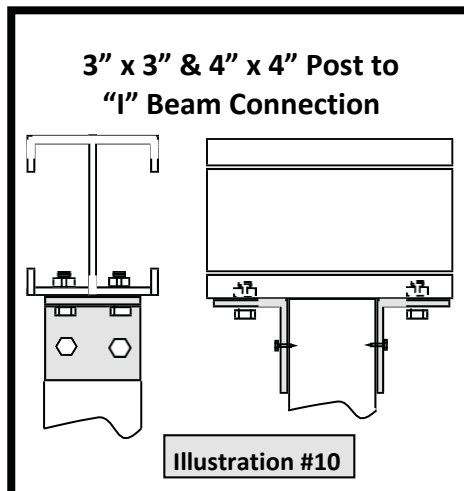
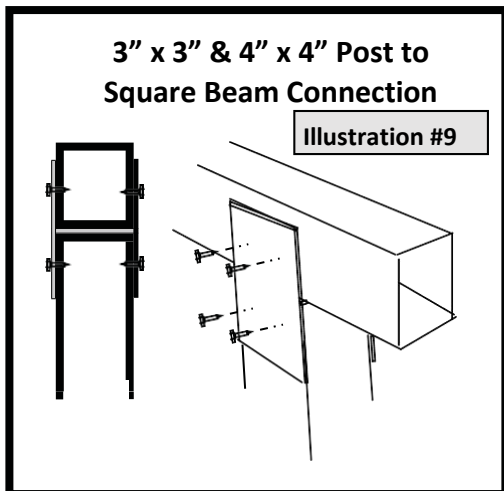
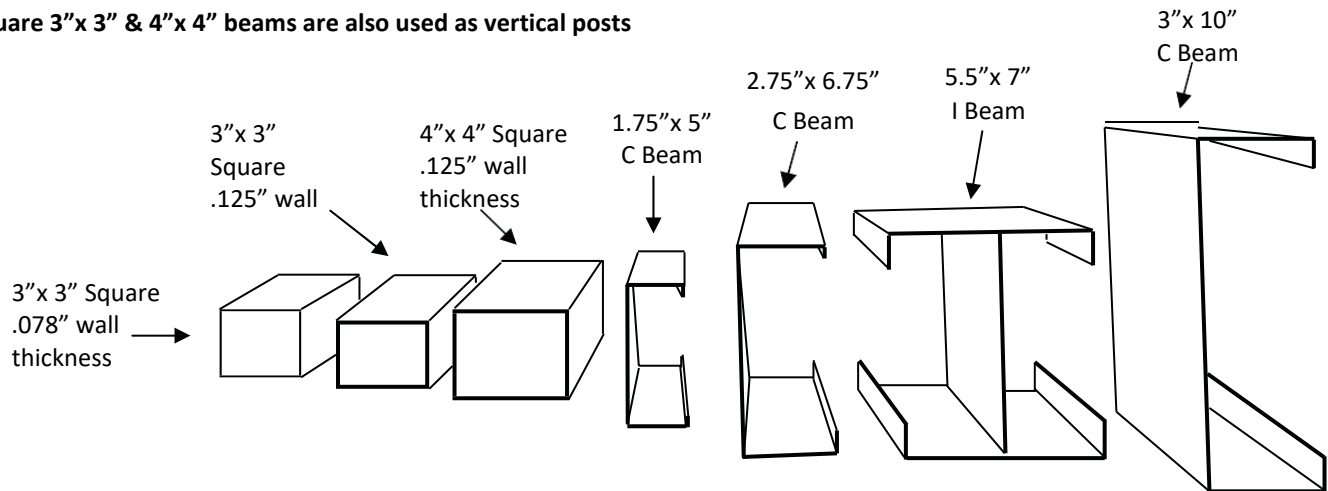
Anchoring your posts in the ground

Using a Sonotube to capture the cement you pour can lead to a cleaner installation



7 Different Sizes of Extruded Aluminum Beams

*Square 3"x 3" & 4"x 4" beams are also used as vertical posts





Installation Guidelines

Hard Top Screen Enclosure

Porch & Patio Screen Room

Insulated Panel Installation

You now have your front screen wall or your posts & beam in place. From the “outside looking in” (OLI) toward the house wall, you will start on the Left Hand Side (LHS). With the female lock on the left, lift your panel into place. We suggest putting a bead of caulking on the underside of the top lip of the backwall C channel prior to pushing the panel into place.

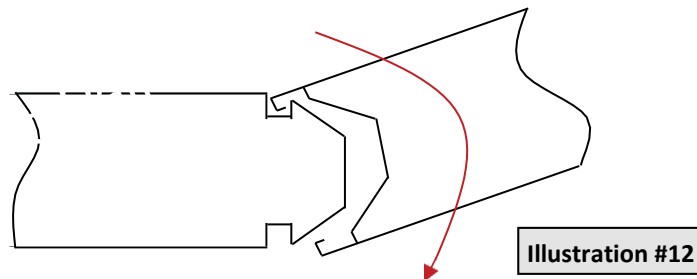
Tip #3. In order to avoid scratching the underside face of the roof panel use cardboard or a soft fluffy cloth on top of the beam or screen wall until you are ready to secure the panel in place.

Once the panel is in place, flush with the left edge of the backwall C channel, secure the panel to the C channel using the 1/2” hex head self tapping Tek screws on both top and bottom flanges, roughly every 8”.

Out front where the panel sits on the beam or screen wall, you will be supplied with large hex head lag screws with neoprene back metal washers, 1” longer than the thickness of the roof you are installing. The screws are supplied for box beam applications. There will be lag bolts with bottom nuts for I beam and C beam installations. We suggest installing (1) lag screw/bolt on the Right Hand Side (RHS) of the panel 5” in from the seam. **DO NOT TIGHTEN ALL THE WAY DOWN SO THAT THE NEXT PANEL HAS ROOM TO SNAP ONTO THIS PANEL.** This will hold the panel in place while you assemble the remainder of the roof.

Tip #4. As you install the rest of the roof tighten the lag screw/bolts so as to create a slight dimple in the top of the roof metal. It does not need to be tightened any more than that!

With the first panel in place, put a bead of caulk on the underside of the top lip of the C channel, put your cloth or cardboard on the beam or front screen wall and put a bead of caulking (supplied) in the top channel of the male lock making sure it is a consistent thickness and with no air pockets. Then take your second panel, position it just outside the C channel, raise it up and gently but firmly, snap it down. (Illustration #12) Then pushing from the front of the cover to toward the house, slide it into place in the C channel. Be sure to do this before the caulking begins to set! Wipe off any excess caulking on the seam. You may secure the panel to the C channel using the 1/2” hex head self tapping Tek screws on both top and bottom flanges, roughly every 8”.



Repeat for all remaining panels. Your last panel will have a male lock protruding past the edge of the roof line. Prior to putting into place, carefully trim off the male lock back to the seam edge. The seam edge should line up with the right hand edge (OLI) of the C channel installed on the house wall. This will also allow you to attach the extruded side fascia, capping the edge of the insulated panel.

To install the remaining lag screws/bolts, snap a chalk line on top of the roof that is centered over your beam or screen wall. Be sure that it runs over top of the center of the first lag screw/bolt you installed in the first panel. Using the chalk line as a guide install the remain lag screws/ bolts. We suggest putting a bead of caulking down around the lag screw/bolt prior to finally tightening it down on the roof.

You will use (3) three lag screws/bolts on every 4’ wide panel and (2) on every 2’ wide panel. Always be sure the outside lag bolts/screws are at least 5” in from the seam edges.



Installation Guidelines

Hard Top Screen Enclosure

Porch & Patio Screen Room

Finishing Your Insulated Panel Installation

Before going any further, take your side fascia extrusion and bring it up to the end of your front gutter extrusion. Understand how they are going to fit together on your roof. The side fascia will cap both the back wall C channel as well as each end of your front gutter.

Cut your front gutter extrusion to the exact width of your finished roof. Put a bead of caulking on the underside of the top lip before you slide it in place on the front of your roof panels. Use the 1/2" self tapping Tek screws to attach the top and bottom flanges to your roof panels. Wipe off any excess caulking. Next cut the exact length of side fascia you need to run from the house wall to the front gutter, capping the end of the gutter itself. Again put a bead of caulking on the underside of the top lip before you slide it in place on the side of your roof panels. Use the 1/2" self tapping Tek screws to attach the top and bottom flanges to your roof panels. Wipe off any excess caulking. Do the same for the other side. Be sure to caulk the joint where the fascia caps the gutter.



We supply a white tar tape to finish off each of the seams on the top of your unit. Because the caulking you have applied thus far is likely still setting to some degree, we strongly suggest, before you get up on your roof, that you temporarily support your roof from underneath, at the half way mark of the projection, with padded 2x4 bracing. This will minimize the flexing at the seams as you apply the tar tape. Apply the tape to every seam on the top of your roof. This will include the seams between panels as well as all the seams where the backwall C channel, side fascias and front gutter sit on the roof top.

Make sure to put a large bead of caulking on top of each lag screw so as to prevent a water build up in the "dimple."

We have provided scuppers (see picture off to the side) to drain your front gutter. If you choose to purchase downspouts locally, please follow their directions for downspout installation.

Lastly, due to the design of the panel and the patented snap lock design, it is almost impossible for the panel to leak at the seams. In any patio cover installation, the most critical leak point is where the unit meets the existing structure. We would strongly suggest you use your local supplier to talk about which type of flashing best suits your application. Naturally, if your installation is under an existing soffit, it



You will now be moving on to finish the installation by installing your screen walls

DISCLAIMER: This document is intended as a 'guide' only. There are far too many variables within existing structures for us to address each and every one. As such this kit is very adaptable. Assembling this "materials supplied kit" will require patience & common sense. If you have any doubts about the action you should take we will gladly lend our expertise... please call us toll free T 1.800.922.4760. Screenhouses Unlimited will not be responsible for errors in cuts made to the material. If we can reasonably demonstrate that you had enough material to complete the job, you will need to purchase additional material. We will always work to get the material to you in the cheapest and fastest manner possible.



Installation Guidelines

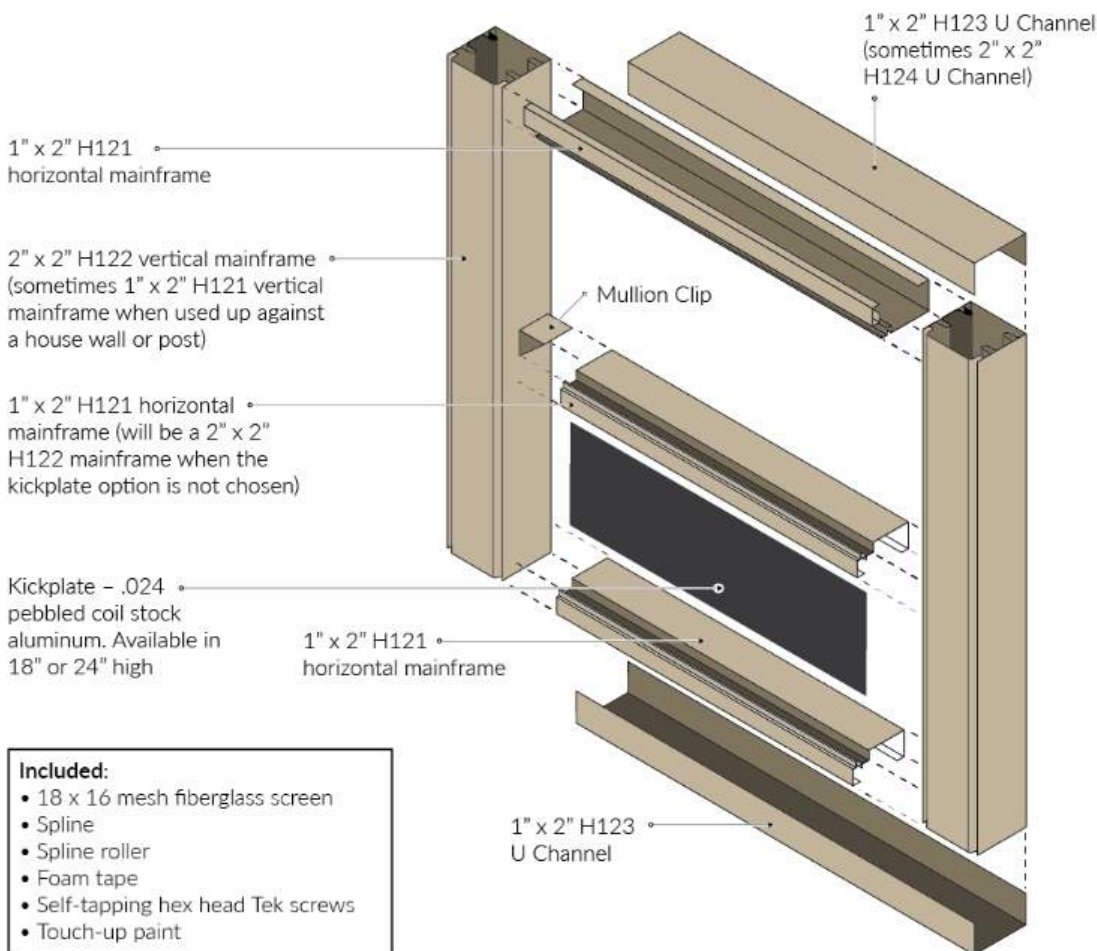
Hard Top Screen Enclosure

Porch & Patio Screen Room

The following pages outline the installation of your screen walls. If you have installed a beam and a set of posts to support your insulated roof, then the following instructions apply.

If you have installed a screen wall to support your insulated roof, the following instructions apply **EXCEPT...**

You DO NOT need to install vertical U channels and mainframes on your H120 corner posts. Do not treat them as existing posts as described in the following instructions. They have spline grooves for both front and side screen & spline installation built in and you do not need to install additional material on the H120 corner posts. Follow all other instructions to finish your front wall installation and your side wall installations.



Included:

- 18x16 mesh fiberglass screen (other types available on request)
- Spline
- Spline roller
- Foam tape
- Self tapping hex head Tek screws
- Touch up paint
- 32"/36" Screen door
- All aluminum framing
- 18"/24" kickplate (optional)
- mullion clips

Included:

- 18 x 16 mesh fiberglass screen
- Spline
- Spline roller
- Foam tape
- Self-tapping hex head Tek screws
- Touch-up paint

NOTE: The above diagram is for the 2" x 2" system. The configuration is the same for the 2" x 3" system.

Between the guidelines given below and the drawing you received with your quotation you should have everything you need to assemble your unit. If you need clarification on any point of the assembly we will be glad to help. Before cutting anything, please lay out the material you have been given and understand how each piece is to be cut and placed, so that you know you have enough material to do the job. Always call before cutting if you are in doubt about anything.. Our hours of operation are posted on our website for your convenience.

NOTE: When quoting a screen walls only system, we do our best to make the smartest use of materials in order to keep the pricing as reasonable as possible. Sometimes, the most efficient use of materials (due to the extrusions only being available in 16' long and 20' long standard lengths) will mean the end user will be required to butt splice certain screen enclosure profiles. Butt splicing will be the most common for top, bottom, and rear wall u-channels but can also sometimes include vertical framing members as long as they are in a u-channel

Install the 1723 (0.68" X 3" U channel) to the floor, the underside of your existing roof-line and all vertical surfaces (house wall / existing posts). You can choose to miter cut the U channels where they meet at the corners, however the most common and easiest choice for installation is to install both top and bottom U channels running completely from wall to wall or post to post and then install the vertical U channels (on posts or house wall) between the top & bottom installation. Depending on the pitch of your existing roof line along the projection, we will, from time to time provide an 1721 (1.5" X 2") U channel for the underside of the roof line along the projection. This will allow for more room to hide the cuts of all vertical mainframe extrusions inside the U channel.

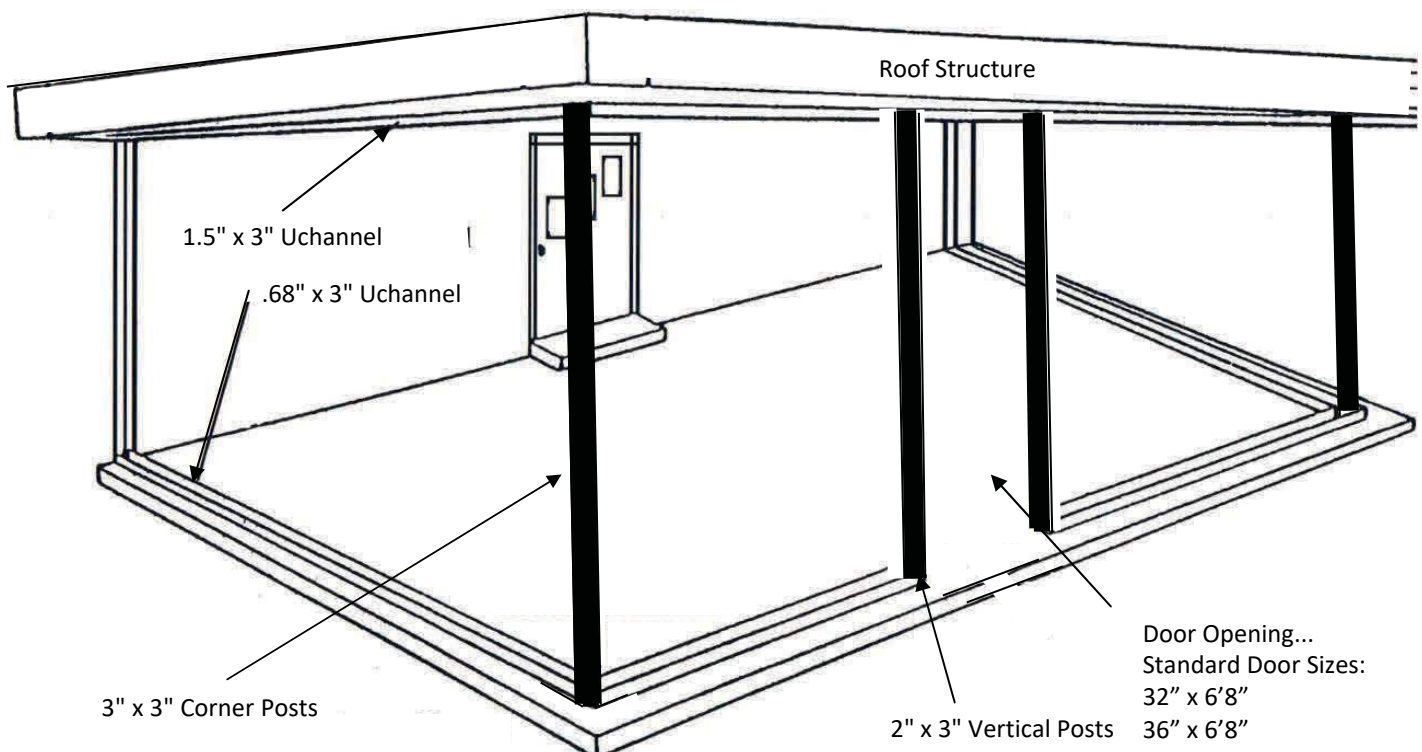
In your hardware box you will find a roll(s) of 3/4" X 3/4" foam tape. You may choose to use this on the back of the vertical U channel installations in the case of an uneven or rough vertical surface, such as brick or step siding.

If you are mounting the U channel to concrete or brick, we would suggest using either Tapcon screws or drive anchors to secure the U channel to those surfaces. For all wood surface installation you can punch or drill a starter hole in the aluminum and use an appropriate size wood screw to secured the U channel. Though it is not necessary, you can, in order to waterproof the seal between U channel and floor surface, apply a bead of high quality silicone (purchased locally) to the underside of the U channel prior to securing it to the cement or wood surface.

Please note that due to the many different types and styles of house walls, or cement pads or wood decks you will need to supply your own screws/fasteners to attach the U-channel to your existing surfaces.

It would be sufficient to space your screws or fasteners every 18" to 24" depending on the total length of the installation at hand.

****Everything "internal" to your kit is supplied - all else will need to purchased locally****



Cut and Install the 1737 (1" X 3") mainframe in the U channel previously installed on the house wall or existing post. You will use the U channel as means of plumbing the 1x3 mainframe. Secure the 1737 mainframe in U channel using the supplied self tapping hex head Tek screws. Secure the mainframe with the Tek screws on both sides.

Four (4) Tek screws per 8 ft. length on each side is sufficient.

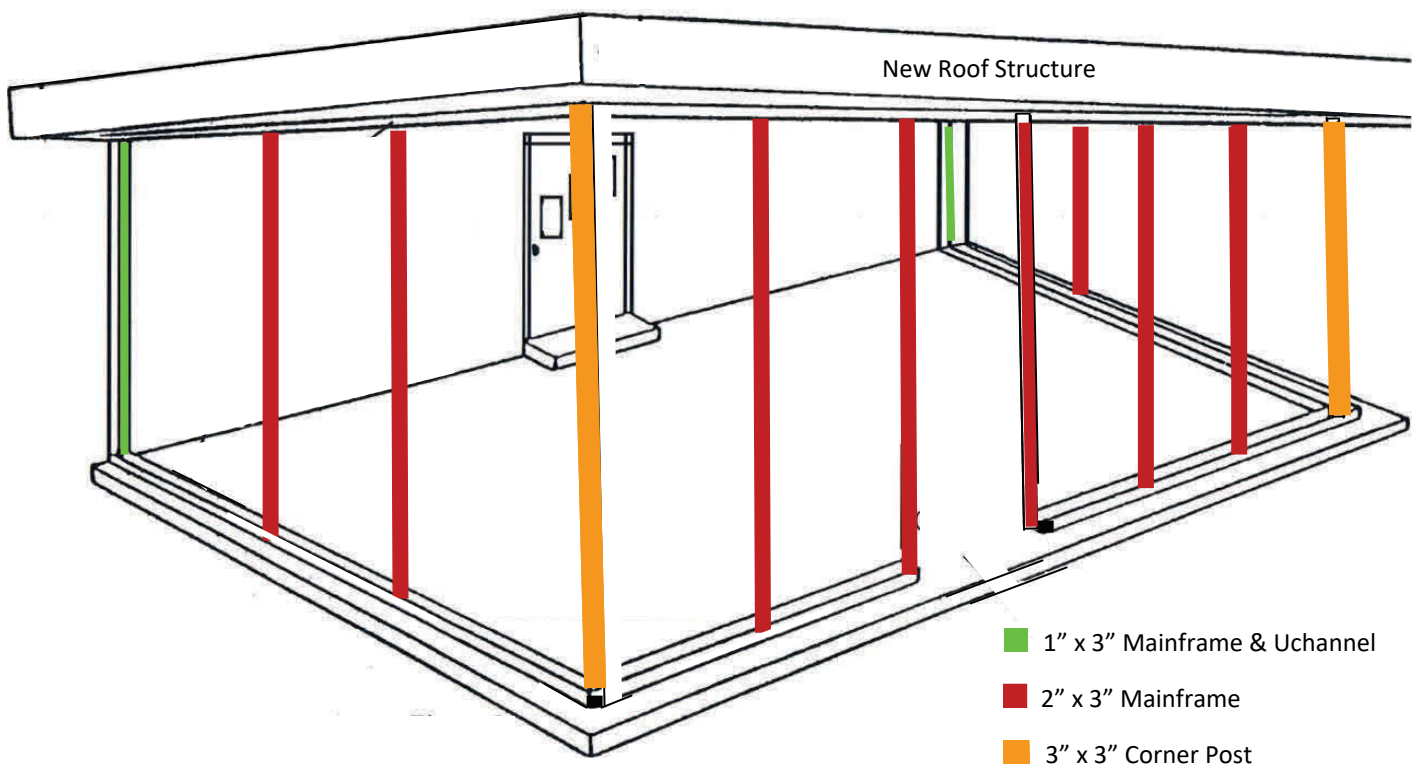
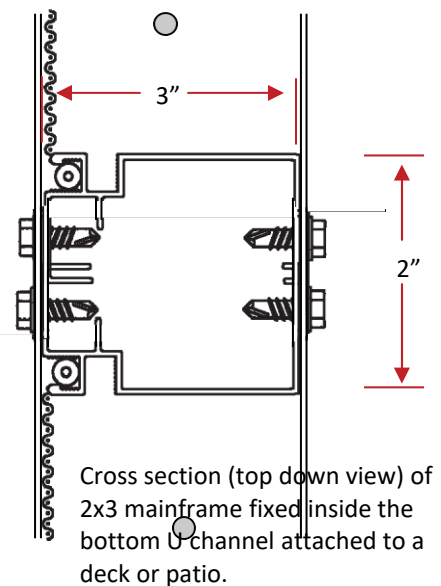
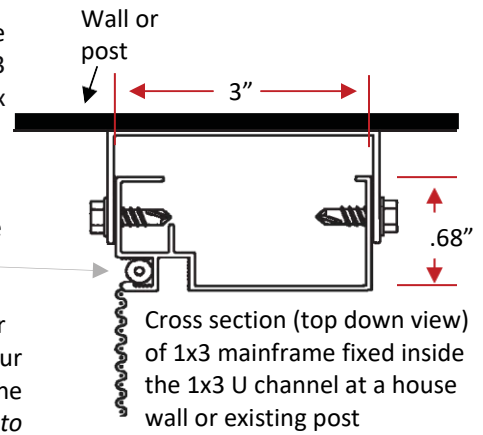
Note: Be sure not to place 1737 all the way down into the U-Channel as you must leave the spline groove exposed for screening, as illustrated on the right.

Typically, the 1x3 mainframe will be used going up every existing vertical surface in your application (illustrated below in the 'green lines.' However it will depend on your application, since 2x3 mainframe can be used as well. It is attached the same way as the 1x3 mainframe. ****Consult the drawing that came with your quotation, prior to purchase, to confirm which profile of mainframe is to be used against existing surfaces in your application.**

Next install the 1738 (2" X 3") vertical mainframes. You will space them apart based on the spacing indicated in the drawing that came with your quotation prior to making your purchase. **NOTE:** Spacing indicated in your drawing is post / house wall to centerline of vertical and centerline of vertical to vertical. You do not have to worry about being precise with this cut (length of vertical) since any small indiscretion will be hidden inside the top and bottom U channel. Additionally the spacing between verticals is flexible (1/2" to 1") as long as you do not exceed the width (-1") of the screening provided.

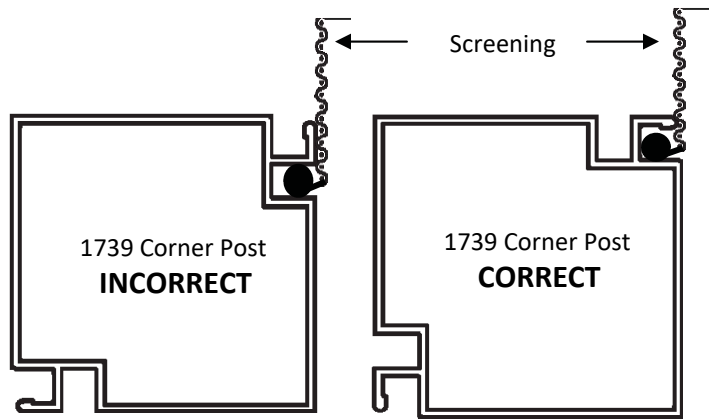
Secure the 1738 in place, inside the top and bottom U channel, by using the self tapping hex head Tek screws. Secure both top and bottom and on both sides as illustrated on the right.

Finally, install 1738 2" x 3" mainframes on either side of door opening, making sure they are plumb and have enough space between to accommodate the door to be installed. For example, if you have a 36" door you will need a 40" opening... install a 2" x 2" on either side, leaving exactly 36" for your door installation. Once again, refer to your drawing that came with your quotation, prior to purchase, to be sure of what you need to do for your application.



There will be applications that do not use existing posts for their screen wall installation. In such cases we supply the 1739 (3" x 3") corner posts so that you can screen two walls that come together at 90 degrees. You will need to pay attention to the installation of the corner posts as they can be installed **upside down**, resulting in an improper screen and spline installation (the screen will pop out easily!)

Be sure your corner posts are installed **right side up** so that screen/spline is inserted into the lipped spline groove- *not* the kickplate groove as illustrated on the right.

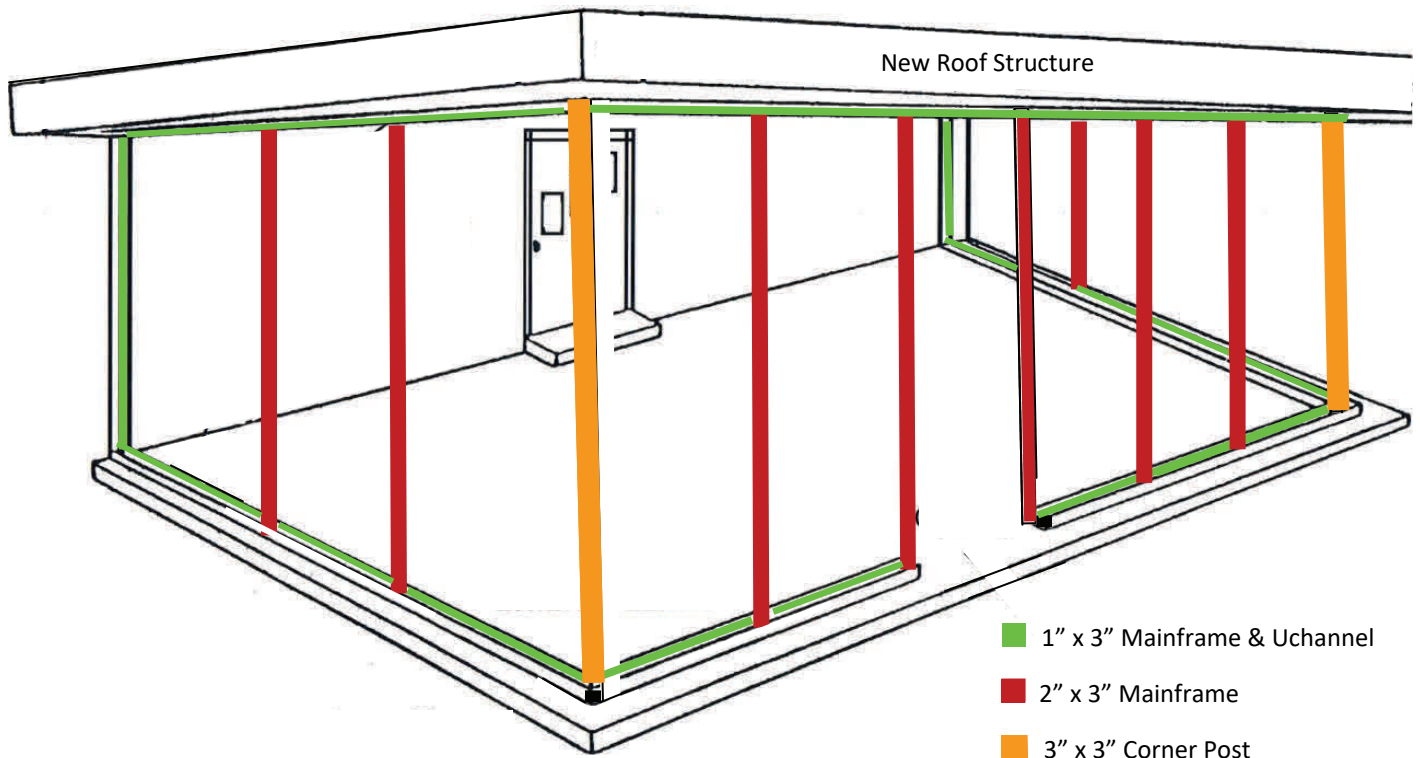
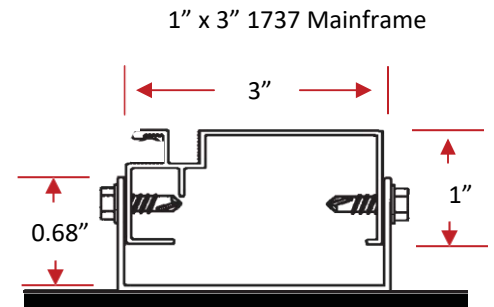


TIPS:

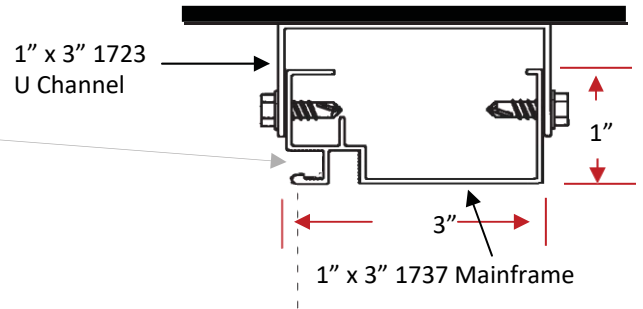
1. If you plan on putting your door in the first section against the house wall, or on a post use 1738 (2" X 3") instead of 1737 (1" X 3") in the wall channel. This will be accounted for in your materials we have supplied.
2. There is no **bottom** U channel nor 1" x 3" mainframe in door openings.

STEP 3: INSTALL HORIZONTAL MAINFRAMES

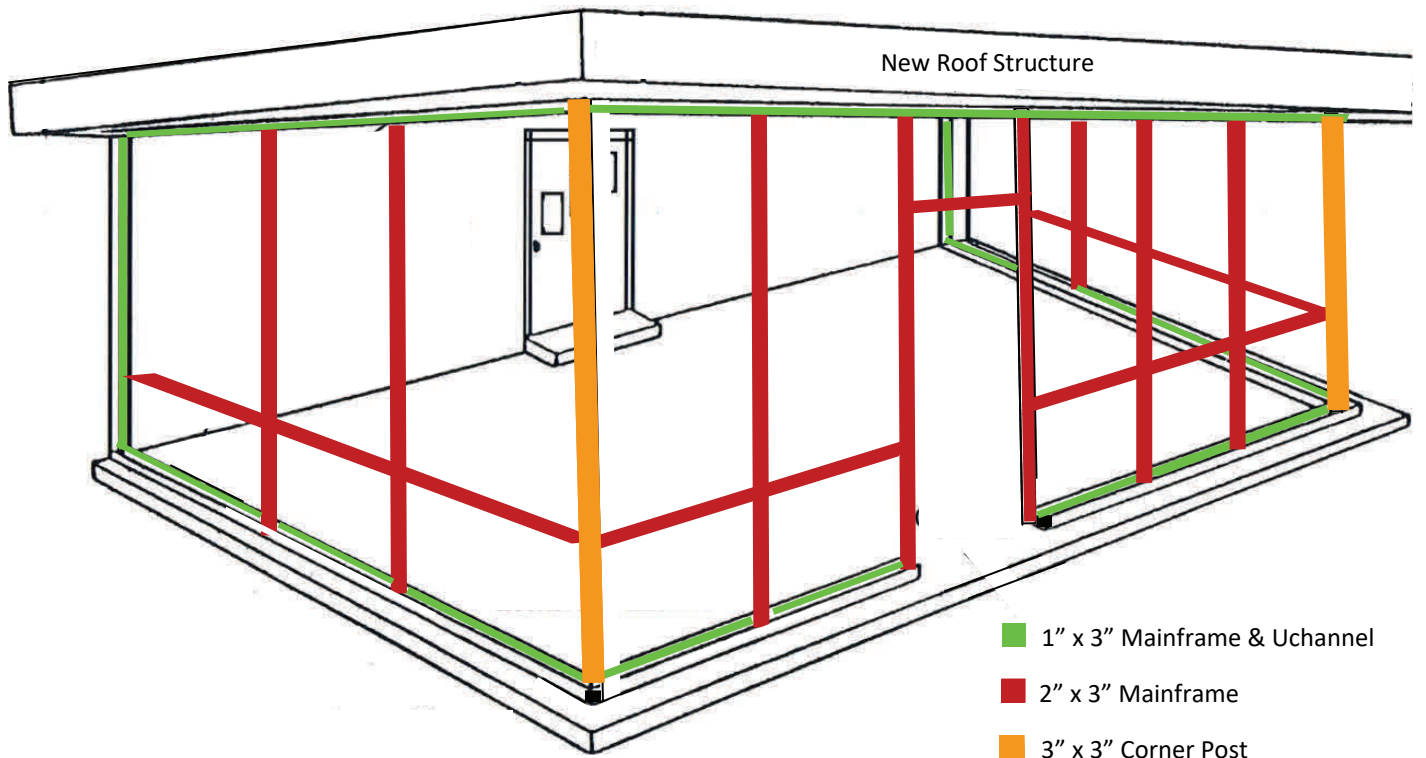
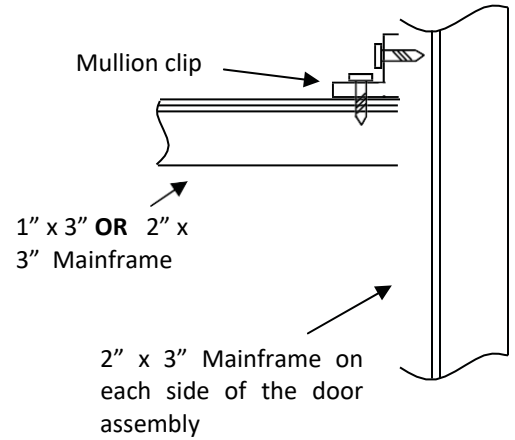
Cut the 1737 (1" X 3") mainframes to fit between the vertical framing members and install in bottom channels using the self tapping hex head screws provided. Be sure to not drop the 1" x 3" all the way down in the U-channel as you must leave the spline groove exposed for screening. Place at the proper level to keep spline groove exposed and then assemble with the self tapping hex head screws provided. You can see this illustrated to the right...



Cut the 1737 (1" X 3") mainframes to fit between the vertical framing members and install in the top channels using the self tapping hex head screws provided. Be sure to not push the 1x3 mainframe all the way up in the U-channel as you must leave the spline groove exposed for screening. Place at the proper level to keep spline groove exposed and then assemble with the self tapping hex head screws provided. You can see this illustrated to the right...



Install 1" X 3" (1737) at door head 80" from floor, or if your unit will have a chair rail and no kickplate, install 2" X 3" (1738) at door head 80" from floor. See illustration to the right.

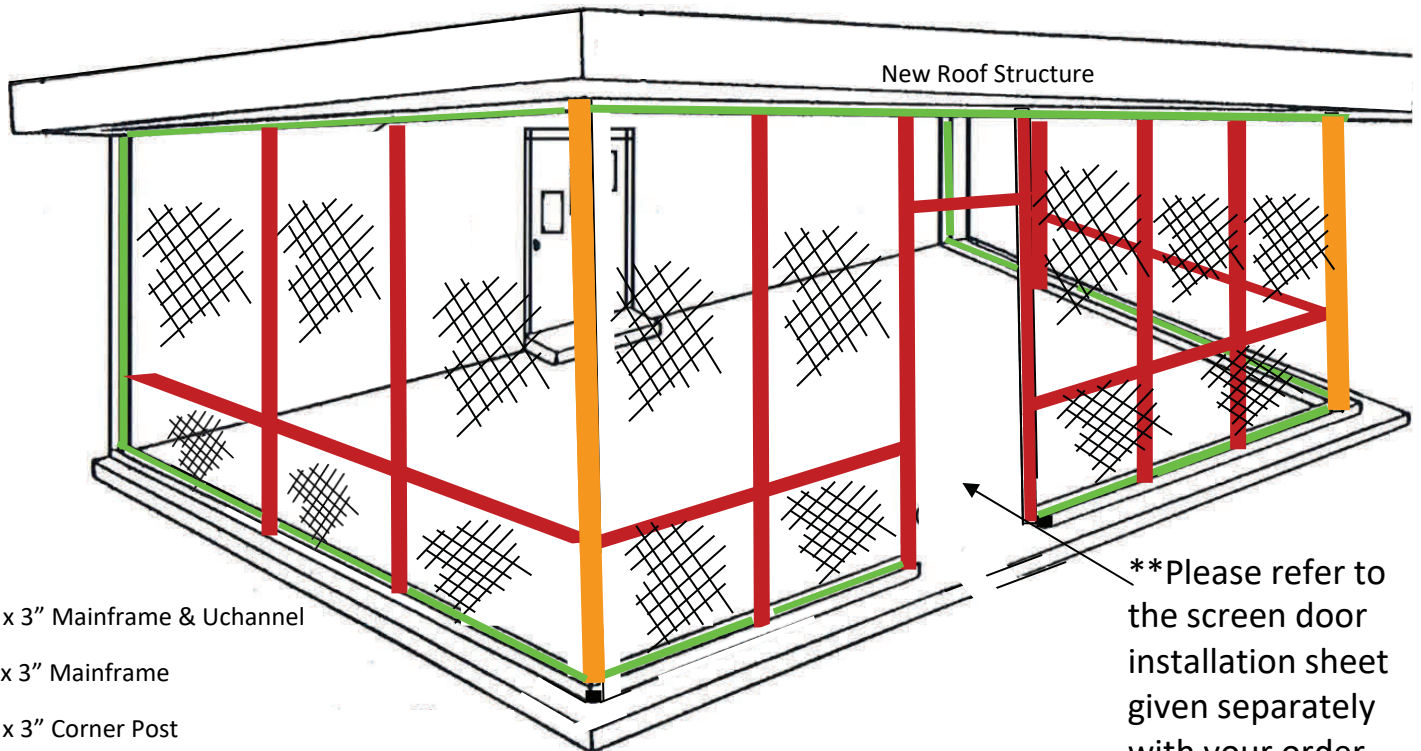
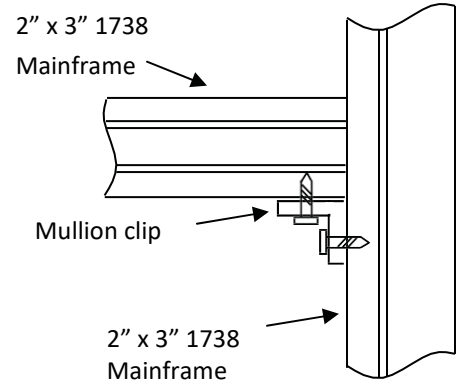


NO KICKPLATE OPTION

***If you chose the kickplate option please go to next page**

Cut and install the 2" X 3" (1738) mainframe to fit between vertical 2"x3" that you installed earlier. You may install the 2" x 3" horizontal at any height you wish. We would recommend sitting in your favorite outdoor chair, and install the 2" x 4" horizontal at a height that does not interfere with your sightline into your backyard.

Screw one of the mullion clips supplied in your kit to the 2" X 3" (1738) vertical at the desired height. Place your cut piece of 2" X 3" horizontally on top of this clip and screw the clip to the underside of the 2" X 3" on that one side. Then place a level on the 2" X 3" horizontal before installing the H126 clip on the other side, to insure your mullion is level. Spray mullion clip with touch up paint (if desired) before installing screen mesh later in these instructions.



- 1" x 3" Mainframe & Uchannel
- 2" x 3" Mainframe
- 3" x 3" Corner Post

****Please refer to the screen door installation sheet given separately with your order.**

STEP 4: FINAL STEP - NO KICKPLATE OPTION (cont'd)

INSTALL SCREENING

Using the supplied screen, spline and spline roller, you will be screening both the top and bottom sections of each screen panel you have put together. We suggest rolling the spline and screening into the vertical spline grooves first, where the most tension on the screen will be at the mid-point of the vertical installation. Once you have both sides started you can have someone apply a light inward pressure with their hand on the screen as your roll the spline in. You can also try dragging the tip of your fore finger on the screening out in front of your spline as you roll to prevent the spline from pulling the material too tight. Effectively, you are screening from side to side first, pulling the screen taut but not overly so. Then finish off the section by rolling the spline and screen into the horizontal spline grooves. You will use 4 pieces of spline per section rather than one continuous piece of spline. Trim off excess screening by running a sharp blade (razor or box knife) along the back edge of the spline.

****You will need to take extra care not to pull the screen too tight on the up & down dimension. You may warp the horizontal center bar off 'straight.'**

KICKPLATE OPTION *If you opted not to have a kickplate please go to the previous page

Cut (or score and snap with a box knife) and install kickplate sections. Kickplate sections should be cut 3/8" longer than the opening width between vertical framing. Slide the kickplate into place (see second illustration on the right).

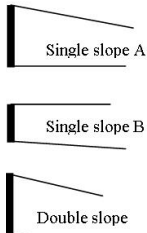
Cut and install the 1" X 3" to fit between vertical framing members right above the kickplate.

Temporarily set 1x3 over kickplate and make sure the kickplate slides completely into the designed groove in the H121 (see the first illustration on the right). Once it is firmly seated, take a mullion clip and slide it up under the H121 to where it meets each vertical framing member. With a pen, lightly mark the 2" X 3" vertical framing member where the clip ends with a line. Then remove the 1" X 3" and screw the mullion clips (one per side) to the vertical 2" X 3" framing members using your mark as a guide for the bottom of the clip. As another reference, the top of the clip should be about 1/4" above the top of the kickplate.

To accommodate the slope of the ceiling, floor or both, you must keep the top of the kick plates even from one opening to the next. You can use a string, running the full width of the opening, to accomplish this.

The bottom of each kickplate section can be trimmed according to the slope of your application.

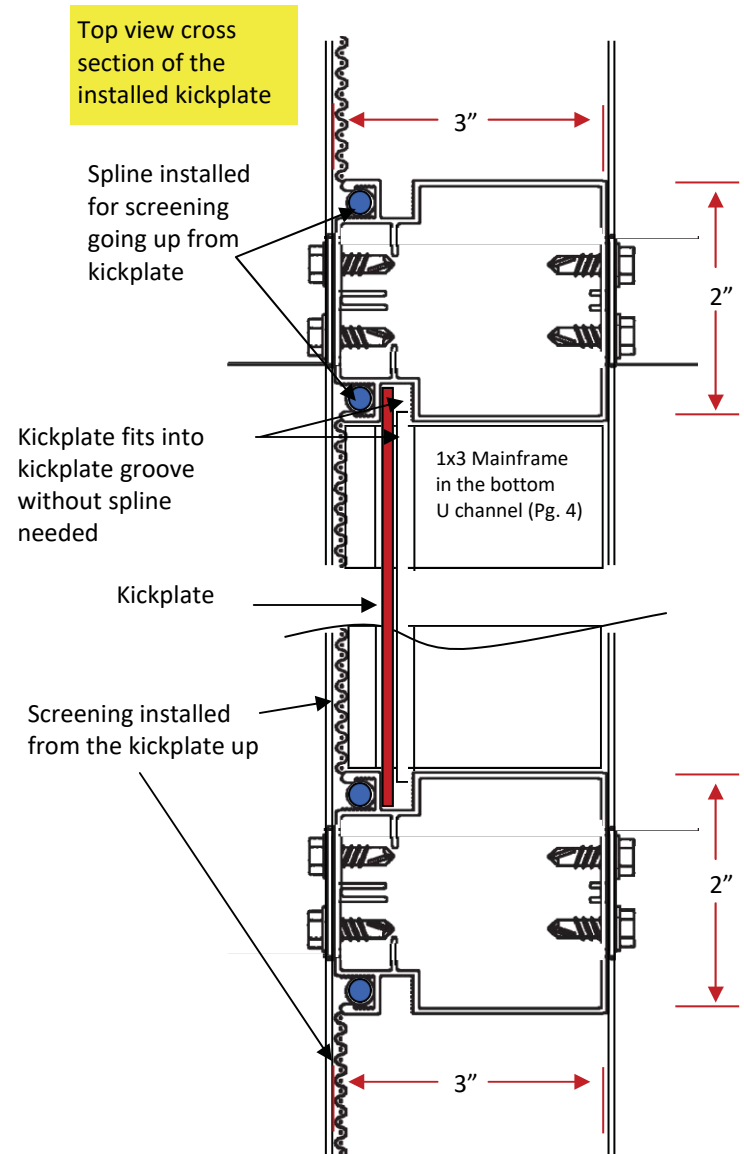
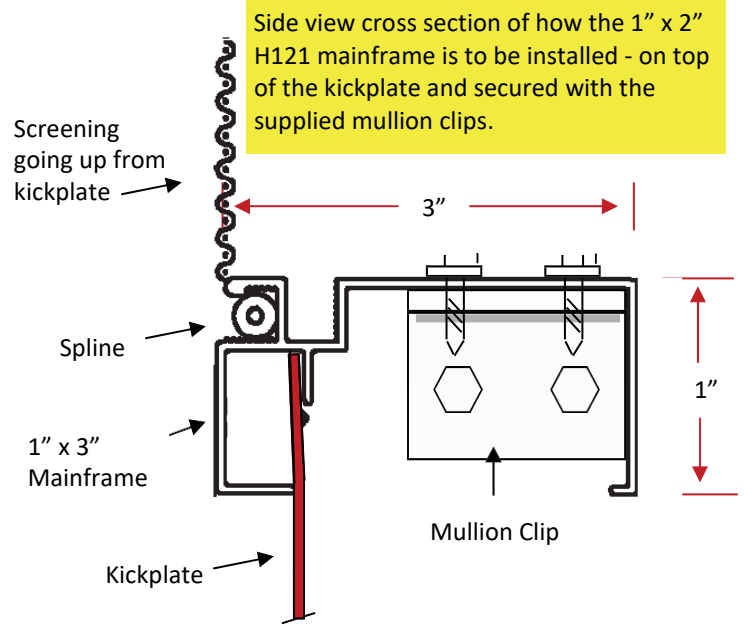
Note: Be mindful of the 'slope' of the 2"x3" mainframe. Your existing construction will likely look like one of the 3 examples shown here. For example in the 'single slope B' scenario you will need to decide whether or not you will choose to run the mainframe on top of the kickplate parallel with the slope of your existing deck or patio or with the existing roof line.



Still using the 'single slope B' example above, if you install the 1x3 mainframe on top of the kickplate to run parallel to your roof line, your kickplate will get slightly larger on the "outside" vertical measurement, as you move away from the house wall to the front of your installation. The alternative is to run the kickplate perfectly parallel to the mounting surface (deck or patio) and the top screen section "outside" vertical measurement, will increase slightly as you move away from the house wall to the front of your installation.

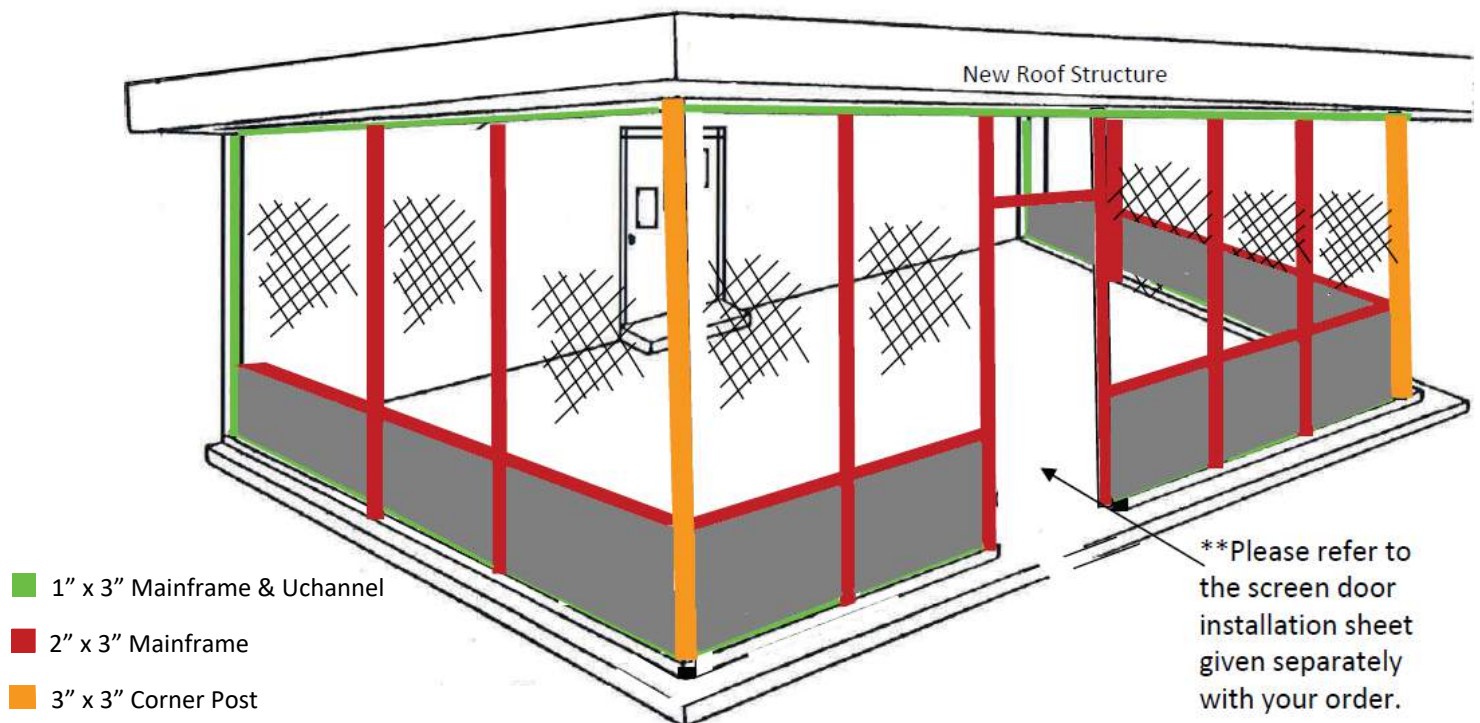
Place the 1" X 3" mainframe on the mullion clips you have just installed and screw down into the clips with the supplied self tapping hex head Tek screws.

Finish off each kickplate installation by securing a piece of spline on each side (vertically) and on the bottom 1x3 U channel kickplate grooves.



KICKPLATE OPTION

If you opted not to have a kickplate
please go back to page 6



STEP 4 A: FINAL STEP - KICKPLATE OPTION

INSTALL SCREENING

Using the supplied screen, spline and spline roller, you will be screening both the top and bottom sections of each screen panel you have put together. We suggest rolling the spline and screening into the vertical spline grooves first, where the most tension on the screen will be at the mid-point of the vertical installation. Once you have both sides started you can have someone apply a light inward pressure with their hand on the screen as your roll the spline in. You can also try dragging the tip of your fore finger on the screening out in front of your spline as you roll to prevent the spline from pulling the material too tight. Effectively, you are screening from side to side first, pulling the screen taught but not overly so. Then finish off the section by rolling the spline and screen into the horizontal spline grooves. You will use 4 pieces of spline per section rather than one continuous piece of spline. Trim off excess screening by running a sharp blade (razor or box knife) along the back edge of the spline.

****You will need to take extra care not to pull the screen too tight on the up & down dimension.
You may warp the horizontal center bar off 'straight.'**

DISCLAIMER**

This document is intended as a 'guide' only. There are far too many variables within existing structures for us to address each an every one. As such this kit is very adaptable. Assembling this "materials supplied kit" will require patience & common sense. If you have any doubts about the action you should take we will gladly lend our expertise... please call us toll free. Screenhouses Unlimited will not be responsible for errors in cuts made to the material. If we can reasonably demonstrate that you had enough material to complete the job, you will need to purchase additional material. We will always work to get the material to you in the cheapest and fastest manner possible.