

## PLATUS SERIES

### Fire Clay Undermount Large Bar/Prep Sink

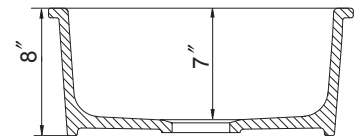
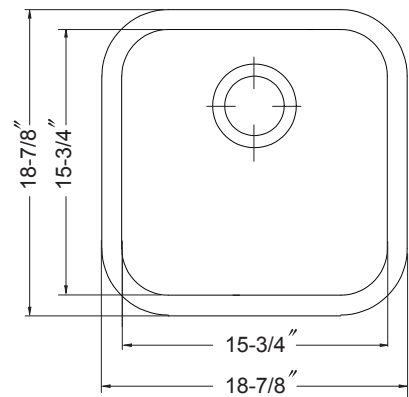
- Model** PTB-1919 WH - White  
 PTB-1919 BQ - Biscuit  
 PTB-1919 BL - Matte Black  
 PTB-1919 GR - Matte Gray



PTB-1919

### FEATURES

- Non-porous glossy surface
- 7" depth
- 3-1/2" drain opening
- Chip, crack and scratch resistant
- 4 distinctive colors
- Fits 24" sink base
- Supplied with fasteners and instructions
- No cut out template is supplied as each sink dimension will vary due to the nature of fireclay manufacturing process.
- Lifetime Limited Warranty



### OPTIONAL COLORS



**White      Biscuit      Matte Black      Matte Gray**

Color variations possible due to printing constraints.

OVERALL DIMENSIONS	EACH BOWL	PACKAGING*	WEIGHT*
18-7/8" x 18-7/8"	15-3/4" x 15-3/4"	1/10 pcs.	40/440lbs.

\*Standard packaging: Single boxed /Pallet of single boxed.  
 All dimensions are in inches. Specifications subject to change without notice.

### OPTIONAL ACCESSORIES

- Bottom Grid: BG-7070  
 Strainer : 190-9180

Project/Job name \_\_\_\_\_

Architect/Engineer \_\_\_\_\_

Contractor \_\_\_\_\_

Model \_\_\_\_\_ Q'ty \_\_\_\_\_

Notes \_\_\_\_\_