

## PLATUS SERIES

### Fire Clay Apron Front Single Bowl Model

PTS-4100 WH - White

PTS-4100 BQ - Biscuit



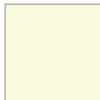
PTS-4100

### FEATURES

- Apron Front Installation
- Non-porous glossy surface
- 9-1/4" depth • 3-1/2" drain opening
- Chip, crack and scratch resistant
- 2 distinctive colors
- Requires Custom Cabinet
- Supplied with fasteners and instructions
- No cut out template is supplied as each sink dimension will vary due to the nature of fireclay manufacturing process.
- Complies with ASME A112.19.2 and CSA B45.1-2013 standards Certified by ICC-ES PMG
- Lifetime Limited Warranty



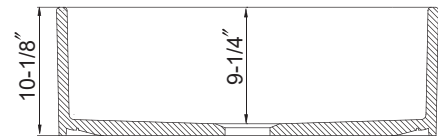
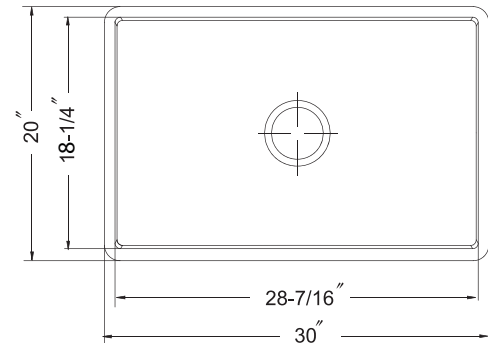
### OPTIONAL COLORS



**White**

**Biscuit**

Color variations possible due to printing constraints.



OVERALL DIMENSIONS	EACH BOWL	CUTOUT SIZE	PACKAGING*	WEIGHT*
30" x 20"	28-7/16" x 14-1/4"	See Template	1/10 pcs.	110/1150lbs.

\*Standard packaging: Single boxed /Pallet of single boxed.  
All dimensions are in inches. Specifications subject to change without notice.

### OPTIONAL ACCESSORIES

Bottom Grid: BG-7100

Strainer :

190-9180 - Stainless Steel

190-9261 - Polar White

190-9262 - Bone

Project/Job name \_\_\_\_\_

Architect/Engineer \_\_\_\_\_

Contractor \_\_\_\_\_

Model \_\_\_\_\_ Q'ty \_\_\_\_\_

Notes \_\_\_\_\_