

## SAVOIR SERIES

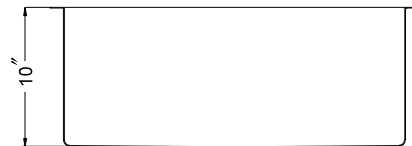
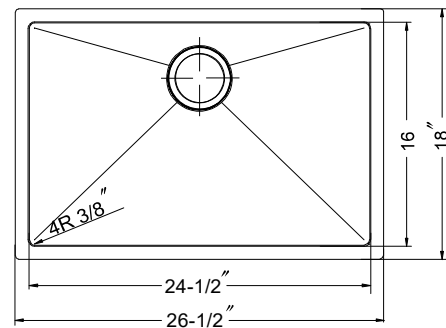
### 10mm Radius Undermount Single Bowl Model CNM-2700



CNM2700

#### FEATURES

- Premium grade T-304 stainless steel
- 10" depth • 18 gauge
- MegaShield™ insulation
- 10mm/0.4" Radius Coved Corner
- Brushed satin, rear-set drain • 3-1/2" drain opening
- Fits 30" sink base
- Supplied with cutout template, fasteners and instructions
- Lifetime Limited Warranty



#### OPTIONAL ACCESSORIES

Bottom Grid: BG-2750

Cutting Board : CB-4100

Strainer: 190-9180

OVERALL DIMENSIONS	EACH BOWL	CUTOUT SIZE	PACKAGING*	WEIGHT*
26-1/2" x 18"	24-1/2" x 16"	See Template	1/12 pcs.	28/376 lbs.

\*Standard packaging: Single boxed /Pallet of single boxed.  
All dimensions are in inches. Specifications subject to change without notice.

Project/Job name \_\_\_\_\_

Architect/Engineer \_\_\_\_\_

Contractor \_\_\_\_\_

Model \_\_\_\_\_ Q'ty \_\_\_\_\_

Notes \_\_\_\_\_

#### Installation profile

