

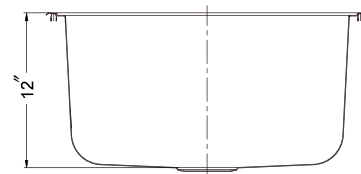
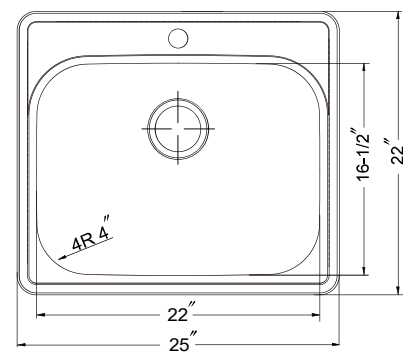
Topmount Single Bowl Laundry Sink Model LTS-2522



LTS-2522

FEATURES

- Premium grade T-304 stainless steel
- 12" depth
- 18 gauge
- 1 hole
- StoneShield undercoating over Sound Deadening pad
- Fits 30" sink base
- 3-1/2" drain opening
- Supplied with fasteners and instructions
- Lifetime Limited Warranty



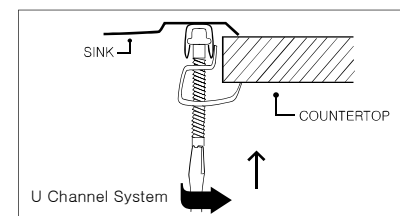
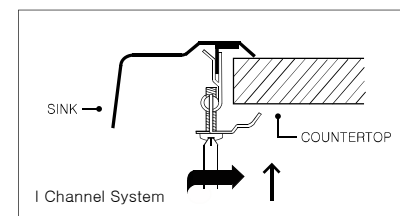
OPTIONAL ACCESSORIES

Strainer: 190-9180

OVERALL DIMENSIONS	EACH BOWL	CUTOUT SIZE	PACKAGING*	WEIGHT*
25" x 22"	22" x 16-1/2"	24-1/4" x 21-1/4"	1/16/20 pcs.	15/280/260 lbs.

*Standard packaging: Single boxed / Pallet of single boxed / Pallet of bulk pack.
All dimensions are in inches. Specifications subject to change without notice.

Installation profile



Project/Job name _____

Architect/Engineer _____

Contractor _____

Model _____ Q'ty _____

Notes _____