

KALFIRE **E** SERIES

FIREPLACES

INSTALLATION AND OPERATION MANUAL

Kalfire electric fireplace E-series

Kalfire E-55"

Kalfire E-65"

February 2024

*Please read these instructions thoroughly
before installing or using the fireplace.*

IMPORTANT

**Please read these instructions carefully before installation.
Failure to follow them could result in serious injury.**

**For use with 230~240V – 50Hz – 11Amp electric supply.
This appliance must be grounded.**

**The heater outlet becomes hot while in operation.
Never cover the heater outlet or any other part of the appliance.**

SAVE THESE INSTRUCTIONS

FIREPLACE DATA

Fireplace model:

Purchased from:

Date of purchase:

Serial number:

CONTENTS

1 INTRODUCTION	6
1.1 Receiving Inspection	6
1.2 Receiving Inspection options	6
2 GENERAL SAFETY REGULATIONS	7
2.1 Important instruction	7
2.2 Additional General Safety Regulations for Atmos Heating	7
2.3 Disposal	8
2.4 Guarantee Conditions	8
3 PRODUCT OVERVIEW	9
3.1 Packaging	9
3.2 Fireplace components	9
4 INSTALLING THE FIREPLACE	10
4.1 General building requirements	10
4.2 Freestanding	10
4.3 Installing the fireplace with Media Wall	12
4.4 Installing the fireplace with Design Frame	15
4.5 Custom built-in requirements	18
5 E-SERIES OPERATION	20
5.1 Main On/Off Switch	20
5.2 Remote Control Pairing	20
5.3 Remote and Symbols	20
5.4 Kalfire Connected App	21
6 MAINTENANCE	22
6.1 Cleaning The Fireplace	22
6.2 Replacing batteries	22
7 TROUBLE SHOOTING	23
8 TECHNICAL DATA	24
8.1 Specifications	24
8.2 Serial Number Label	24
8.3 Weight table	24
8.4 Wire Diagram	25
8.5 troubleshooting tree	26
8.6 Dimensional drawings	28

1 INTRODUCTION

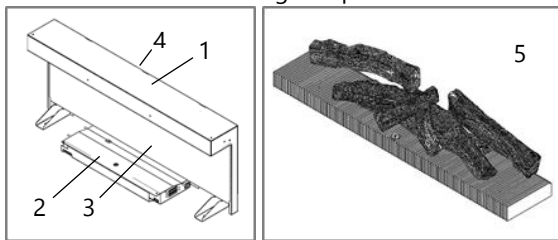
Kalfire stands for innovation and quality. This is why we work continuously on the further development of our products. We reserve the right to make changes to the form, technology and design of the products we sell. No claims can be made on the basis of information and figures from this manual.

This manual is protected by copyright. All rights are reserved, particularly the right to copy, translate and process.

1.1 Receiving Inspection

On receipt, check the following:

1. Conduct a visual inspection of the external packaging for any signs of damage during transport.
2. Physically inspect the items for visible defects, damage, or irregularities.
3. After following the unpacking instructions (which are located in the packaging), check if you have received the following components:



- Fireplace module consisting out of:
 - Withal body frame (1)
 - Electronics box (E-box) (2)
 - Masking screen (3)
 - Kalfire back screen (4)
- Design Bottom with integrated logs (5)
- Accessories box containing:
 - Wall anchoring kit with brackets, fasteners and wall plugs
 - Drilling template
 - Power cable 2m (UK / EU/ CH)
 - Remote control
 - Anti-static microfiber cloth
 - Installation and operating manual

1.2 Receiving Inspection options

If a Design Frame or Media Wall has been chosen, follow these steps:

1. Conduct a visual inspection of the external packaging for any signs of damage during transport.
2. Physically inspect the items for damage or irregularities.
3. Check if you have received the following components:
 - Option Design Frame:
 - Design frame
 - Mounting kit
 - Drilling template
 - Optionally with LED strip option
 - Option Media Wall:
 - Media Wall frame
 - Mounting kit
 - Drilling template
 - Optionally with LED strip option

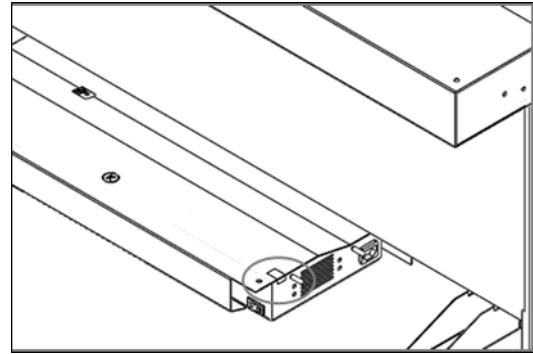
2 GENERAL SAFETY REGULATIONS

2.1 Important instruction

When using electrical appliances, necessary precautions must always be taken to reduce and/or prevent the risk of fire, electric shock, and personal injury:

- Read all instructions before installing or using this fireplace.
- Follow the installation steps described in this manual.
- The fireplace contains no user-serviceable parts, except cleaning of the masking screen and the design bottom with log set.
- If the fireplace is damaged, contact the supplier first.
- Do not use the fireplace outdoors.
- Ensure that the surface on which the product is placed can hold the weight of the product. For a weight overview, check the table in paragraph 8.3. Kalfire is not responsible for damage or injuries because of the use of improper materials or installation.
- Do not burn wood or other materials in or on this appliance.
- If the fireplace is switched on, the ambient temperature of the room in which the fireplace is placed must be between 5 and 30 degrees Celsius.
- Ambient temperature during storage and transport should be between -20 and 60 degrees Celsius.
- Do not use the fireplace in the immediate vicinity of a bath, shower, or swimming pool. The relative humidity must be <85%.
- If a malfunction occurs, set the main switch on the front of the product to 0 (OFF).
- Place the fireplace on a smooth and stable surface. Soft materials are highly discouraged
- To prevent overheating of the fireplace, the heater and its air out- and inlet must not be covered.
- Do not place any material in front of or against the fireplace and, in particular, do not obstruct the air circulation around the fireplace. When materials overheat, there is a risk of fire.
- Do not ever open the E-box of the fireplace to prevent damage of electrical components and risk of electrical shock. A calibration quality control seal is applied, breaking this seal does void the

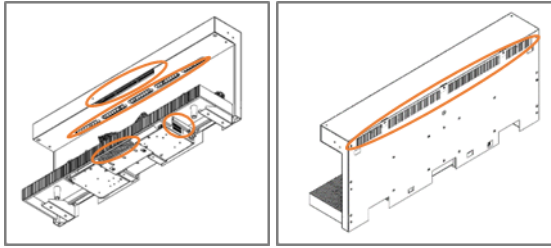
calibration of the product.



- The fireplace may be operated by children aged eight years and over and by people with reduced physical, sensory, or mental abilities provided they have demonstrated an understanding of the instructions relating to the safe use and the dangers of the fireplace.
- Children should not be allowed to play with the fireplace.
- Children should not be involved in any tasks pertaining to the maintenance of the fireplace without parental supervision.
- If the power cable becomes damaged, it must be replaced by the supplier to avoid danger.

2.2 Additional General Safety Regulations for Atmos Heating

- The fireplace does not have an automatic temperature regulator. If the fireplace is installed in a small room, each person present in the room must be able to leave the room independently. Any person who is not, must be continuously supervised.
- Temperatures around the heat outlet in the fireplace can reach temperatures up to 120°C. Therefore this area should never be covered.
- Temperatures around the sheet withal frame can reach 80°C. Materials used in this area must be rated for these temperatures.
- Some parts of the fireplace can become very hot and could potentially cause burns. Always maintain supervision of children and vulnerable people around the fireplace.
- Furniture, curtains, and other combustible materials must be placed at least 3 feet (1 m) away from the fireplace.
- Do not insert or allow foreign objects to enter any ventilation or exhaust opening as this may cause an electric shock or fire, or damage the heater.

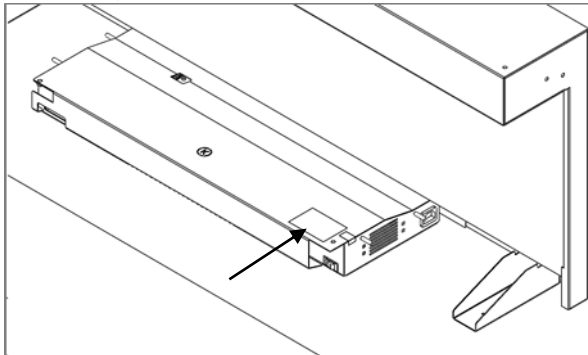


- To prevent a possible fire, do not block air intakes or exhaust in any manner.
- When the newly-installed fireplace heater is turned on for the first time, the product can emit a smell. This smell will disappear naturally.
- A heater has hot and arcing or sparking parts inside. Do not use it in areas where gasoline, paint, or flammable vapors or liquids are used or stored.
- Use this heater only as described in this manual. Any other use not recommended by the manufacturer may cause fire, electric shock, or injury to persons.



IMPORTANT!

- Save these instructions
- Before installation, note the data and the serial number of the fireplace on page 3 of this booklet and/or on the invoice of the fireplace. The serial number of the fireplace can be found on the inside of the fireplace on the right side, under the Design base plate. This number will be requested for any service inquiries.



2.3 Disposal



This device is classified as electrical and electronic equipment. As such, it must not be disposed of with household waste. At the end of its useful life please take this product to an appropriate recycling center or collection point. You can find your nearest recycling drop off point by contacting your locality's waste management office.

2.4 Guarantee Conditions

Kalfire represents craftsmanship. The Kalfire E-series is fully designed and developed in the Netherlands. We stand behind the quality of our products, and that's why we offer a two-year warranty period on the Kalfire E-series, starting from the invoice date.

3 PRODUCT OVERVIEW

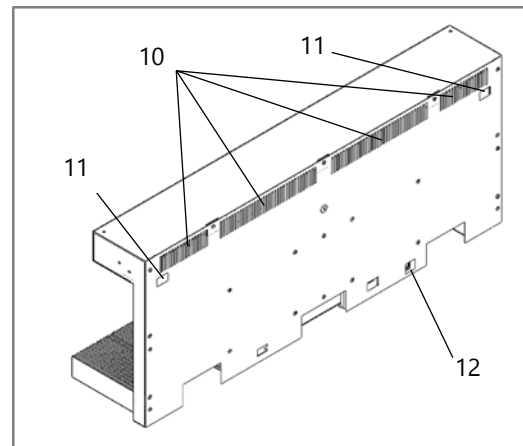
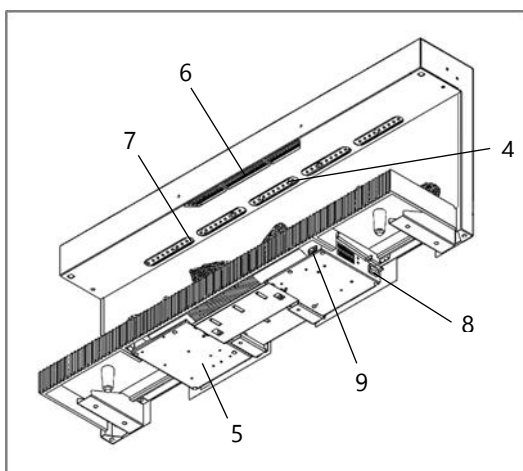
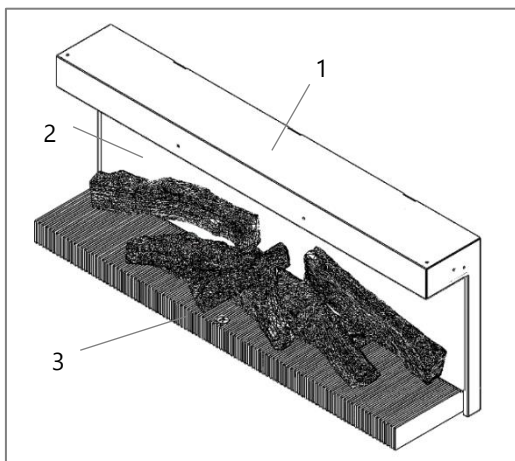
3.1 Packaging

Unpack and separate components of the fireplace according to the separately provided unpacking instructions which can be found on the top of the product after removing the cardboard lid of the packaging. It is always recommended to place the content of the box onto carpet or cardboard to prevent damage to any floors or the fireplace.

Due to the weight of the contents, it is highly recommended to place and lift the contents with two people. (evt. Afbeeldingen volgen nog. Verpakking nog niet definitief)

Available options Design Frame or Media Wall are provided with a separate packaging

3.2 Fireplace components



1. Fireplace frame
2. Masking screen
3. Design Bottom with Log set
4. LED strip
5. E-box
6. Heater air outlet
7. Heater air inlet
8. Power inlet
9. Power switch (ON/OFF)
10. Ventilation grille
11. Wall anchoring slots
12. LAN cable / Ethernet port

4 INSTALLING THE FIREPLACE

4.1 General building requirements



IMPORTANT!

- Do not put any weight on top of the frame of the fireplace.
- Do not place anything on the Design Bottom Plates with logs.
- Do not use tie wraps to (re-)fasten cables during installation
- To prevent damage, do not cover the open spaces or air vents on the back plate or the sides of the technical box. When materials overheat, there is a risk of fire.
- If the chosen surface is a floor, ensure the floor consists of non-combustible materials.
- To prevent damage, do not hang any curtains or other soft materials and fabric directly around the fireplace. When materials overheat, there is a risk of fire.

In the following paragraphs, the installation of the various options will be described sequentially:

- Freestanding (paragraph 4.2)
- Installation with Media Wall (paragraph 4.3)
- Installation with Design Frame (paragraph 4.4)
- Custom build design (paragraph 4.5).

Proceed to the paragraph that is applicable to you.

4.2 Freestanding



IMPORTANT!

- Level the surface on which the fireplace will be installed.
- Ensure the Design Bottom with Log set is removed prior to the start of installation.
- Place the fireplace in its final position before continuing to set up the fireplace.
- It is highly recommended to anchor the fireplace to the wall using the provided wall anchors for added stability and safety.
- Ensure that the surface on which the product is placed can hold the weight of the product. For a weight overview, check the table in paragraph 8.3.
- If the chosen surface is a floor, ensure the floor consists of non-combustible materials.
- Kalfire is not responsible for damage or injuries because of the use of improper materials or installation.



IMPORTANT!

- While assembling the fireplace, place the fireplace on a piece of cardboard or rug to protect the floor from damage from withal parts.
- Due to the weight of the fireplace, it is highly recommended to place and lift the fireplace with two people.
- The bottom of the fireplace must be supported at all times.



WARNING!

Provided wall anchoring brackets are not suitable for wall mounting the fireplace, only for anchoring the fireplace and providing additional safety against tipping. The bottom of the fireplace has to be supported at all times.

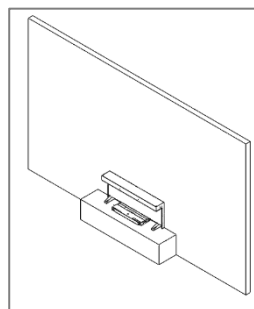
Required tools:

- Hammer
- Tape
- Level
- Drilling machine
- Screwdriver or screwdriver bit (PZ2)
- Drills size 6mm / ¼ Inch
- E-Series Wall Anchors with included template, screws and plugs



IMPORTANT!

- To determine the final location, place on top of a flat and level surface large enough to support the complete bottom of the product. This surface should preferably be perpendicular to a wall or other flat surface for support of the back of fireplace.



- Ensure power can be accessed to complete installation. If a LAN-cable is desired, also ensure the access to this.

4.2.1 Anchoring the fireplace to the wall

1. Use the provided drilling template to mark out the holes for the wall anchors. Line the bottom of the

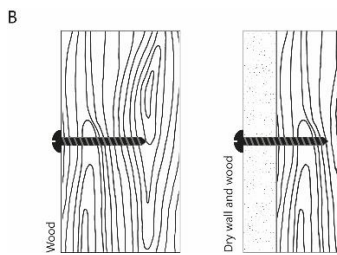
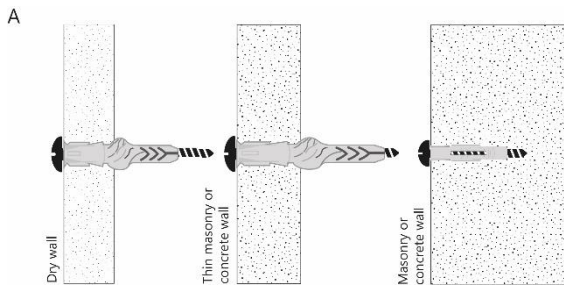
template out with the surface on which the product is placed and hang on the wall using tape.



WARNING!

- provided wall anchoring brackets are not suitable for wall mounting the fireplace, only for anchoring the fireplace and providing additional safety against tipping.
- The bottom of the fireplace has to be supported at all times.

2. Once marked, install the wall anchors by referring to the standard installation conditions for each wall type.



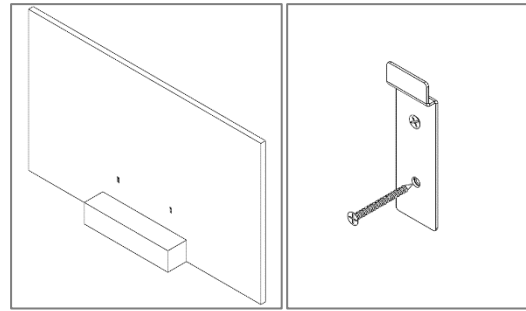
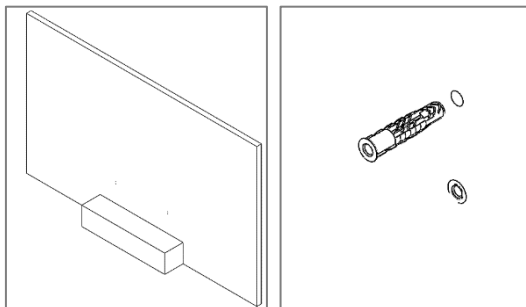
IMPORTANT!

If you are not sure about your wall type, please ask an expert or your local DIY store for assistance.

A. Dry Wall, Masonry, or concrete wall:

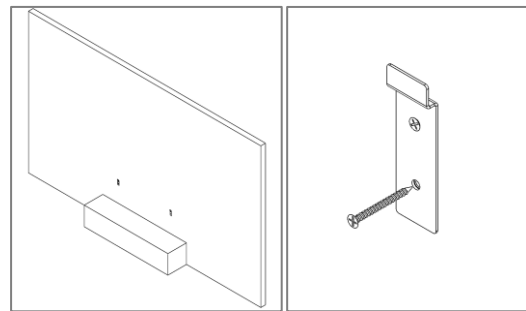
Use the provided UX6 plug and 4x45mm cross recessed countersunk head screw pozidriv

3. Drill 4x 6mm holes and insert the plugs. Use the supplied screws to attach the wall anchors to the wall. Make sure they are level.



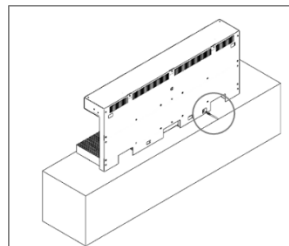
B. Wooden frame:

3. Screw 4x45mm screws directly into wooden frame



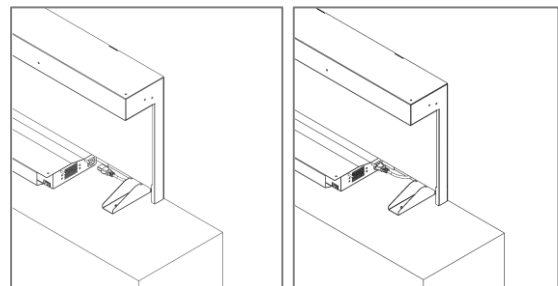
IMPORTANT!

If a LAN cable/network cable (not included) is desired, place the fireplace on the furniture where it will be situated and connect it to the back of the fireplace before hanging the fireplace on the wall anchors.



4.2.2 Installing the fireplace

1. Connect the fireplace to power. Insert the power cable into the plug on the right side the product first, then plug the cable into the socket.





IMPORTANT!

This fireplace must be plugged into a 230~240V, 50Hz, 11Amp electric supply with the provided power cord. This appliance must be grounded.

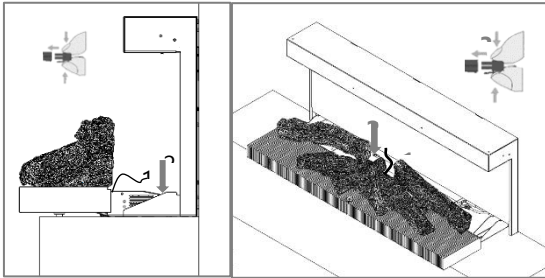
2. Lift the fireplace over the wall anchors. The product is now fixed in place.



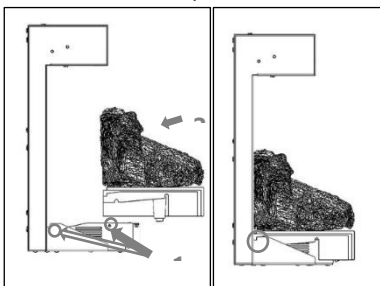
IMPORTANT!

The Design Bottom with Log set is made of fragile material. Therefore, proceed with extreme caution when installing the Design Bottom with Log set.

3. Place the Design Bottom Plate with Logs in front of the body frame. Use the E-box as support for this.
4. Then connect the connector plug of the Design Bottom with the E-box. This connector allows for the log set lighting to function with the product.



5. Move the Design Bottom with Log set centred over the E-box using the guiding cams and lift the design bottom plate onto the brackets on the back to secure its place.



The product is now ready for use. Continue with chapter 5 to start operating the product.

4.3 Installing the fireplace with Media Wall

- Level the surface on which the fireplace will be installed.
- Ensure the Design Bottom with Log set is removed prior to the start of installation.
- Place the fireplace in its final position before continuing to set up the fireplace.
- Once you have placed the fireplace, it is highly recommended that you anchor it to the wall using

the provided wall anchors for added stability and safety.

- Ensure that the surface on which the product is placed can hold the weight of the product. For a weight overview, check the table in paragraph 8.3.
- If the chosen surface is a floor, ensure the floor consists of non-combustible materials.
- Kalfire is not responsible for damage or injuries because of the use of improper materials or installation.



IMPORTANT!

- While assembling the fireplace, place the fireplace on a piece of cardboard or rug to protect the floor from damage from withal parts.
- Due to the weight of the fireplace, it is highly recommended to place and lift the fireplace with two people.
- The bottom of the fireplace has to be supported at all times.



WARNING!

Provided wall anchoring brackets are not suitable for wall mounting the fireplace, only for anchoring the fireplace and providing additional safety against tipping.

Required tools:

- Hammer
- Level
- Drilling machine
- Screwdriver or screwdriver bit (PZ2)
- Socket wrench 10mm / 3/8 inch
- Drills size 6mm / ¼ Inch and size 8mm or 5/16 Inch
- E-Series Wall Anchors with included template, screws and plugs
- Media Wall with included template, screws and plugs



IMPORTANT!

- To determine the final location, place on top of flat surface large enough to support the complete bottom of the product. This surface should preferably be perpendicular to a wall or other flat surface for support of the back of fireplace.
- The bottom of the fireplace must be supported at all times.
- Ensure the fireplace can be connected to the power grid to complete the installation.
- Ensure the fireplace can be connected to a LAN cable/network cable if you wish or need to

connect the fireplace in this manner to the internet. A LAN cable is not included.

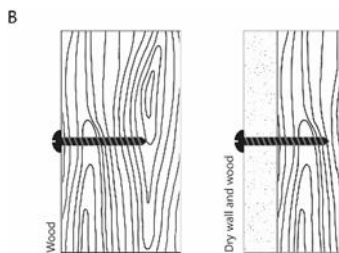
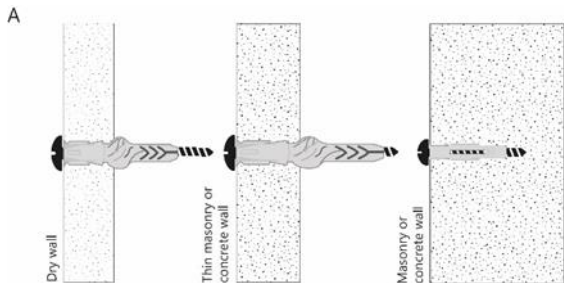


IMPORTANT!

Note that the Design Bottom with Log set has to be removed to start installation.

4.3.1 Anchoring the fireplace to the wall

1. Use the provided drilling template to mark out the holes for the wall anchors. Line the bottom of the template out with the surface on which the product is placed and hang on the wall using tape.
2. Once marked, install the wall anchors by referring to the standard installation conditions for each wall type referring to the standard installation conditions for each wall type.



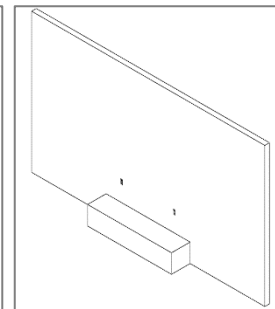
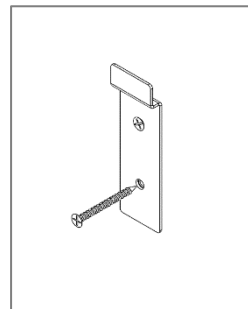
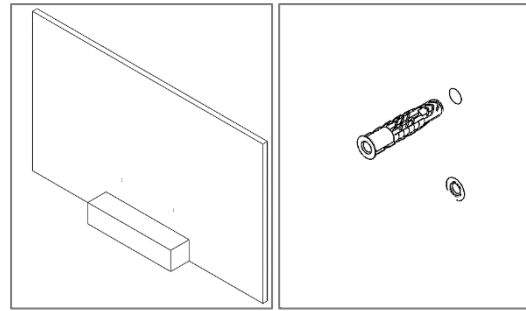
IMPORTANT!

- If you are not sure about your wall type, please ask an expert or your local DIY store for assistance.

A. Dry wall, masonry, or concrete wall:

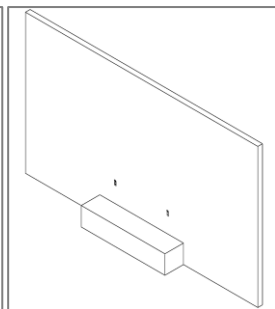
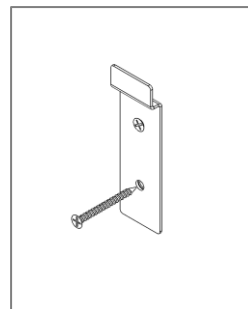
Use the provided UX6 plug and 4x45mm cross recessed countersunk head screw pozidriv. Drill 4x holes of 6mm and insert plugs.

3. Drill 4x 6mm holes and insert the plugs. Use the included screws to attach the wall anchor to the wall. Make sure it is level.



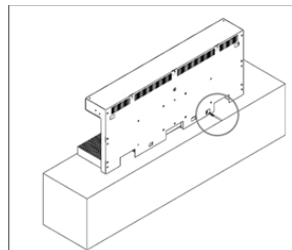
B. Dry wall with wooden frame or wooden wall

3. Screw 4x45mm screws directly into wooden frame.



CAUTION!

If a LAN cable/network cable (not included) is desired, lift the device onto the surface and connect it to the back of the product before hanging the product on the wall anchors.



4. Lift the fireplace the wall anchors. The product is now fixed in place.



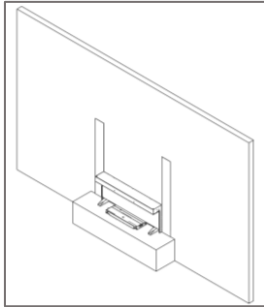
IMPORTANT!

Ensure the power can be accessed to complete installation.

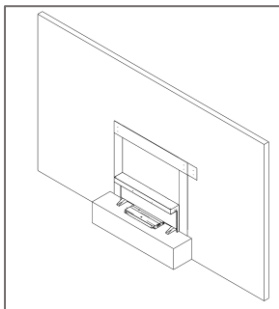
4.3.2 Installing the Media Wall

Use the provided drilling template to mark out the position of the Media Wall.

1. First place the sides of the drilling template and align them with the sides of the already installed product.



2. Then apply the top part and align to the correct height for your model as indicated on the drilling template.

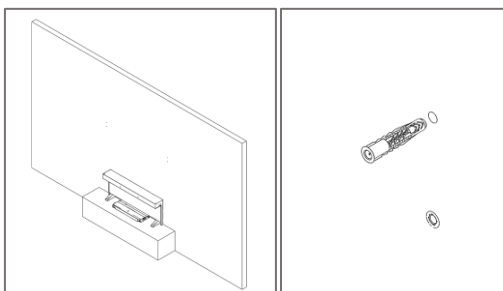


3. Now mark the holes for the Media Wall brackets.
4. Once marked, install the provided wall brackets to mount the Media Wall by referring to the standard installation conditions for each wall type. See paragraph 4.3.1.

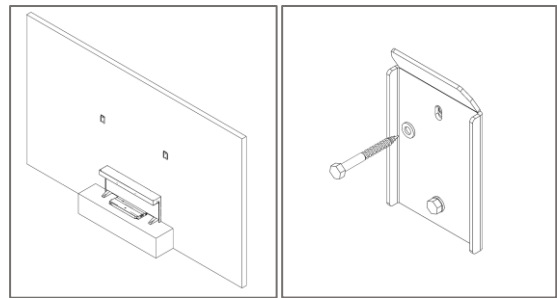
A. Dry wall, masonry, or concrete wall

Use provided plug UX8 and 4x DIN 571 6 X 60 hexagon head wood screw with M6 DIN 125-1A plain washer.

5. Drill hole with drillsize 8mm or 5/16 Inch and insert plugs.



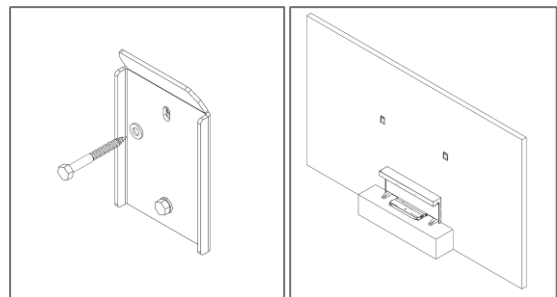
Use 4x DIN 571 6 X 60 hexagon head wood screw to mount Brackets to wall.



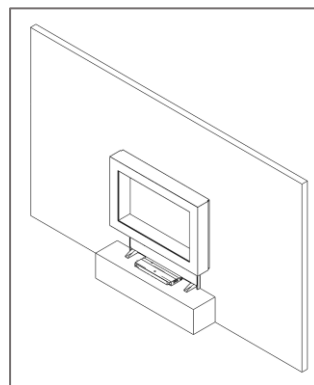
B. Dry wall with wooden frame or wooden wall:

Use 4x DIN 571 6 X 60 Hexagon head wood screw

5. Drill directly into wooden frame Use screw X to mount brackets directly to wall.



6. Lift the Media Wall and place on top of the installed brackets. The product is now in place.

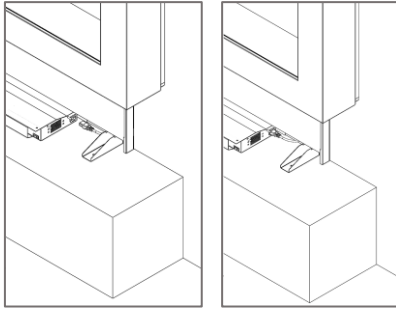


4.3.3 Installing the fireplace

⚠ IMPORTANT!

This fireplace must be plugged into a 230~240V, 50Hz, 11Amp electric supply with the provided power cord. This appliance must be grounded.

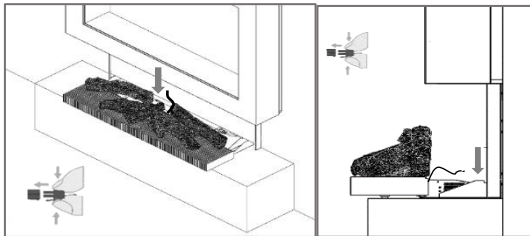
1. Connect unit to power. Insert the power cable into the plug on the right side of the product. Then plug the cable into the socket.



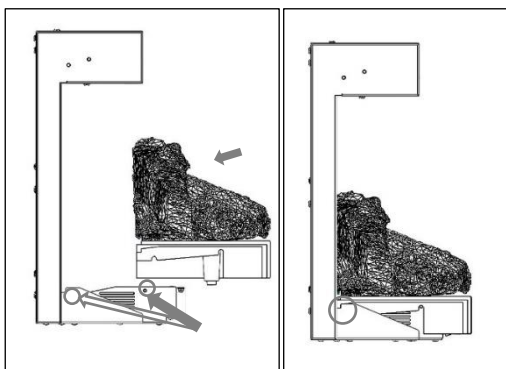
IMPORTANT!

The Design Bottom with Log set is made of fragile material. Therefore, proceed with extreme caution when installing the Design Bottom with Log set.

- Place the Design Bottom Plate with Logs in front of the product. Use the E-box as support for this.
- Then connect the connector plug of the Design Bottom with the E-box.



- Move the Design Bottom with Log set centred over the technical box using the guiding cams and lift the design bottom plate onto the brackets on the back to secure its place.



The product is now ready for use. Continue with chapter 5 to start operating the product.

4.4 Installing the fireplace with Design Frame



IMPORTANT!

- Ensure the Design Bottom with log set is removed prior to the start of installation.

- While assembling the fireplace, place the fireplace on a piece of cardboard or rug to protect the floor from damage from withal parts.
- Due to the weight of the fireplace, it is highly recommended to place and lift the unit with two people.
- Ensure that the surface on which the product is placed can support the weight of the product. For an overview of the weight, refer to the table in section 8.3.

Required tools:

- Hammer
- Level
- Drilling machine
- Socket wrench 10mm / 3/8 inch
- Drills size 8mm or 5/16 Inch
- Design Frame with included template, screws and plugs.



IMPORTANT!

The standard wall anchor set included with the fireplace is not used for application with Design Frame. Save the set in case a different setup is desired in the future.

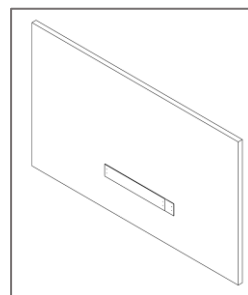


IMPORTANT!

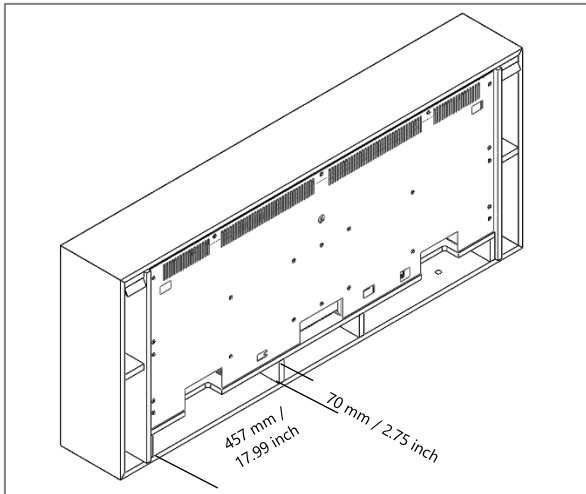
- To determine the final location, place the drilling template against the wall on which the product is desired and check for the right placement.
- Ensure there is access to power to complete the installation.
- Ensure the fireplace can be connected to a LAN cable/network cable if you wish or need to connect the fireplace in this manner to the internet. A LAN cable is not included.

4.4.1 Installing the fireplace and Media Wall

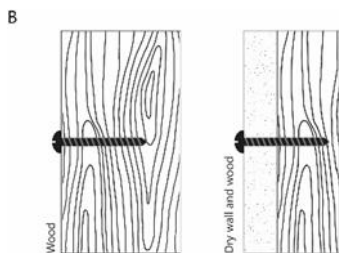
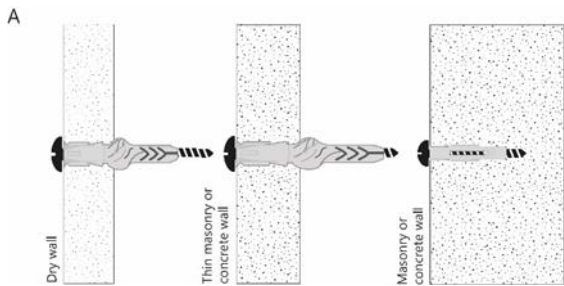
- Use the provided drilling template to mark out the holes for the wall anchors.



- (Optional) If a hidden wall socket is desired, the following space in the Design Frame can be used for this purpose.



- Once marked, install the wall anchors by referring to the standard installation conditions for each wall type.



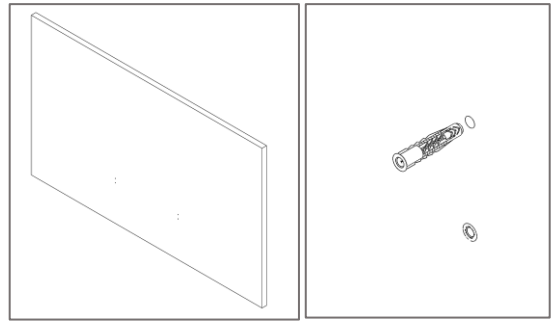
! IMPORTANT!

If you are not sure about your wall type, please ask an expert or your local DIY store for assistance.

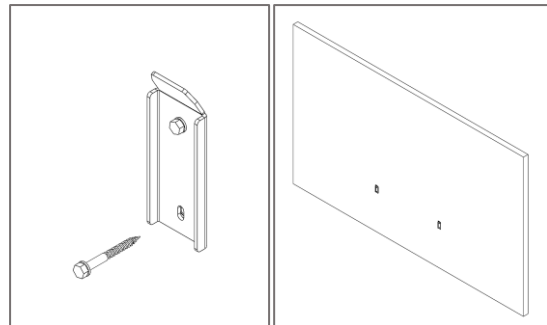
A. Dry wall, masonry, or concrete wall

Use provided plug UX8 and 4x DIN 571 6 X 60 hexagon head wood screw with M6 DIN 125-1A plain washer

- Drill a hole with drill size 8 mm or 5/16 inch and insert plugs.



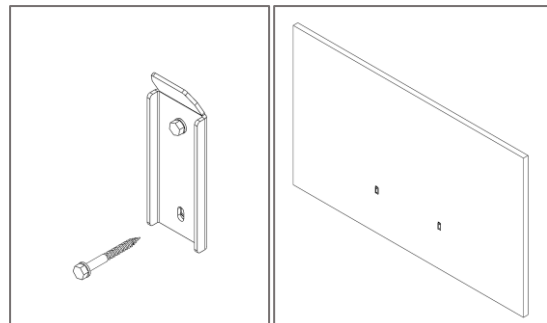
Use 4x DIN 571 6 X 60 hexagon head wood screw to mount the brackets to the wall.



B. Dry wall with wooden frame or wooden wall:

Use 4x DIN 571 6 X 60 Hexagon head wood screw

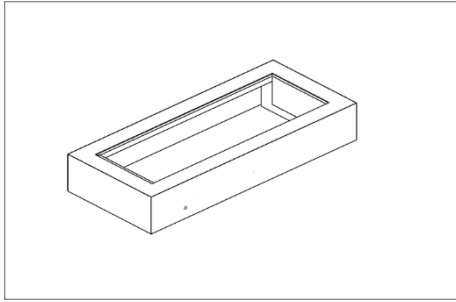
- Drill these directly into wooden frame to fix the brackets in place.



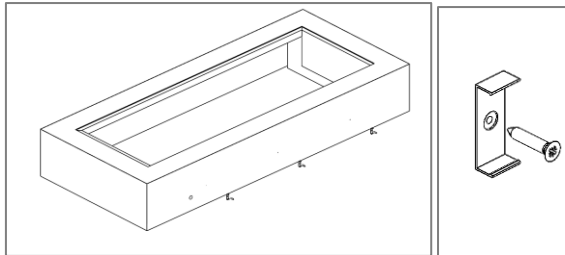
4.4.2 Installing the LED Strip on the Design Frame (Optional)

If you did not opt for the LED strip option with the Design frame, please proceed to step 4. If an LED strip was selected, it must be mounted on the Design frame before continuing with the installation.

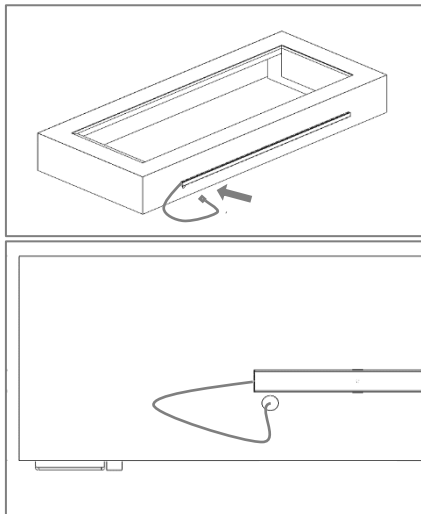
- Place the Design frame with its back side flat on cardboard or a carpet.



- Mount the supplied clamps with the supplied screws to the bottom of the Design frame at the marked points. Tighten them with a screwdriver.

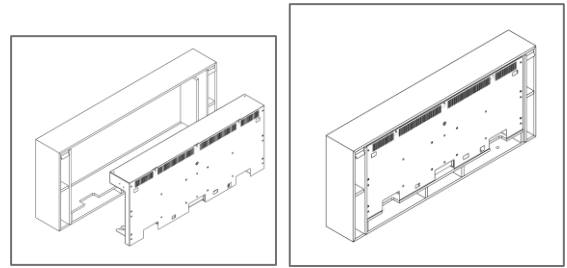


- Next, take the assembled LED profile and click it into the mounted clamps. Place it centered on the product and push the cable of the LED strip through the hole at the bottom.



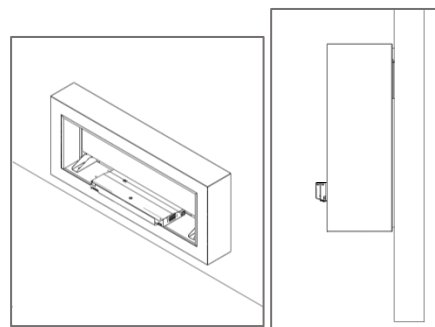
4.4.3 Continuation - Installation of the Design Frame and the Fireplace

5. Place the unit (without the Design bottom with logs) into the Design Frame. Ensure the frame is placed on a stable surface.

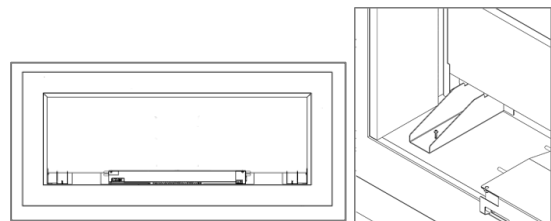


PAY ATTENTION!

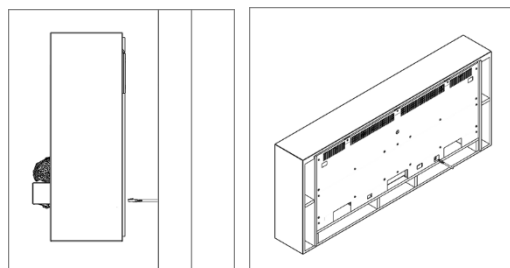
It is recommended to place the power cable on the bottom shelf of the Design Frame to ensure that power can be connected to complete the installation.



6. Use the 2x 3.5x16mm cross-head countersunk screws with pozidriv and screw them into the legs to secure the fireplace to the frame.

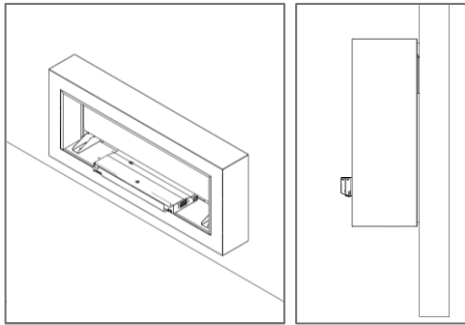


7. (Optional) If a LAN cable is desired, insert the LAN/network cable (not included) at the back of the fireplace before hanging the fireplace on the wall brackets.

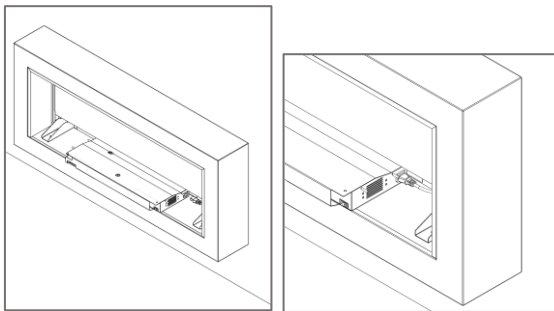


1. Next, lift the Design Frame with the fireplace and hang it onto the wall brackets. Make sure to lift the frame while holding the Design Frame. It is advised to place the power cable on the bottom

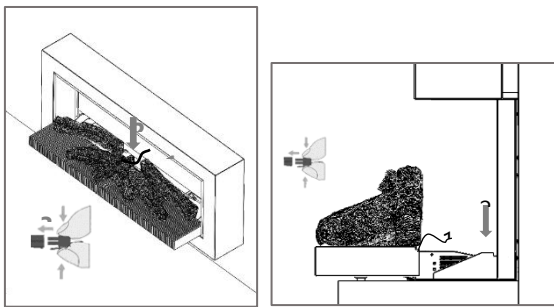
shelf of the design frame to make sure power can be accessed to complete installation. The product is now in place.



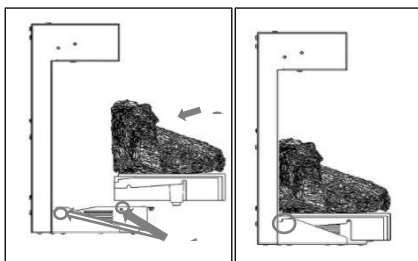
2. Connect unit to power. Insert the power cable into the plug on the right side of the product. Then plug the cable into the socket.



3. Place the Design Bottom Plate with Logs in front of the product. Use the E-box as support for this.
4. Then connect the connector plug of the Design Bottom with the E-box.



5. Move the Design Bottom with Log set centred over the technical box using the guiding cams and lift the design bottom plate onto the brackets on the back to secure its place.



The product is now ready for use. Continue with chapter 5 to start operating the product.

4.5 Custom built-in requirements

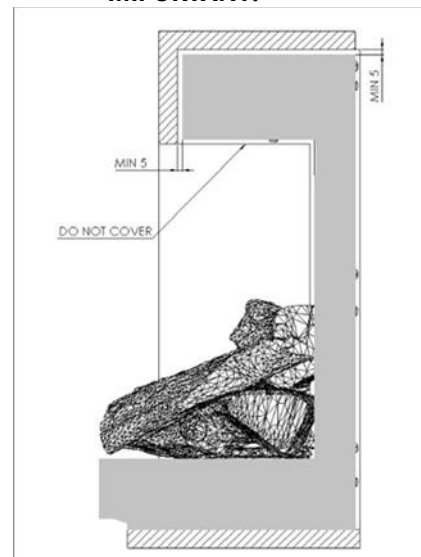


IMPORTANT!

- Place the fireplace on a piece of cardboard or a rug during assembly to protect the floor from damage caused by withal parts.
- Ensure that the Design bottom plate with integrated logs is removed before starting the installation.
- The bottom of the fireplace must always be fully supported by a flat and horizontal surface.
- Do not place any weight on the frame of the fireplace.
- Ensure that the surface on which the product is placed can support the weight of the product. For an overview of the weight, consult the table in section 8.3.
- Due to the weight of the fireplace, it is highly recommended to place and lift the fireplace with two people.
- It is strongly recommended to anchor the fireplace to the wall with the included wall anchors for additional stability and safety.
- The included wall anchors are not suitable for mounting the fireplace on the wall, only for anchoring the fireplace and providing extra safety against tipping.
- Ensure that power is accessible to complete the installation.
- If a wired internet connection is chosen, this should be taken into account during installation.



IMPORTANT!



- Temperatures around the heat outlet can rise up to 120°C. Therefore, this area must never be covered.
- Temperatures around the steel frame can reach 80°C. Materials used in this area must be suitable for these temperatures.
- Do not block any ventilation openings of the product.
- When placing finishing materials around the sides of the fireplace, a minimum distance of about 5 mm should be maintained between the potential finishing materials and the fireplace for heat transfer and expansion.
- The withal frame will expand when heated by the heating element in the fireplace. If the finishing material is too tight against the guides, it could lead to heat transfer and material stress, which may cause cracks or damage to the finishing material or the fireplace.
- Kalfire is not responsible for damage or injuries resulting from the use of unsuitable materials or installation.

4.5.1 Installatieinstructies

For the installation of the fireplace, follow the instructions in section 4.2.2



ATTENTION!

If a LAN cable/network cable (not included) is desired, place the fireplace on the furniture where it will be situated and connect it to the back of the product before hanging the product on the wall anchors.

5 E-SERIES OPERATION

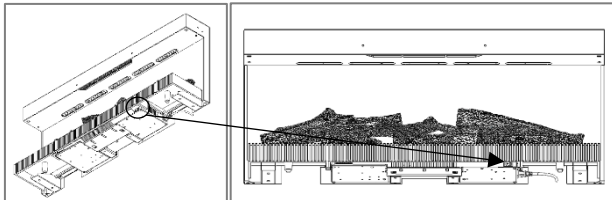
With the E-series you can create your own fire experience through the various functions and/or options.

WARNING!

When the heating is turned on for the first time, the product may emit an odor. This odor will disappear on its own.

5.1 Main On/Off Switch

Power to the fireplace can be switched ON/OFF using the on/off switch (0/I) on the front. The button is located at the bottom right of the E-box right under the design bottom plate.



IMPORTANT!

If you do not intend to use the unit for a long period of time, we advise you to switch off the unit by setting the power button on the unit to the 0 (off) position.

5.2 Remote Control Pairing

IMPORTANT!

The remote control must be paired to start using the fireplace. The following pairing symbol will be visible on the screen to ensure the remote control has not been paired yet.



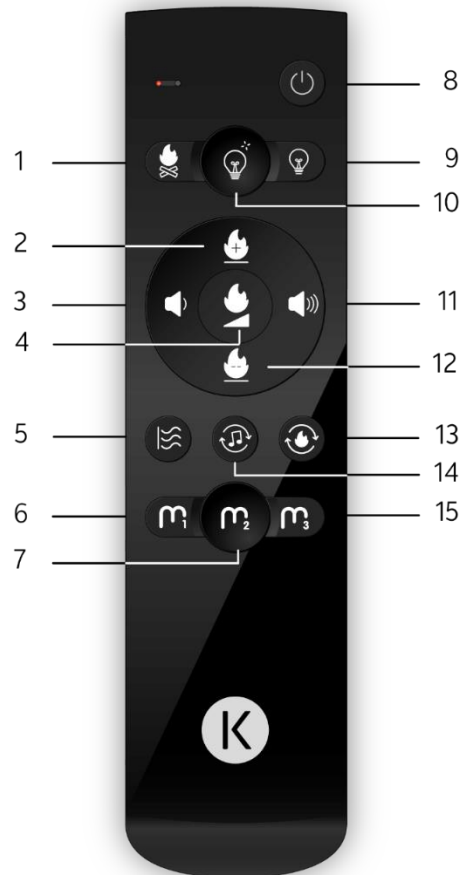
Pairing the remote control:


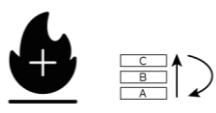
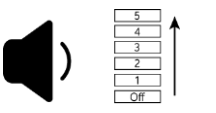

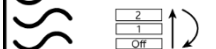


Press button 4 and 5 on the remote control at same time. Release the buttons when a red LED light flashes in the top-left corner of the remote control.

You will know when the remote control is paired with the E-series successfully once the pairing symbol is no longer visible.

5.3 Remote and Symbols



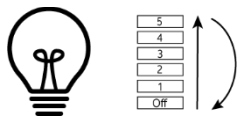
1. Intensity log/ember bed

2. Flame selection up

3. Kalfire sound - volume down

4. Dynamic light nr. 1 and nr. 9 (last selected)

5. Heater




8. Power on/off



9. Atmos Lighting



10. Dynamic Atmos Lighting



11. Raise volume of Kalfire Sound



12. Decrease flame height



13. Fireplace interior



14. Kalfire Sound



5.4 Kalfire Connected App

The Kalfire Connected app offers more and extended possibilities compared to the remote control.

5.4.1 Installing the Kalfire Connected App

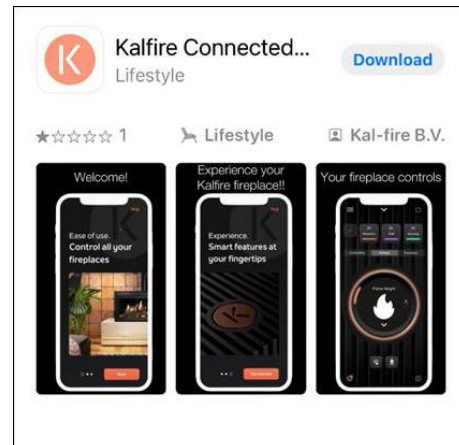
Before installing the Kalfire Connected app, please check:

- If you are on the same Wi-Fi network as the fireplace (The app should be connected to the fireplace via a 2.4GHz Wi-Fi network).
- If your Bluetooth is turned on.

1. Download the Kalfire Connected app from the Apple App Store or the Google Play Store. Search for: **Kalfire Connected App**.



2. Install the app



3. Follow the on-screen instructions
4. Create an account

Creating an account grants access to all functionalities of the fireplace that can be controlled through the KalfireConnected app.

Once the one-time registration steps are completed, the KalfireConnected App can be used.

6 MAINTENANCE



WARNING!

Before cleaning, make sure the power has been turned off at the circuit breaker panel and that the heating element of the heater is cool.

6.1 Cleaning The Fireplace

6.1.1 Withal body frame

Use the provided cloth or another microfiber (antistatic) soft cloth to clean the black powder-coated parts of the fireplace. Never use any solvents or aggressive cleaning agents. The use of sandpaper, steel wool or brushes and scouring pads is strictly not recommended. This will leave scratches on the coating.

6.1.2 Masking screen

Use the provided cloth or another microfiber (antistatic) soft cloth to clean the masking screen. Never use any solvents or aggressive cleaning agents. The use of sandpaper, steel wool or brushes and scouring pads is strictly not recommended. This will leave scratches on the screen.

6.1.3 Design Bottom Plate with log set

Do not remove the design bottom plate with log set. Use the provided cloth or another microfiber (antistatic) soft cloth to clean the main surfaces. It is recommended to use a feather duster to clean in between the logs and ribs. Never use any solvents or aggressive cleaning agents. The use of sandpaper, steel wool or brushes and scouring pads is strictly not recommended. This will leave scratches on the fragile materials.

6.1.4 Optional: Design Frame

Use the provided cloth or another microfiber (antistatic) soft cloth to clean the design frame. Never use any solvents or aggressive cleaning agents. The use of sandpaper, steel wool or brushes and scouring pads is strictly not recommended. This will leave scratches on the painted surfaces.

6.1.5 Optional: Media Wall

Use a microfiber (antistatic) cloth or other soft cloth to clean the media wall. Never use any solvents or aggressive cleaning agents. The use of sandpaper, steel wool or brushes and scouring pads is strictly not recommended. This will leave scratches on the painted surfaces.

6.1.6 Optional: LED strip

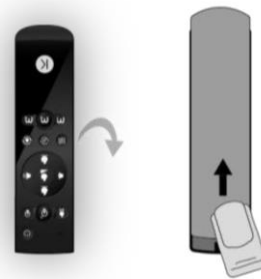
Use a microfiber (antistatic) cloth or other soft cloth to clean the LED strip. Never use any solvents or

aggressive cleaning agents. The use of sandpaper, steel wool or brushes and scouring pads is strictly not recommended. This will leave scratches on the diffuser and the aluminum profile.

6.2 Replacing batteries

If the red LED light in the upper right corner of the remote control no longer illuminates when you press any of the buttons, the battery needs to be replaced. Replace the battery in the remote control as follows:

1. Grasp the remote control on-the-head and turn it over.
2. Place your thumb as shown below.
3. Press the back lightly with your thumb and slide the cover upwards at the same time.



4. Replace the battery into the remote control (1 x AAA)
5. Replace the cover in reverse order.

7 TROUBLE SHOOTING

In the event of a malfunction, first check the points below. If the problem persists, please contact your supplier.

The fireplace does not start.

- Check if the main switch on the top right of the device is turned on. (see section 5.1).
- Also, see the troubleshooting tree in section 8.5

The remote control does not respond:

the Bluetooth symbol is visible in the fireplace. This indicates that there is no connection between the remote control and the fireplace.

- Pair the remote control with the fireplace (see section 5.2).

The remote control does not respond:

the red light at the top left of the remote control is not illuminated.

- Replace the batteries of the remote control (see section 6.2).
- The remote control is broken and needs to be replaced.

Also, see the troubleshooting tree in section 8.5

The lighting in the logs does not work:

- Check if the plug of the Design base with integrated logs is plugged in.

8 TECHNICAL DATA

8.1 Specifications

Kalfire E-series

Model: E55 / E65

Input: 230~240V – 50Hz – 11Amp

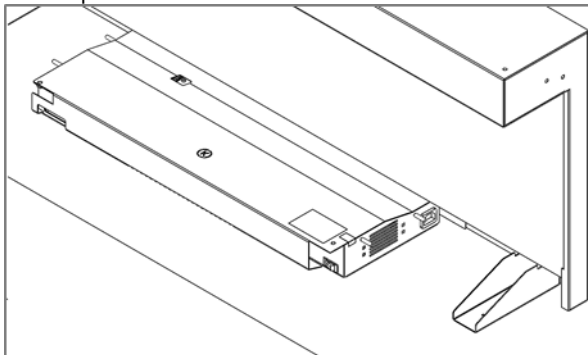
Power: 1,600 Watt

Energy consumption per operating mode	
standby mode (W)	9.2
standby mode, incl. anti-reflect function (W)	12
full operating mode, excl. Atmos Heating (W)	70.2
full operating mode, incl. Atmos Heating (W)	1,575

This fireplace must be hardwired to a 230~240V – 50Hz – 11Amp electric supply. This appliance must be grounded. Wiring procedures and connections shall be in accordance with the national and local codes having jurisdiction.





8.2 Serial Number Label

The serial number for the fireplace can be found inside the fireplace on the left-hand side.


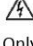


To view the label, remove the Design base plate with integrated logs. See section 3.2.

Manufacturer :
Kalfire B.V.
Geloërveldweg 21
NL – 5951 DH, Belfeld

KALFIRE    
FIREPLACES

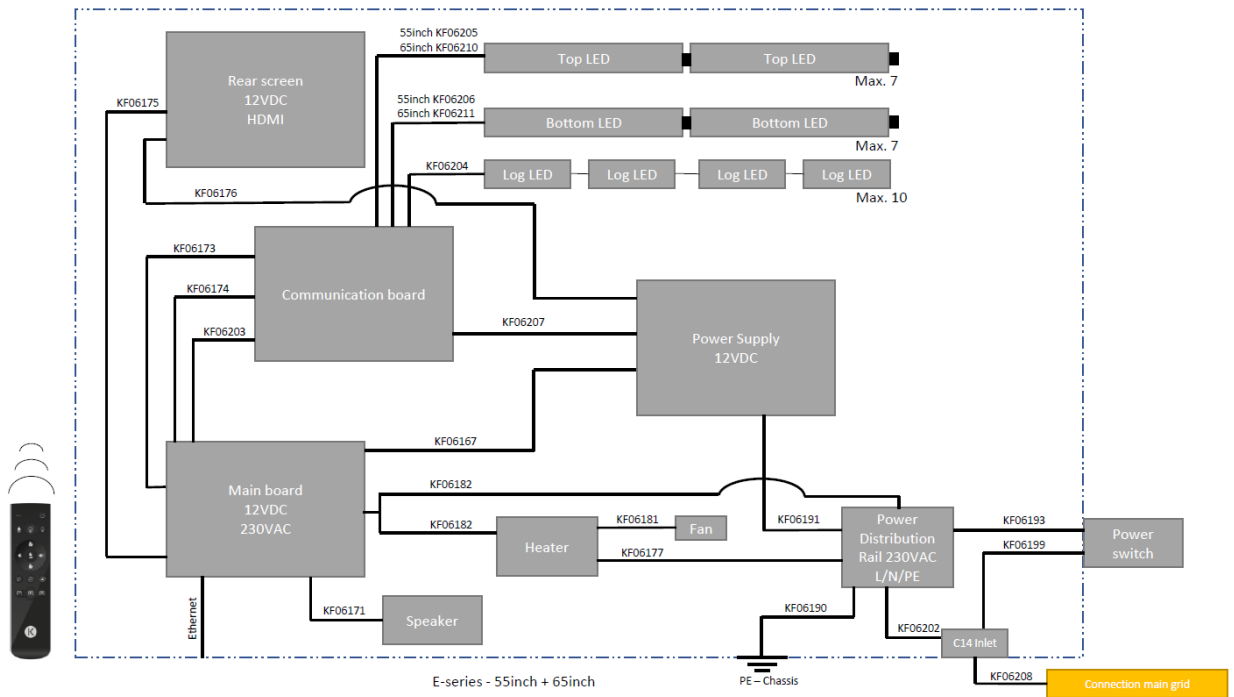
MODEL No.	E55 / E65
SERIAL No.	
MANUFACTURE DATE	MM / YYYY
VOLTAGE	230-240 Vac / 50 Hz
POWER	1600 W
CURRENT	8 A

 WARNING: Do not cover heater!
 WARNING: Hazardous voltage inside
 Only authorized personnel may service this equipment

8.3 Weight table

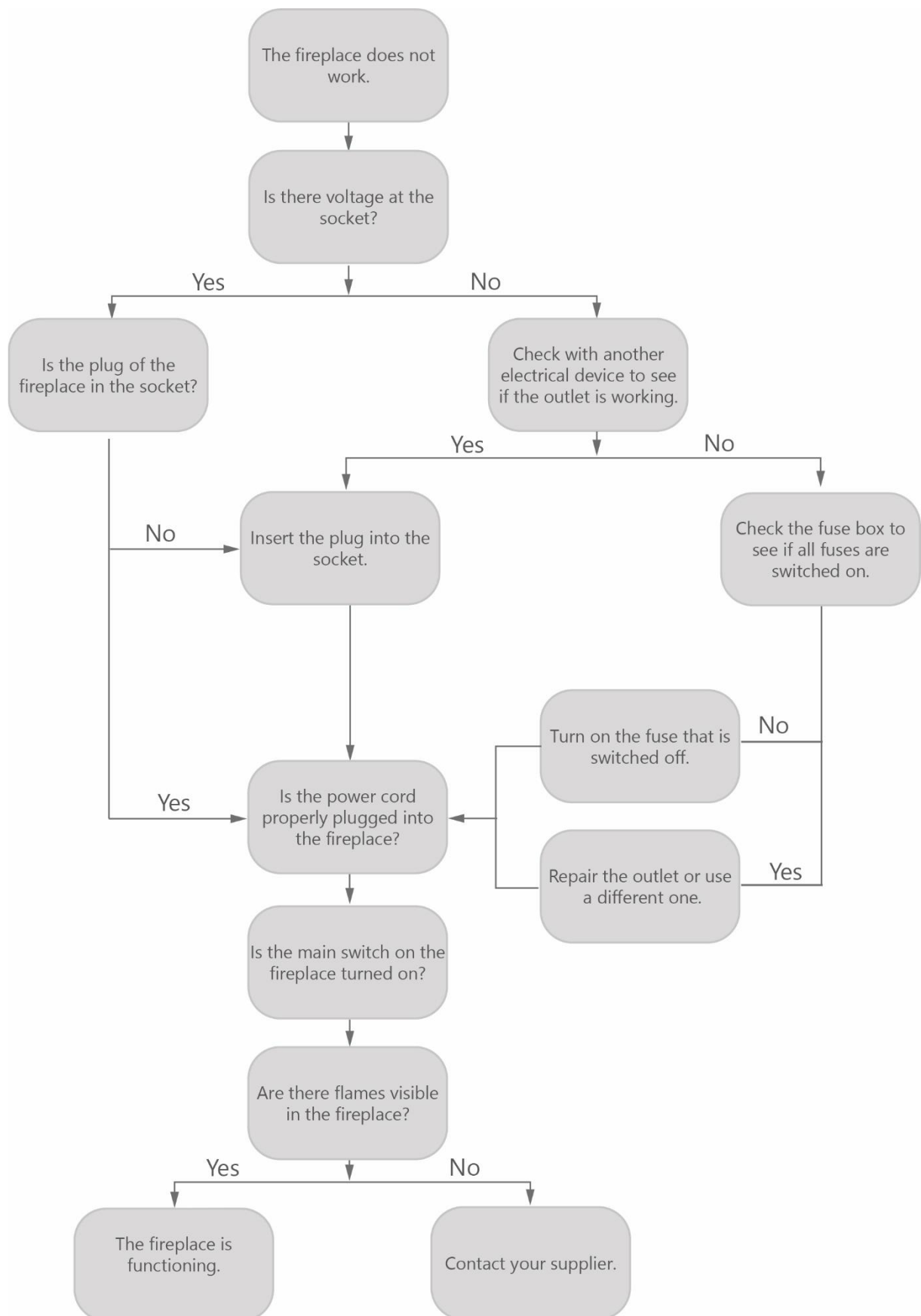
Product	Weight (kg)	Weight (lbs)
Kalfire E-55"	34	74,5
Kalfire E-55" with Media Wall	64	141
Kalfire E-55" with Design Frame	55,5	122
Kalfire E-65"	36	79
Kalfire E-65" with Media Wall	71	155,5
E-65" with Design Frame	59	129

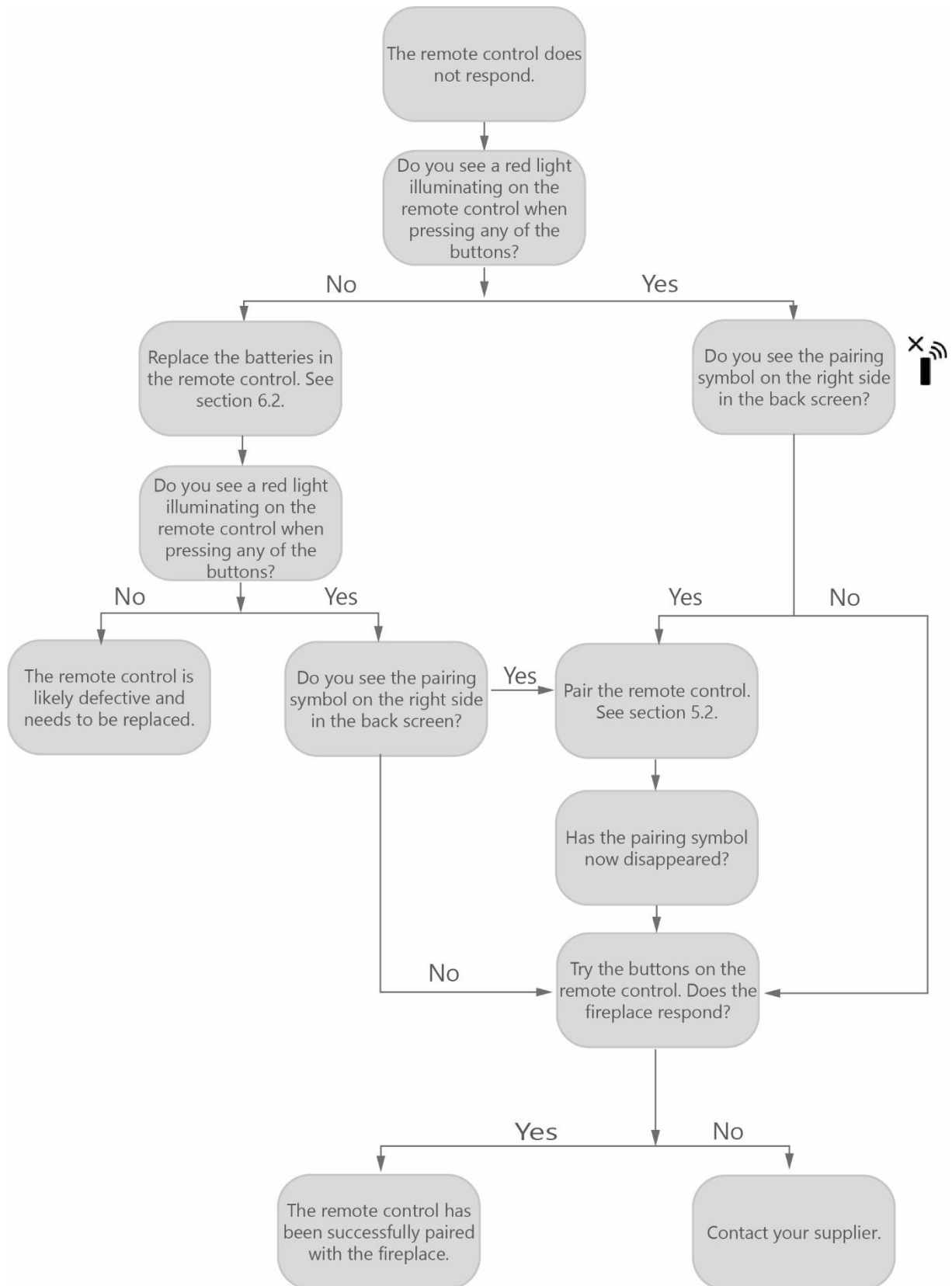
8.4 Wire Diagram



Version: 1.0
Date: 2023-11-09

8.5 troubleshooting tree



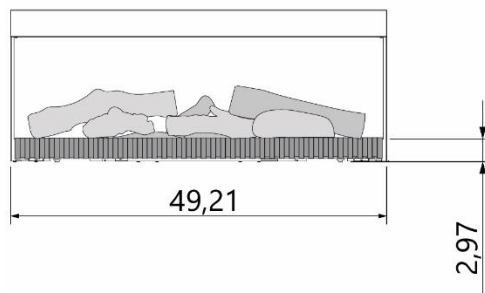


8.6 Dimensional drawings

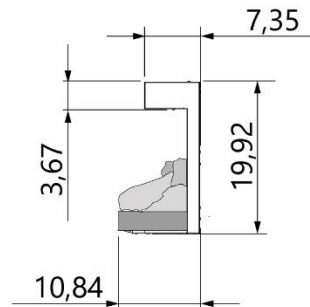
KALFIRE FIREPLACES **E** SERIES

Dimensional drawing
Kalfire E-55"

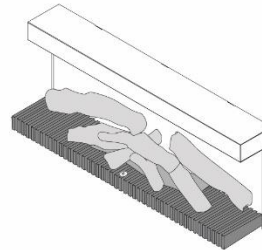
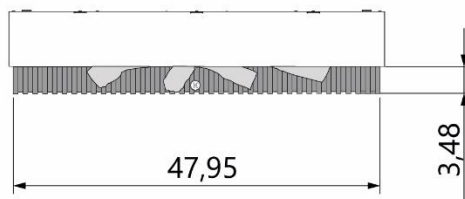
Front view



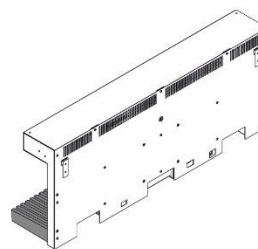
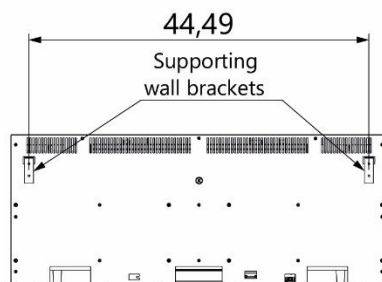
Side view



Top view



Rear view



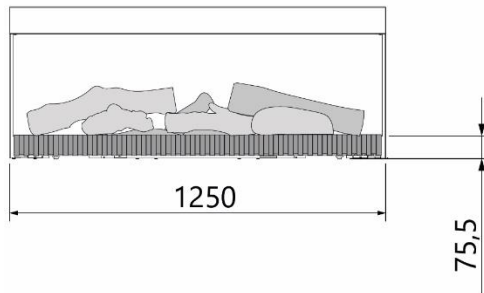
All dimensions are in inch. Modifications under reserve.

Weight indication: 74,5 lbs.

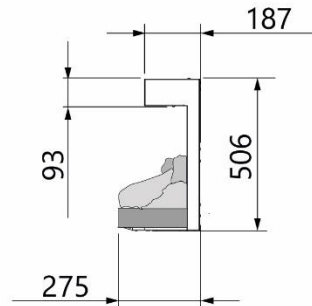
© All rights reserved. This drawing is sole property of Kalfire. No part of this drawing may be reproduced, or published, in any form or in any way without written permission from Kalfire.

22-1-2024

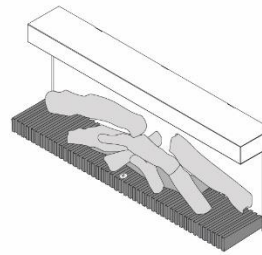
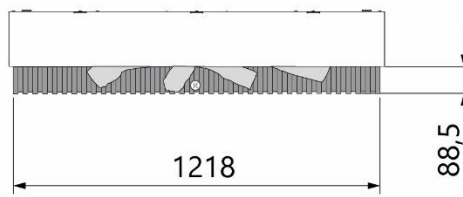
Front view



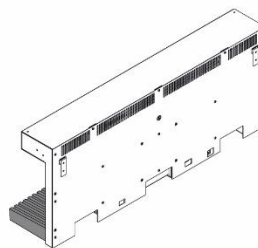
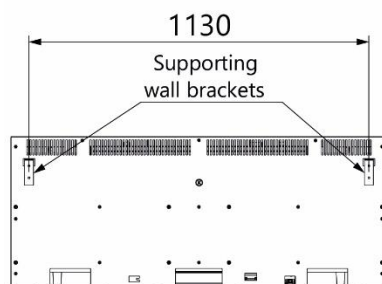
Side view



Top view



Rear view



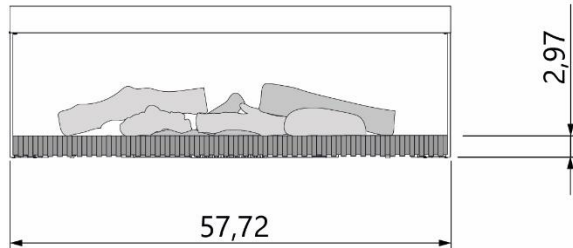
All dimensions are in mm. Modifications under reserve.

22-1-2024

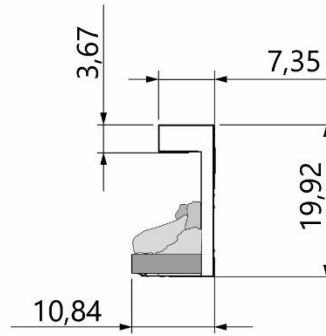
Weight indication: 34 kg.

© All rights reserved. This drawing is sole property of Kalfire. No part of this drawing may be reproduced, or published, in any form or in any way without written permission from Kalfire.

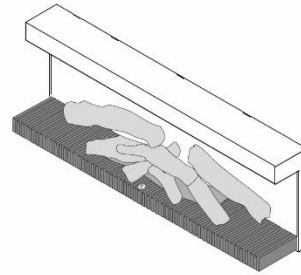
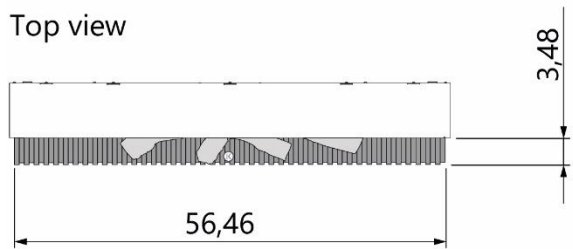
Front view



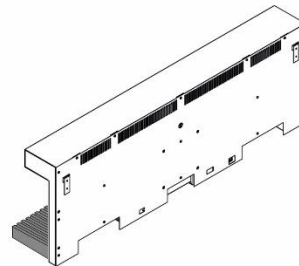
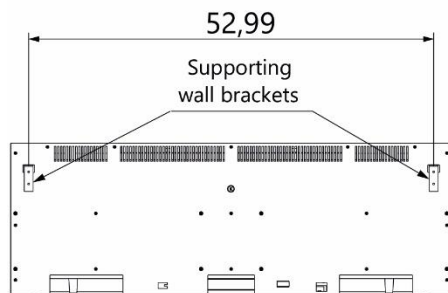
Side view



Top view



Rear view



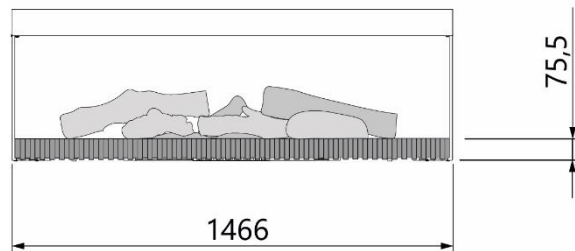
All dimensions are in inch. Modifications under reserve.

22-1-2024

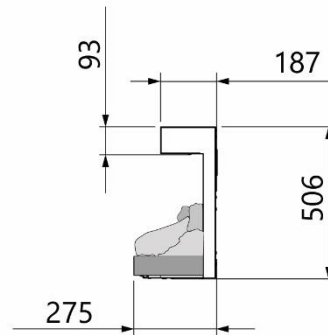
Weight indication: 79 lbs.

© All rights reserved. This drawing is sole property of Kalfire. No part of this drawing may be reproduced, or published, in any form or in any way without written permission from Kalfire.

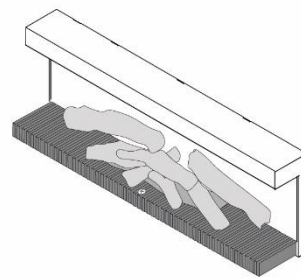
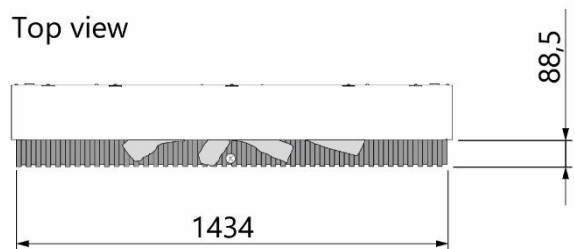
Front view



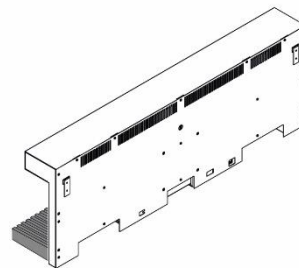
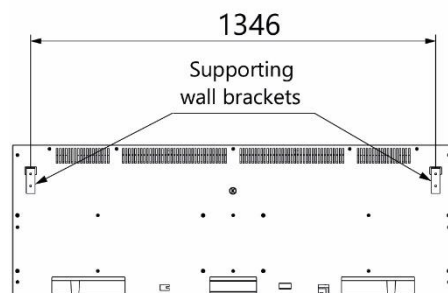
Side view



Top view



Rear view



All dimensions are in mm. Modifications under reserve.

22-1-2024

Weight indication: 36 kg.

© All rights reserved. This drawing is sole property of Kalfire. No part of this drawing may be reproduced, or published, in any form or in any way without written permission from Kalfire.

KALFIRE

FIREPLACES

Kalfire B.V.
Geloërveldweg 21
5951DH Belfeld

www.kalfire.com