

RVL2420

FIRECLAY DUAL MOUNT SINK

RUVATI[®]
SPECIFICATION SHEET

MATERIAL

- True Italian Fireclay - Made in ITALY.
- 1-inch thick solid fireclay.
- Fired at 2900F for extreme strength.

FEATURES

- Large deep bowl.
- Rounded inside corners.
- Glossy enamel surface resistant to stains and scratches.



COLOR OPTIONS

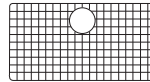
BL: Glossy Black

WH: Glossy White

IN THE BOX



Basket Strainer
[RVA1039ST]



Rinse Grid
[RVA63030]

NOMINAL DIMENSIONS

Exterior: 24" (wide) x 18" (front-to-back)
Interior Bowl: 21-1/2" (wide) x 15-3/4" (front-to-back)
Bowl Depth: 9"
Minimum Cabinet Size: 27" wide
Drain Hole Size: 3 1/2"

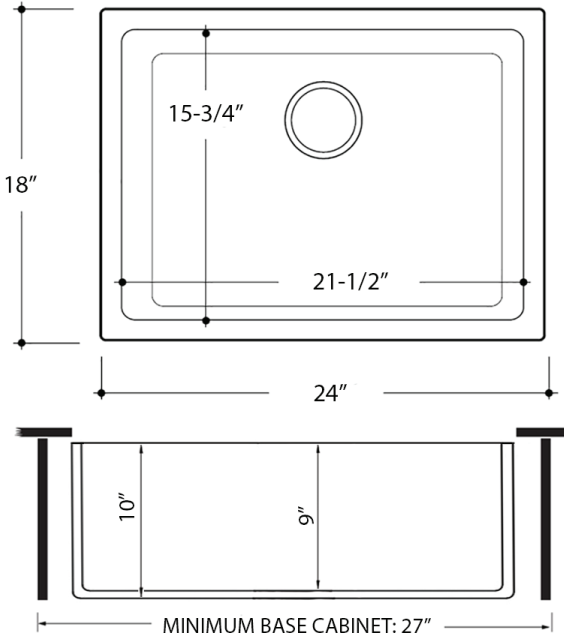
Installation Type:
Farmhouse
Inside Corners:
Rounded
Drain Location:
Rear Center

OPTIONAL ACCESSORIES (SOLD SEPARATELY)



Deep Basket
Disposal Flange
[RVA1049ST]

DIMENSIONS



NOTE: Dimensions provided as a guide only. Use actual sink for cutout measurements.

Register your product at www.ruvati.com/register.