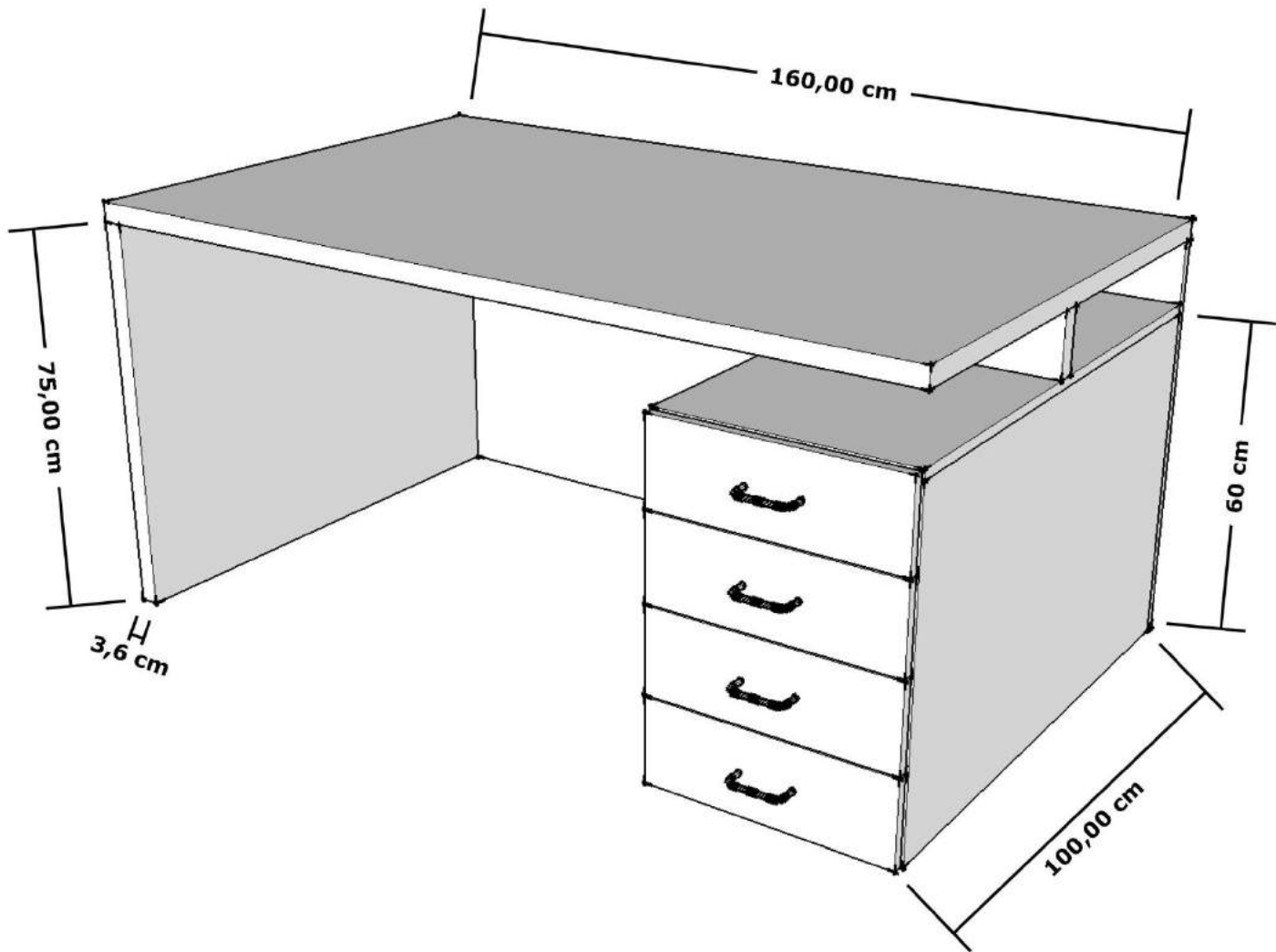


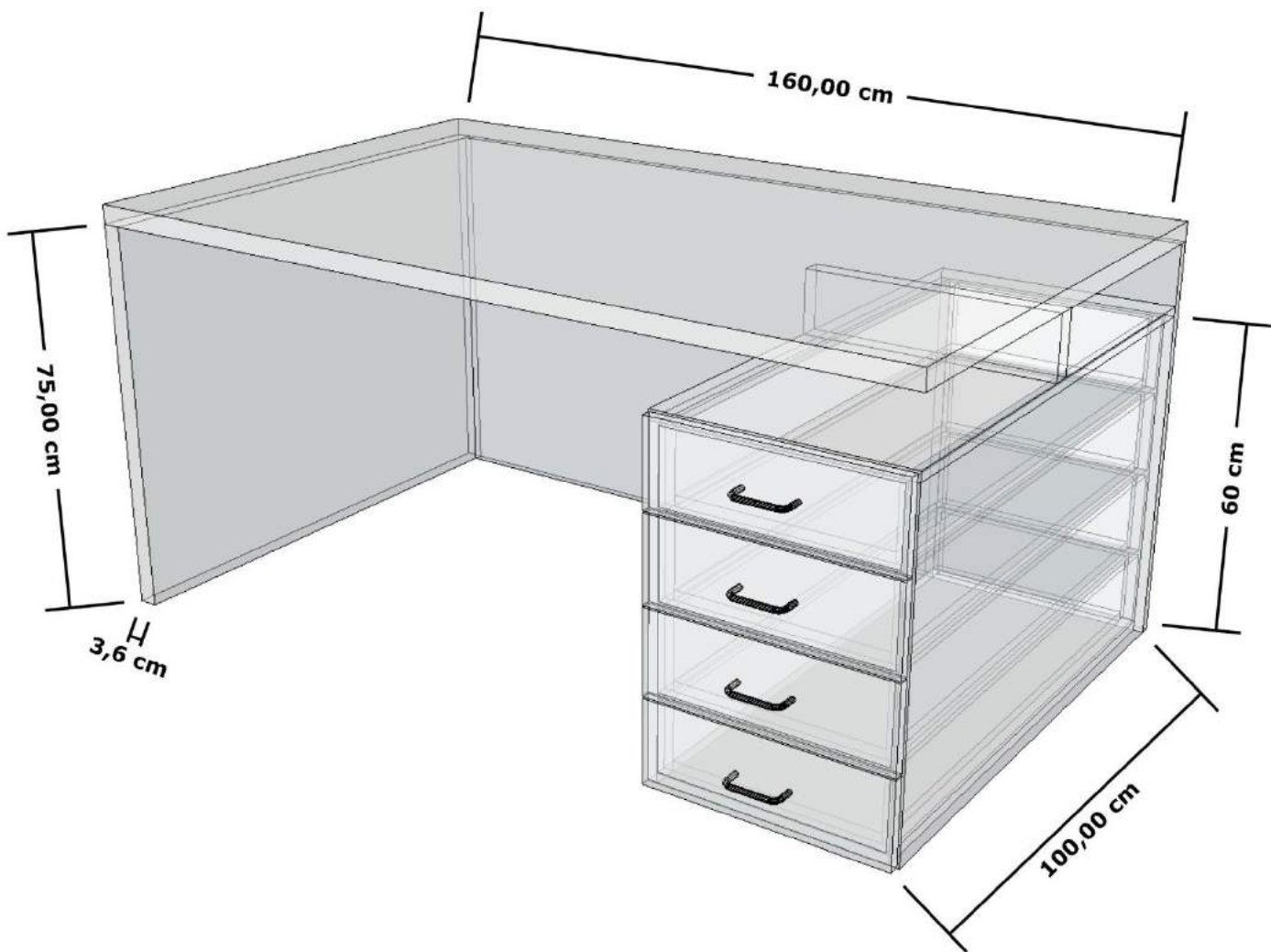


30 PLANOS

Escritorios y Mesas de madera

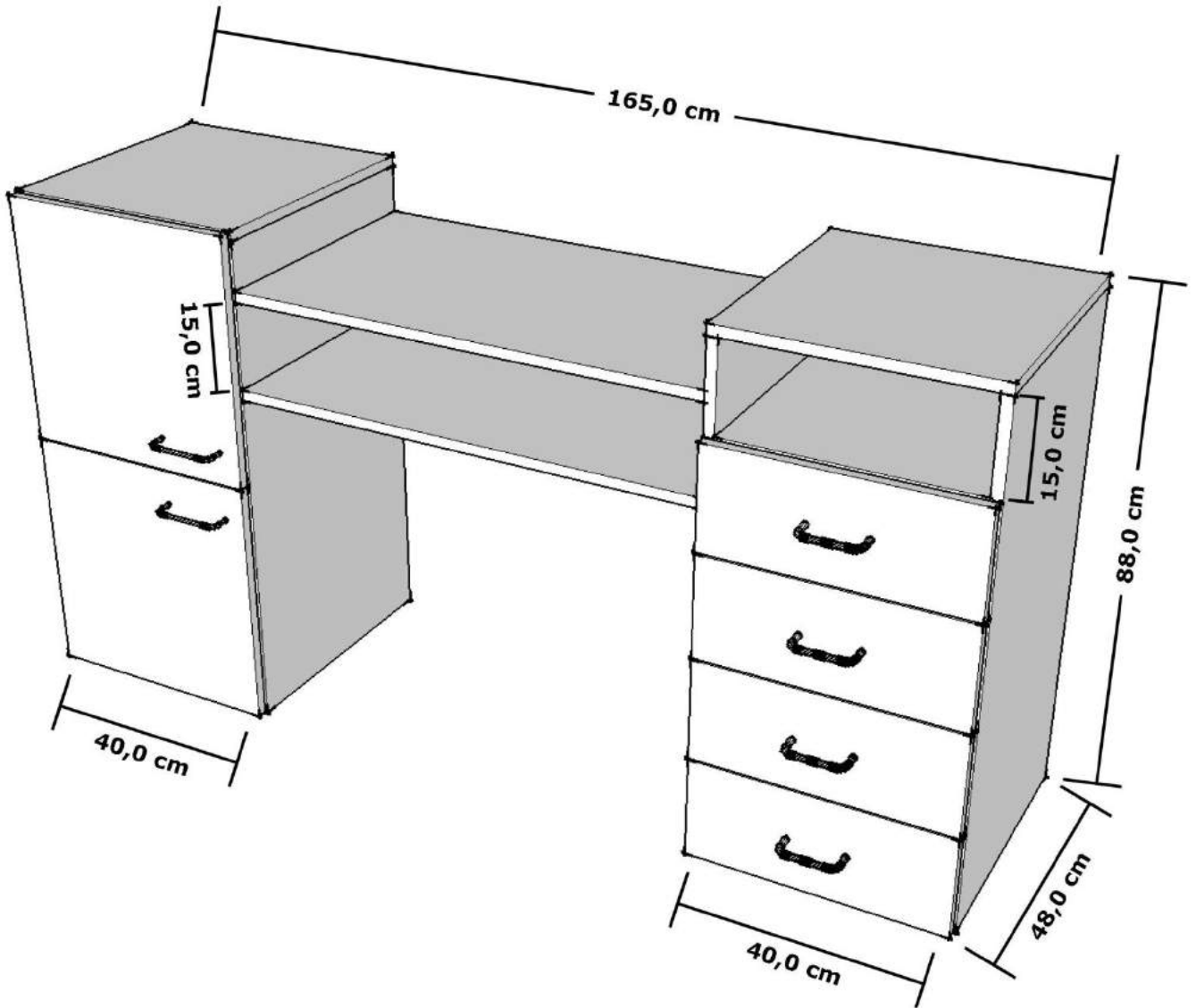
Escritorios y Mesas #01

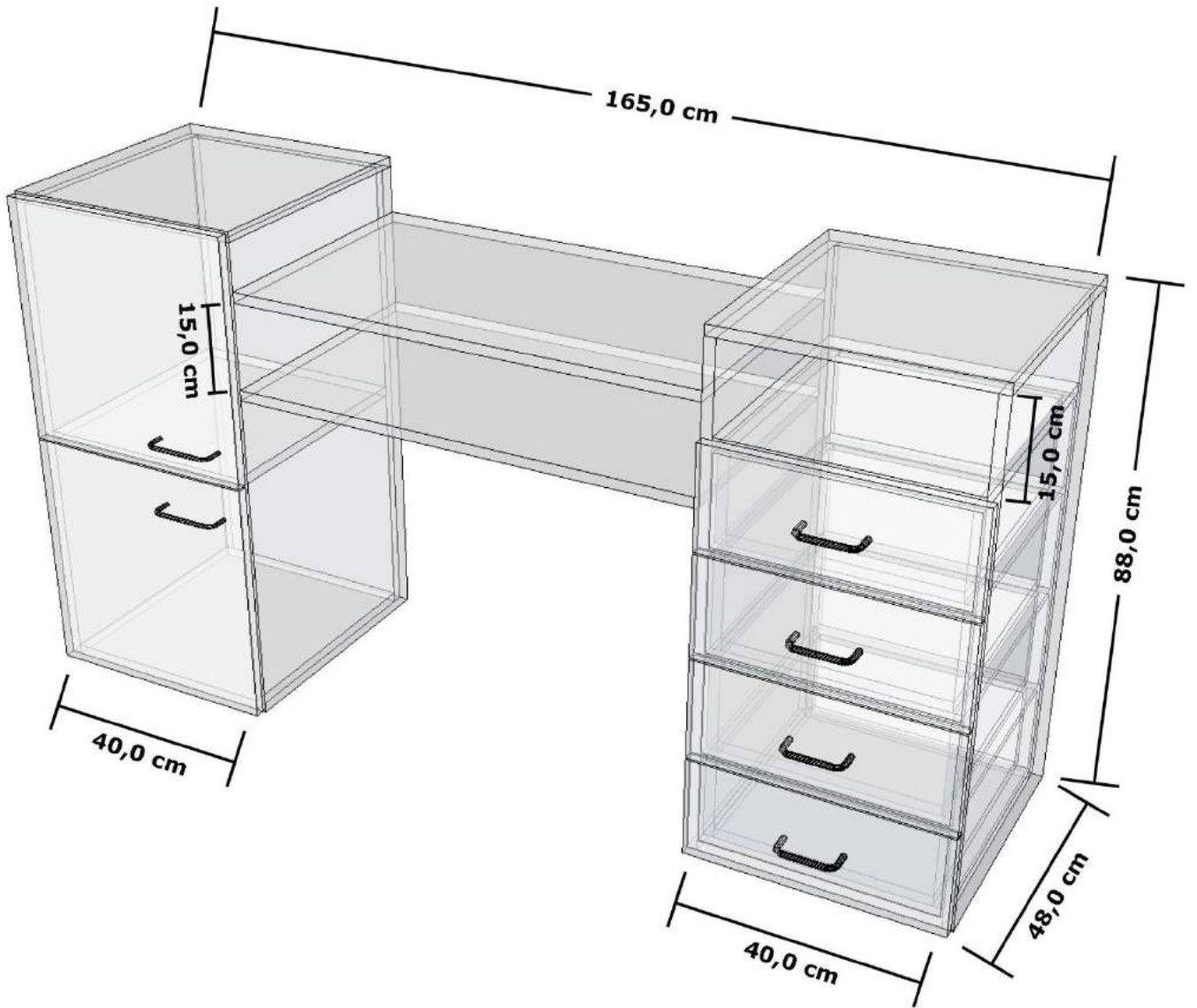




Num	Material	Referencia	Cantidad	Altura (cm)	Anchura (cm)	Espesor (cm)
1	MELA_BL 36MM, 3.6	Techo	1	165.4	99.7	3.6
2	MELA_BL, 1.8	Lateral Derecho	1	61.8	97.9	1.8
3	MELA_BL 36MM, 3.6	Lateral Izquierdo	1	75.0	99.7	3.6
4	MELA_BL, 1.8	Trasera	1	75.0	161.8	1.8
5	MELA_BL, 1.8	Estante Fijo [1]	1	45.6	97.9	1.8
6	MELA_BL, 1.8	Estante Fijo [2]	1	42.0	97.9	1.8
7	MELA_BL 36MM, 3.6	División Libre 1 [1]	1	45.6	11.4	3.6
8	MELA_BL, 1.8	División Vertical [1]	1	61.8	97.9	1.8
9	MELA_BL, 1.8	Cajón 1 [1]_1	1	15.5	45.0	1.8
10	MELA_BL, 1.8	Cajón 1 [1]_2	1	15.5	45.0	1.8
11	MELA_BL, 1.8	Cajón 1 [1]_3	1	15.5	45.0	1.8
12	MELA_BL, 1.8	Cajón 1 [1]_4	1	15.5	45.0	1.8
13	MELA_BL, 1.8	Lateral Der Cajón 1 [1]_1	1	96.0	13.2	1.8
14	MELA_BL, 1.8	Lateral Der Cajón 1 [1]_2	1	96.0	14.7	1.8
15	MELA_BL, 1.8	Lateral Der Cajón 1 [1]_3	1	96.0	14.7	1.8
16	MELA_BL, 1.8	Lateral Der Cajón 1 [1]_4	1	96.0	13.2	1.8
17	MELA_BL, 1.8	Lateral Izq Cajón 1 [1]_1	1	96.0	13.2	1.8
18	MELA_BL, 1.8	Lateral Izq Cajón 1 [1]_2	1	96.0	14.7	1.8
19	MELA_BL, 1.8	Lateral Izq Cajón 1 [1]_3	1	96.0	14.7	1.8
20	MELA_BL, 1.8	Lateral Izq Cajón 1 [1]_4	1	96.0	13.2	1.8
21	MELA_BL, 1.8	Fondo Cajón 1 [1]_1	1	94.2	37.8	1.8
22	MELA_BL, 1.8	Fondo Cajón 1 [1]_2	1	94.2	37.8	1.8
23	MELA_BL, 1.8	Fondo Cajón 1 [1]_3	1	94.2	37.8	1.8
24	MELA_BL, 1.8	Fondo Cajón 1 [1]_4	1	94.2	37.8	1.8
25	MELA_BL, 1.8	Trasera Cajón 1 [1]_1	1	37.8	13.2	1.8
26	MELA_BL, 1.8	Trasera Cajón 1 [1]_2	1	37.8	14.7	1.8
27	MELA_BL, 1.8	Trasera Cajón 1 [1]_3	1	37.8	14.7	1.8
28	MELA_BL, 1.8	Trasera Cajón 1 [1]_4	1	37.8	13.2	1.8
29	MELA_BL, 1.8	Contra-Frente Cajón 1 [1]_1	1	41.4	13.2	1.8
30	MELA_BL, 1.8	Contra-Frente Cajón 1 [1]_2	1	41.4	14.7	1.8
31	MELA_BL, 1.8	Contra-Frente Cajón 1 [1]_3	1	41.4	14.7	1.8
32	MELA_BL, 1.8	Contra-Frente Cajón 1 [1]_4	1	41.4	13.2	1.8

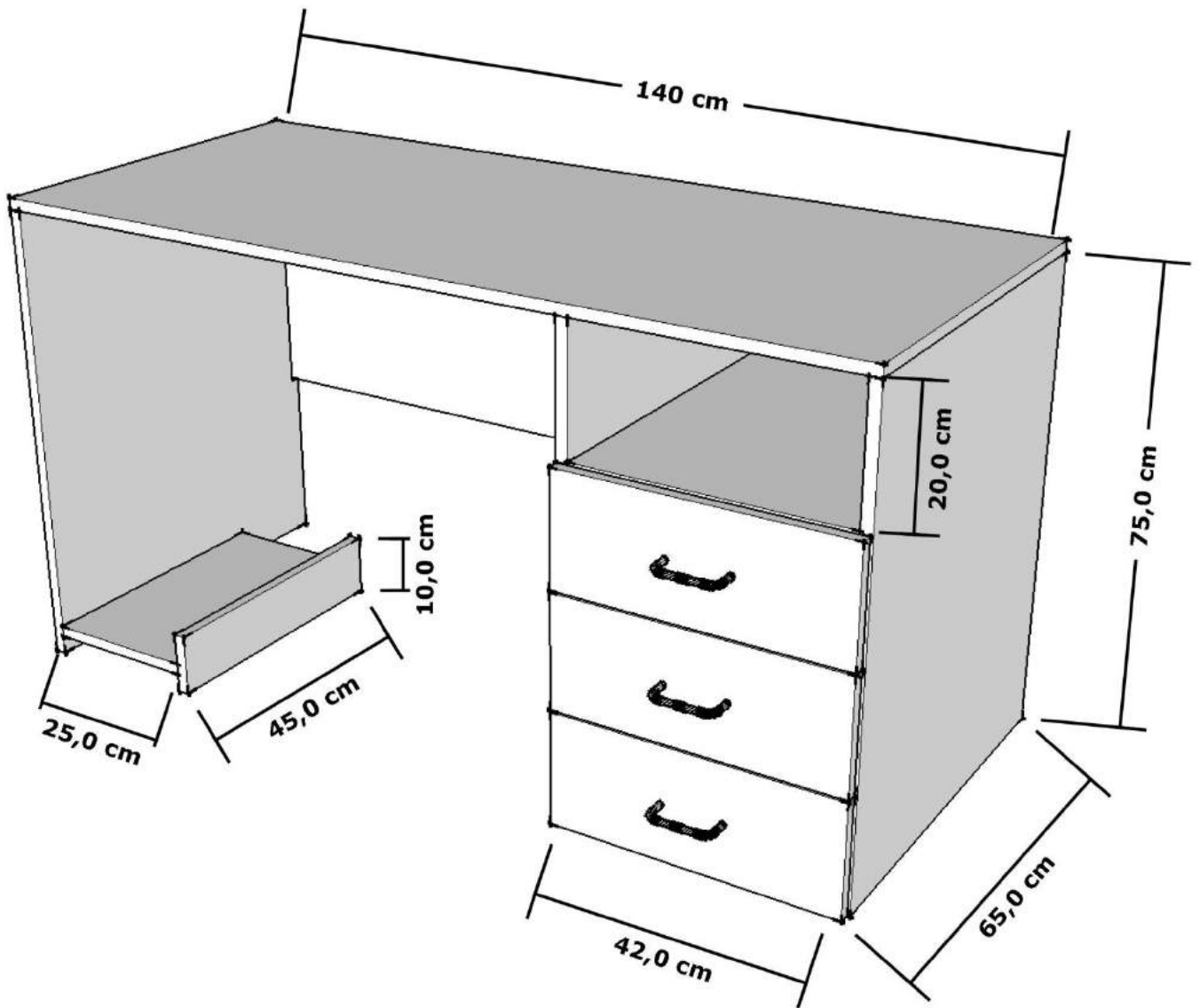
Escritorios y Mesas #02

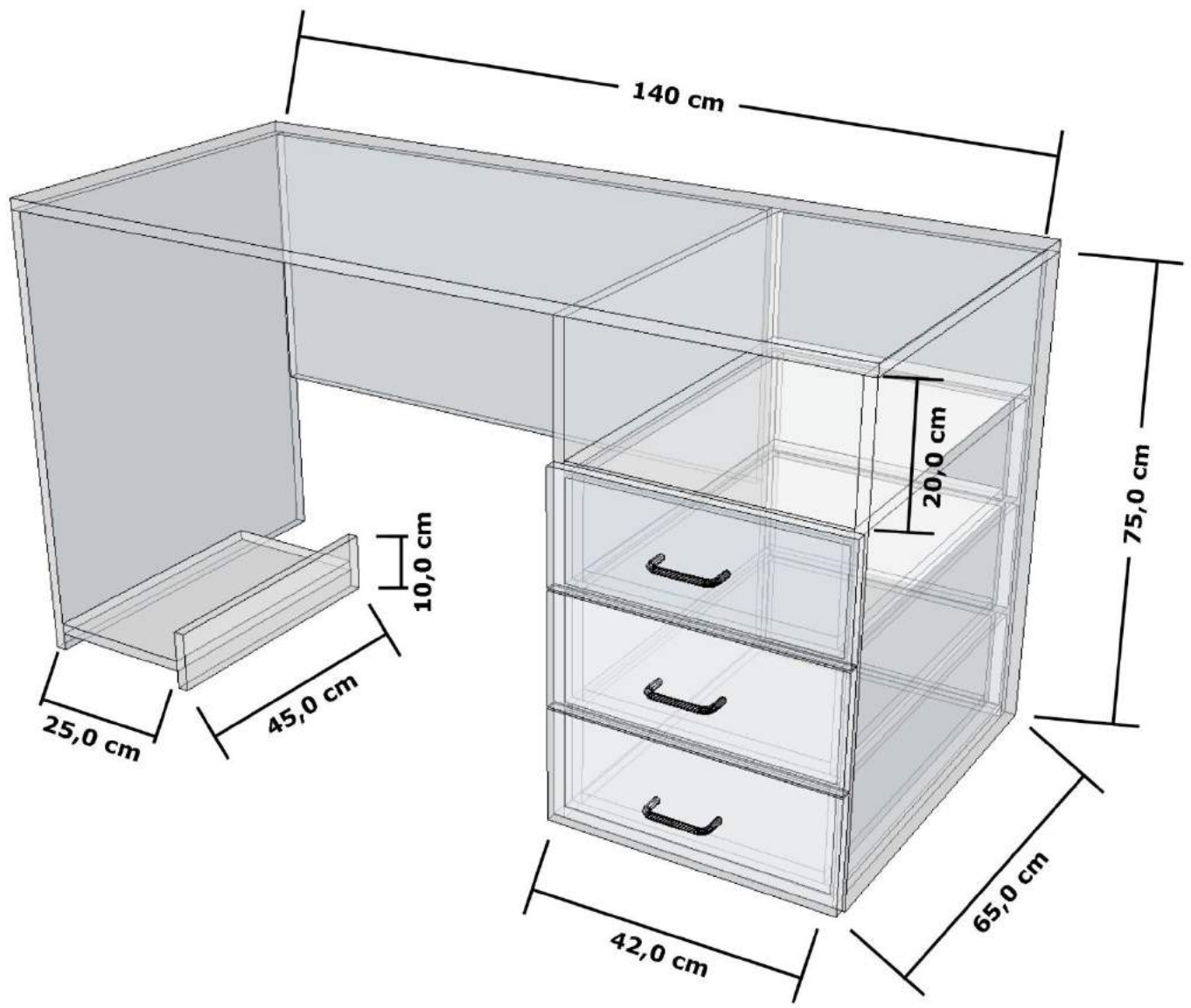




Num	Material	Referencia	Cantidad	Altura (cm)	Anchura (cm)	Espesor (cm)
1	MELA_BL, 1.8	Lateral Derecho	1	86.2	45.9	1.8
2	MELA_BL, 1.8	Lateral Izquierdo	1	86.2	45.9	1.8
3	MELA_BL, 1.8	Estante Fijo [1]	1	40.0	44.1	1.8
4	MELA_BL, 1.8	Estante Fijo [2]	1	43.6	45.9	1.8
5	MELA_BL, 1.8	Estante Fijo [3]	1	40.0	44.1	1.8
6	MELA_BL, 1.8	Estante Fijo [4]	1	40.0	44.1	1.8
7	MELA_BL, 1.8	Estante Fijo [5]	1	43.6	45.9	1.8
8	MELA_BL, 1.8	Estante Fijo [6]	1	40.0	44.1	1.8
9	MELA_BL, 1.8	Estante Fijo [7]	1	81.4	45.9	1.8
10	MELA_BL, 1.8	Estante Fijo [8]	1	81.4	45.9	1.8
11	MELA_BL, 1.8	División Libre 1 [1]	1	86.2	40.0	1.8
12	MELA_BL, 1.8	División Libre 1 [2]	1	86.2	40.0	1.8
13	MELA_BL, 1.8	División Vertical [1]	1	86.2	45.9	1.8
14	MELA_BL, 1.8	División Vertical [2]	1	86.2	45.9	1.8
15	MELA_BL, 1.8	Puerta 1 (unica) [1]	1	43.6	43.0	1.8
16	MELA_BL, 1.8	Puerta 1 (unica) [2]	1	43.6	43.0	1.8
17	MELA_BL, 1.8	Cajón 1 [1]_1	1	17.4	43.0	1.8
18	MELA_BL, 1.8	Cajón 1 [1]_2	1	17.4	43.0	1.8
19	MELA_BL, 1.8	Cajón 1 [1]_3	1	17.4	43.0	1.8
20	MELA_BL, 1.8	Cajón 1 [1]_4	1	17.4	43.0	1.8
21	MELA_BL, 1.8	Lateral Der Cajón 1 [1]_1	1	42.2	15.1	1.8
22	MELA_BL, 1.8	Lateral Der Cajón 1 [1]_2	1	42.2	16.6	1.8
23	MELA_BL, 1.8	Lateral Der Cajón 1 [1]_3	1	42.2	16.6	1.8
24	MELA_BL, 1.8	Lateral Der Cajón 1 [1]_4	1	42.2	15.1	1.8
25	MELA_BL, 1.8	Lateral Izq Cajón 1 [1]_1	1	42.2	15.1	1.8
26	MELA_BL, 1.8	Lateral Izq Cajón 1 [1]_2	1	42.2	16.6	1.8
27	MELA_BL, 1.8	Lateral Izq Cajón 1 [1]_3	1	42.2	16.6	1.8
28	MELA_BL, 1.8	Lateral Izq Cajón 1 [1]_4	1	42.2	15.1	1.8
29	MELA_BL, 1.8	Fondo Cajón 1 [1]_1	1	40.4	35.8	1.8
30	MELA_BL, 1.8	Fondo Cajón 1 [1]_2	1	40.4	35.8	1.8
31	MELA_BL, 1.8	Fondo Cajón 1 [1]_3	1	40.4	35.8	1.8
32	MELA_BL, 1.8	Fondo Cajón 1 [1]_4	1	40.4	35.8	1.8
33	MELA_BL, 1.8	Trasera Cajón 1 [1]_1	1	35.8	15.1	1.8
34	MELA_BL, 1.8	Trasera Cajón 1 [1]_2	1	35.8	16.6	1.8
35	MELA_BL, 1.8	Trasera Cajón 1 [1]_3	1	35.8	16.6	1.8
36	MELA_BL, 1.8	Trasera Cajón 1 [1]_4	1	35.8	15.1	1.8
37	MELA_BL, 1.8	Contra-Frente Cajón 1 [1]_1	1	39.4	15.1	1.8
38	MELA_BL, 1.8	Contra-Frente Cajón 1 [1]_2	1	39.4	16.6	1.8
39	MELA_BL, 1.8	Contra-Frente Cajón 1 [1]_3	1	39.4	16.6	1.8
40	MELA_BL, 1.8	Contra-Frente Cajón 1 [1]_4	1	39.4	15.1	1.8

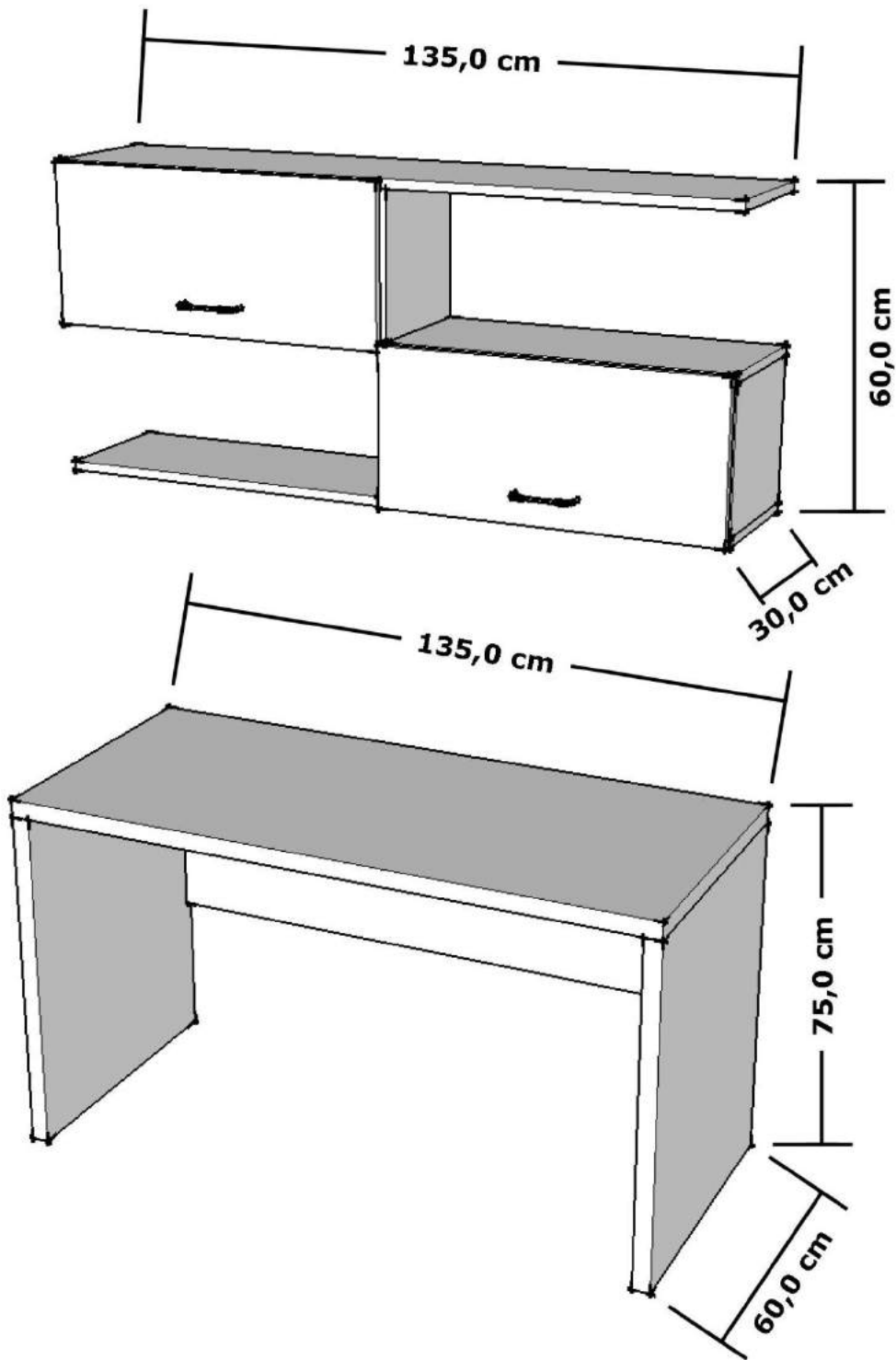
Escritorios y Mesas #03

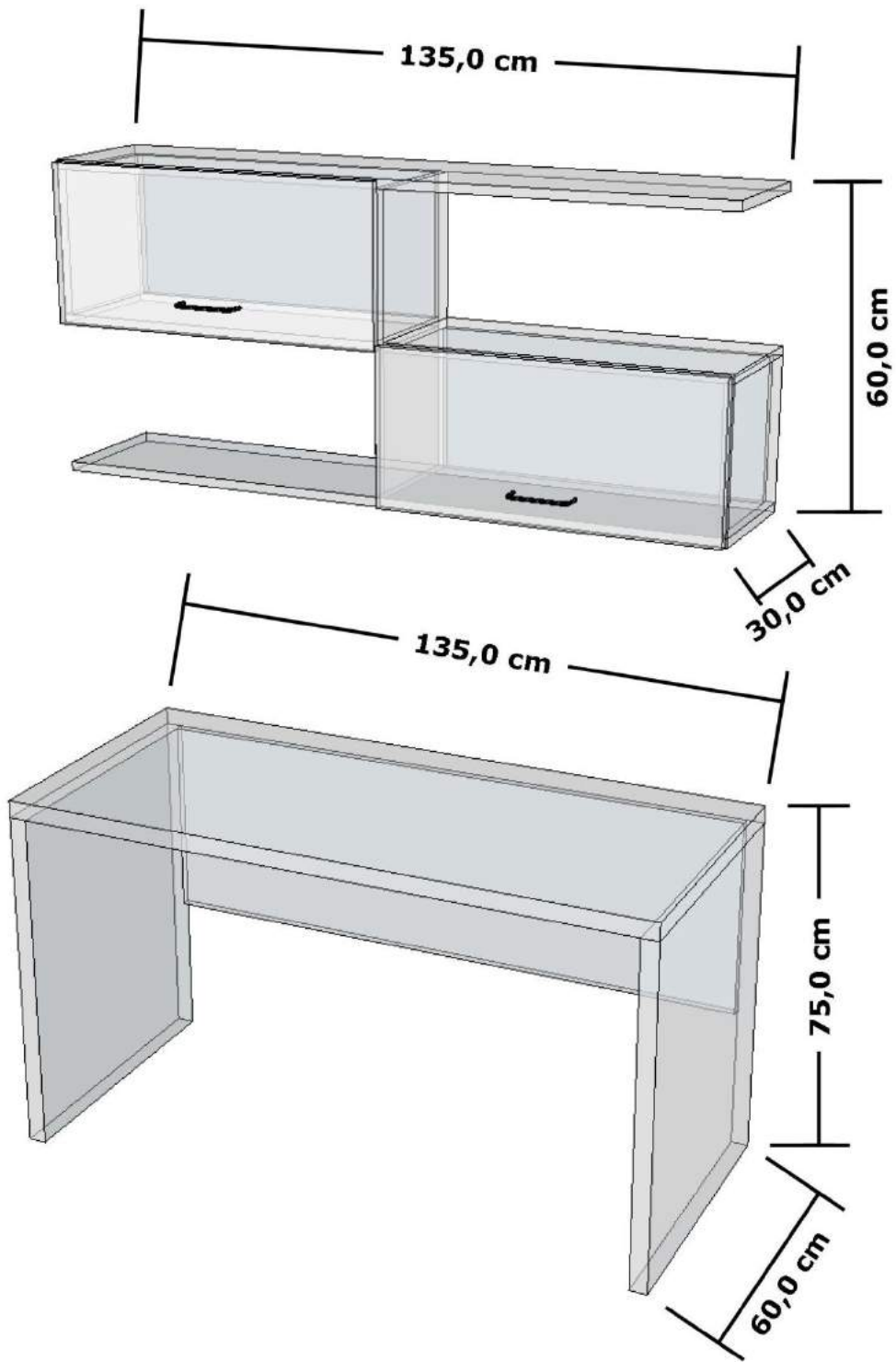




Num	Material	Referencia	Cantidad	Altura (cm)	Anchura (cm)	Espesor (cm)
1	MELA_BL, 1.8	Techo	1	143.6	62.9	1.8
2	MELA_BL, 1.8	Lateral Derecho	1	75.0	62.9	1.8
3	MELA_BL, 1.8	Lateral Izquierdo	1	75.0	62.9	1.8
4	MELA_BL, 1.8	Estante Fijo [1]	1	42.0	61.1	1.8
5	MELA_BL, 1.8	Estante Fijo [2]	1	42.0	61.1	1.8
6	MELA_BL, 1.8	Estante Fijo [3]	1	25.0	45.0	1.8
7	MELA_BL, 1.8	División Libre 1 [1]	1	75.0	42.0	1.8
8	MELA_BL, 1.8	División Libre 1 [2]	1	96.2	45.2	1.8
9	MELA_BL, 1.8	División Vertical [1]	1	75.0	62.9	1.8
10	MELA_BL, 1.8	División Vertical [2]	1	10.0	45.0	1.8
11	MELA_BL, 1.8	Cajón 1 [1]_1	1	17.9	45.0	1.8
12	MELA_BL, 1.8	Cajón 1 [1]_2	1	17.9	45.0	1.8
13	MELA_BL, 1.8	Cajón 1 [1]_3	1	17.9	45.0	1.8
14	MELA_BL, 1.8	Lateral Der Cajón 1 [1]_1	1	59.2	15.6	1.8
15	MELA_BL, 1.8	Lateral Der Cajón 1 [1]_2	1	59.2	17.1	1.8
16	MELA_BL, 1.8	Lateral Der Cajón 1 [1]_3	1	59.2	15.6	1.8
17	MELA_BL, 1.8	Lateral Izq Cajón 1 [1]_1	1	59.2	15.6	1.8
18	MELA_BL, 1.8	Lateral Izq Cajón 1 [1]_2	1	59.2	17.1	1.8
19	MELA_BL, 1.8	Lateral Izq Cajón 1 [1]_3	1	59.2	15.6	1.8
20	MELA_BL, 1.8	Fondo Cajón 1 [1]_1	1	57.4	37.8	1.8
21	MELA_BL, 1.8	Fondo Cajón 1 [1]_2	1	57.4	37.8	1.8
22	MELA_BL, 1.8	Fondo Cajón 1 [1]_3	1	57.4	37.8	1.8
23	MELA_BL, 1.8	Trasera Cajón 1 [1]_1	1	37.8	15.6	1.8
24	MELA_BL, 1.8	Trasera Cajón 1 [1]_2	1	37.8	17.1	1.8
25	MELA_BL, 1.8	Trasera Cajón 1 [1]_3	1	37.8	15.6	1.8
26	MELA_BL, 1.8	Contra-Frente Cajón 1 [1]_1	1	41.4	15.6	1.8
27	MELA_BL, 1.8	Contra-Frente Cajón 1 [1]_2	1	41.4	17.1	1.8
28	MELA_BL, 1.8	Contra-Frente Cajón 1 [1]_3	1	41.4	15.6	1.8

Escritorios y Mesas #04

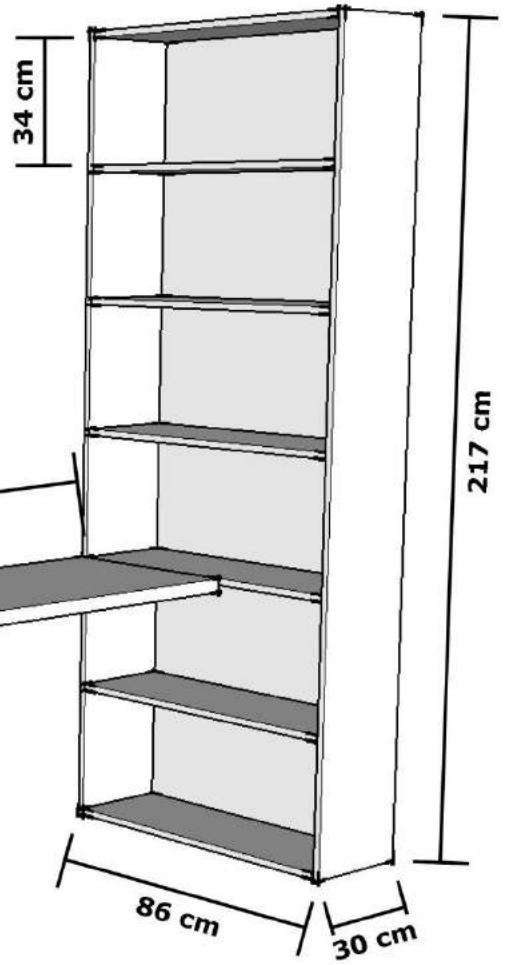
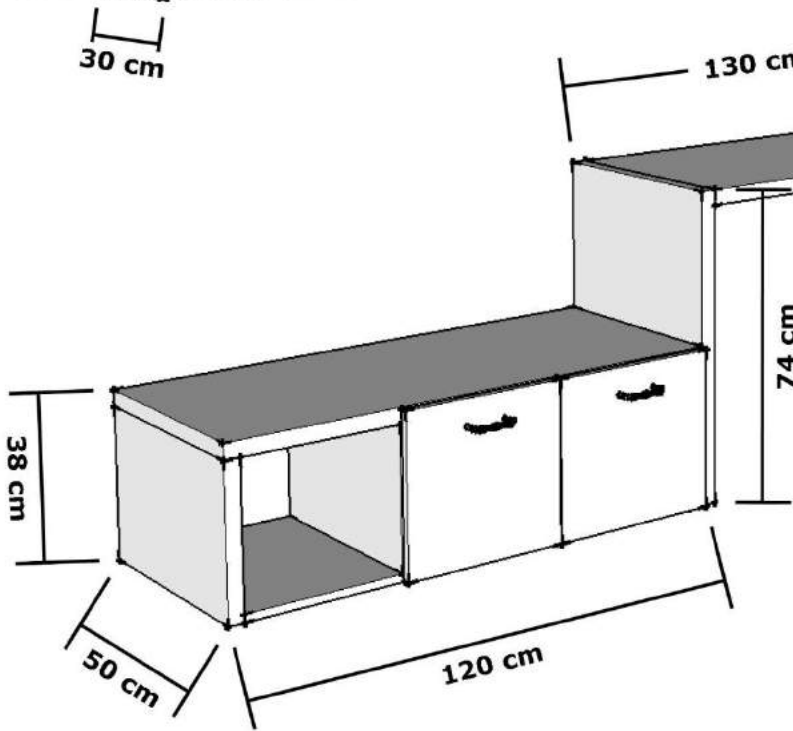
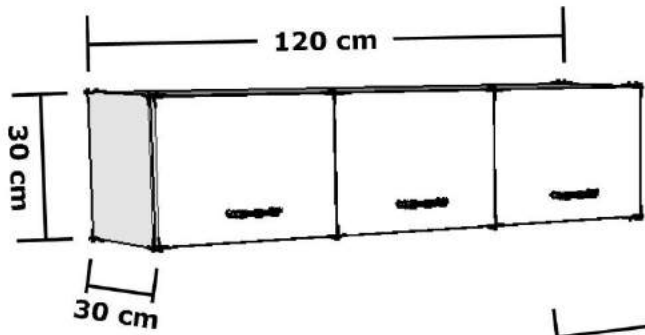


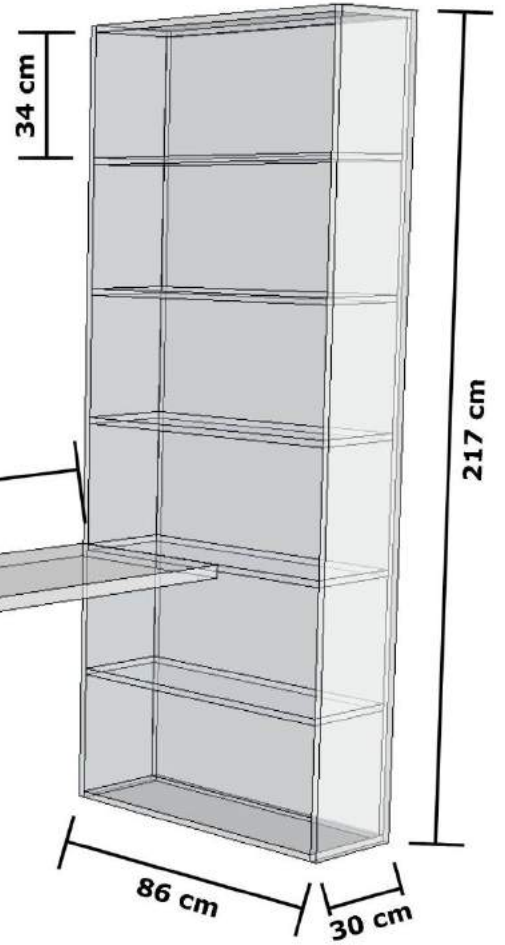
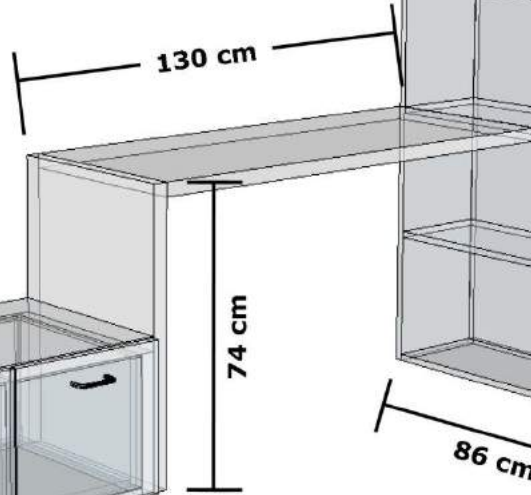
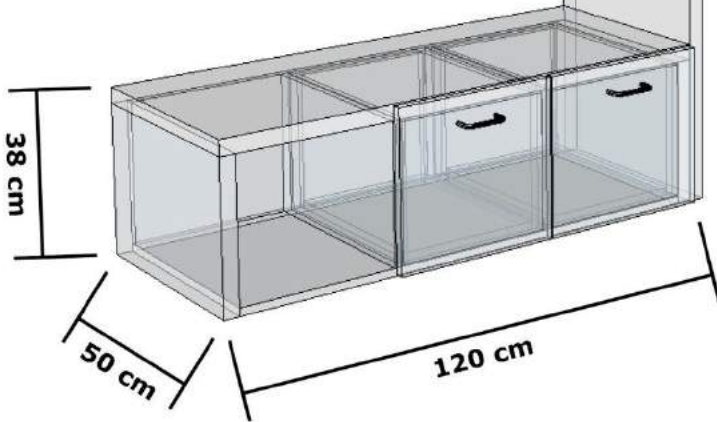
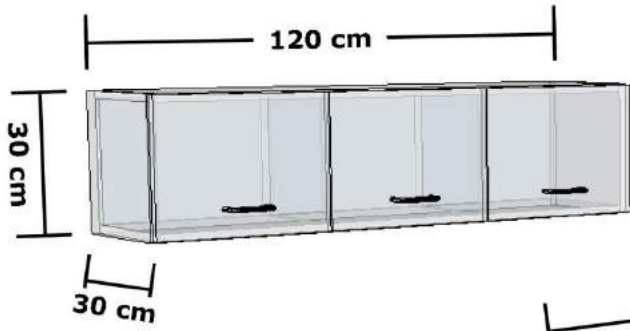


Num	Material	Referencia	Cantidad	Altura (cm)	Anchura (cm)	Espesor (cm)
1	MELA_BL 36MM, 3.6	Techo	1	135.0	60.0	3.6
2	MELA_BL 36MM, 3.6	Lateral Derecho	1	71.4	60.0	3.6
3	MELA_BL 36MM, 3.6	Lateral Izquierdo	1	71.4	60.0	3.6
4	MELA_BL, 1.8	División Libre 1 [1]	1	127.8	41.4	1.8

Num	Material	Referencia	Cantidad	Altura (cm)	Anchura (cm)	Espesor (cm)
1	MELA_BL, 1.8	Techo	1	135.0	27.9	1.8
2	MELA_BL, 1.8	Suelo	1	135.0	27.9	1.8
3	MELA_BL, 1.8	Estante Fijo [1]	1	66.6	27.9	1.8
4	MELA_BL, 1.8	Estante Fijo [2]	1	66.6	27.9	1.8
5	MELA_BL, 1.8	División Libre 1 [1]	1	64.8	27.3	1.8
6	MELA_BL, 1.8	División Libre 1 [2]	1	64.8	27.3	1.8
7	MELA_BL, 1.8	División Vertical [1]	1	56.4	27.9	1.8
8	MELA_BL, 1.8	División Vertical [2]	1	27.3	27.9	1.8
9	MELA_BL, 1.8	División Vertical [3]	1	27.3	27.9	1.8
10	MELA_BL, 1.8	Puerta 1 (única) [1]	1	30.3	67.1	1.8
11	MELA_BL, 1.8	Puerta 1 (única) [2]	1	30.3	67.1	1.8

Escritorios y Mesas #05





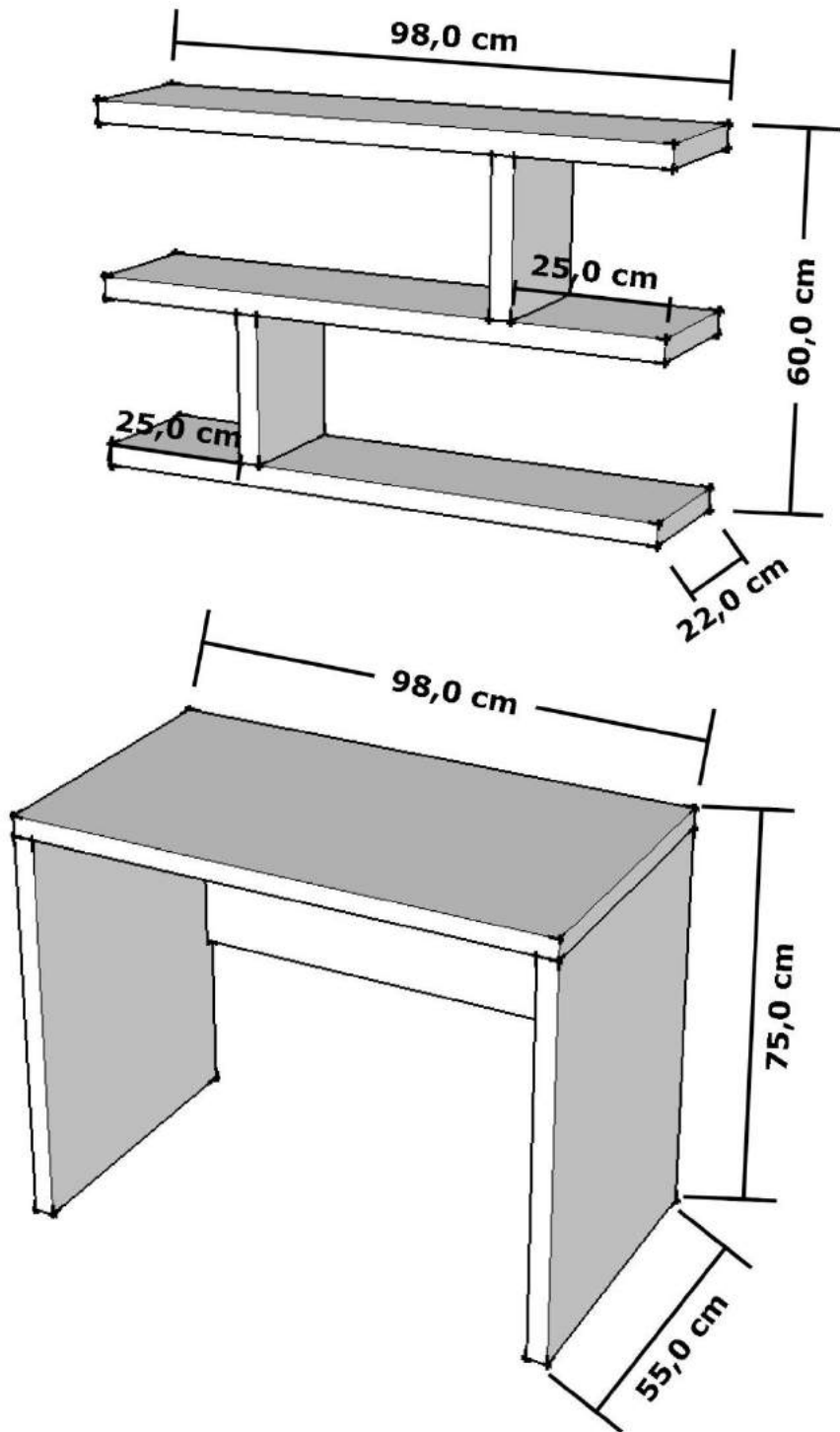
Num	Material	Referencia	Cantidad	Altura (cm)	Anchura (cm)	Espesor (cm)
1	MELA_BL 36MM, 3.6	Techo	1	120.0	49.7	3.6
2	MELA_BL, 1.8	Suelo	1	112.8	49.7	1.8
3	MELA_BL 36MM, 3.6	Lateral Derecho	1	33.9	49.7	3.6
4	MELA_BL 36MM, 3.6	Lateral Izquierdo	1	33.9	49.7	3.6
5	MELA_BL, 1.8	Trasera	1	32.1	112.8	1.8
6	MELA_BL, 1.8	División Vertical [1]	1	32.1	47.9	1.8
7	MELA_BL, 1.8	División Vertical [2]	1	32.1	47.9	1.8
8	MELA_BL, 1.8	Cajón 1 [1]	1	36.9	40.5	1.8
9	MELA_BL, 1.8	Cajón 1 [2]	1	36.9	38.7	1.8
10	MELA_BL, 1.8	Lateral Der Cajón 1 [1]	1	46.0	31.3	1.8
11	MELA_BL, 1.8	Lateral Der Cajón 1 [2]	1	46.0	31.3	1.8
12	MELA_BL, 1.8	Lateral Izq Cajón 1 [1]	1	46.0	31.3	1.8
13	MELA_BL, 1.8	Lateral Izq Cajón 1 [2]	1	46.0	31.3	1.8
14	MELA_BL, 1.8	Fondo Cajón 1 [1]	1	44.2	32.2	1.8
15	MELA_BL, 1.8	Fondo Cajón 1 [2]	1	44.2	32.2	1.8
16	MELA_BL, 1.8	Trasera Cajón 1 [1]	1	32.2	31.3	1.8
17	MELA_BL, 1.8	Trasera Cajón 1 [2]	1	32.2	31.3	1.8
18	MELA_BL, 1.8	Contra-Frente Cajón 1 [1]	1	35.8	31.3	1.8
19	MELA_BL, 1.8	Contra-Frente Cajón 1 [2]	1	35.8	31.3	1.8

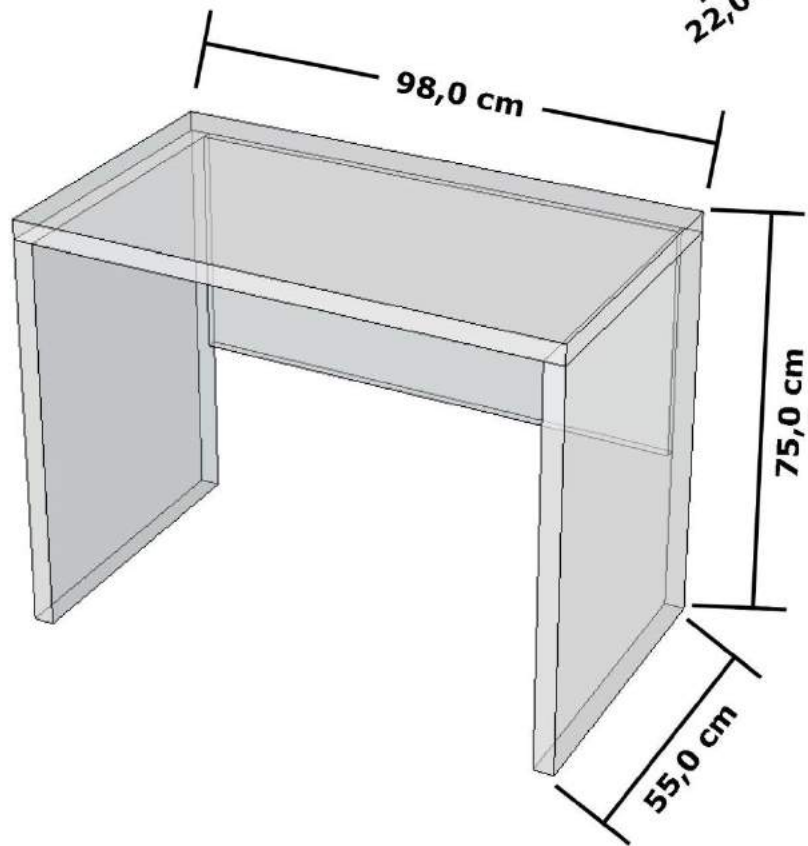
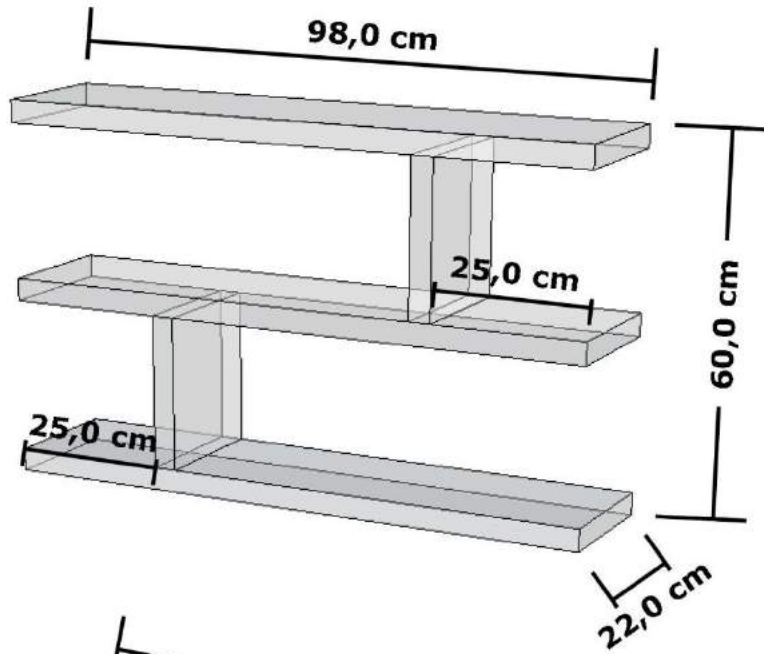
Num	Material	Referencia	Cantidad	Altura (cm)	Anchura (cm)	Espesor (cm)
1	MELA_BL 36MM, 3.6	Techo	1	126.4	50.0	3.6
2	MELA_BL 36MM, 3.6	Lateral Izquierdo	1	73.5	50.0	3.6

Num	Material	Referencia	Cantidad	Altura (cm)	Anchura (cm)	Espesor (cm)
1	MELA_BL, 1.8	Techo	1	82.0	30.0	1.8
2	MELA_BL, 1.8	Suelo	1	82.0	30.0	1.8
3	MELA_BL, 1.8	Lateral Derecho	1	217.0	30.0	1.8
4	MELA_BL, 1.8	Lateral Izquierdo	1	217.0	30.0	1.8
5	MELA_BL, 1.8	Trasera	1	213.4	82.0	1.8
6	MELA_BL, 1.8	Estante Fijo [1]	1	82.0	28.2	1.8
7	MELA_BL, 1.8	Estante Fijo [2]	1	82.0	28.2	1.8
8	MELA_BL, 1.8	Estante Fijo [3]	1	82.0	28.2	1.8
9	MELA_BL, 1.8	Estante Fijo [4]	1	82.0	28.2	1.8
10	MELA_BL, 1.8	Estante Fijo [5]	1	82.0	28.2	1.8

Num	Material	Referencia	Cantidad	Altura (cm)	Anchura (cm)	Espesor (cm)
1	MELA_BL, 1.8	Techo	1	116.4	27.9	1.8
2	MELA_BL, 1.8	Suelo	1	116.4	27.9	1.8
3	MELA_BL, 1.8	Lateral Derecho	1	30.0	27.9	1.8
4	MELA_BL, 1.8	Lateral Izquierdo	1	30.0	27.9	1.8
5	MELA_BL, 1.8	Trasera	1	26.4	116.4	1.8
6	MELA_BL, 1.8	División Vertical [1]	1	26.4	26.1	1.8
7	MELA_BL, 1.8	División Vertical [2]	1	26.4	26.1	1.8
8	MELA_BL, 1.8	Puerta 1 (unica) [1]	1	29.4	39.9	1.8
9	MELA_BL, 1.8	Puerta 1 (unica) [2]	1	29.4	39.1	1.8
10	MELA_BL, 1.8	Puerta 1 (unica) [3]	1	29.4	39.9	1.8

Escritorios y Mesas #06

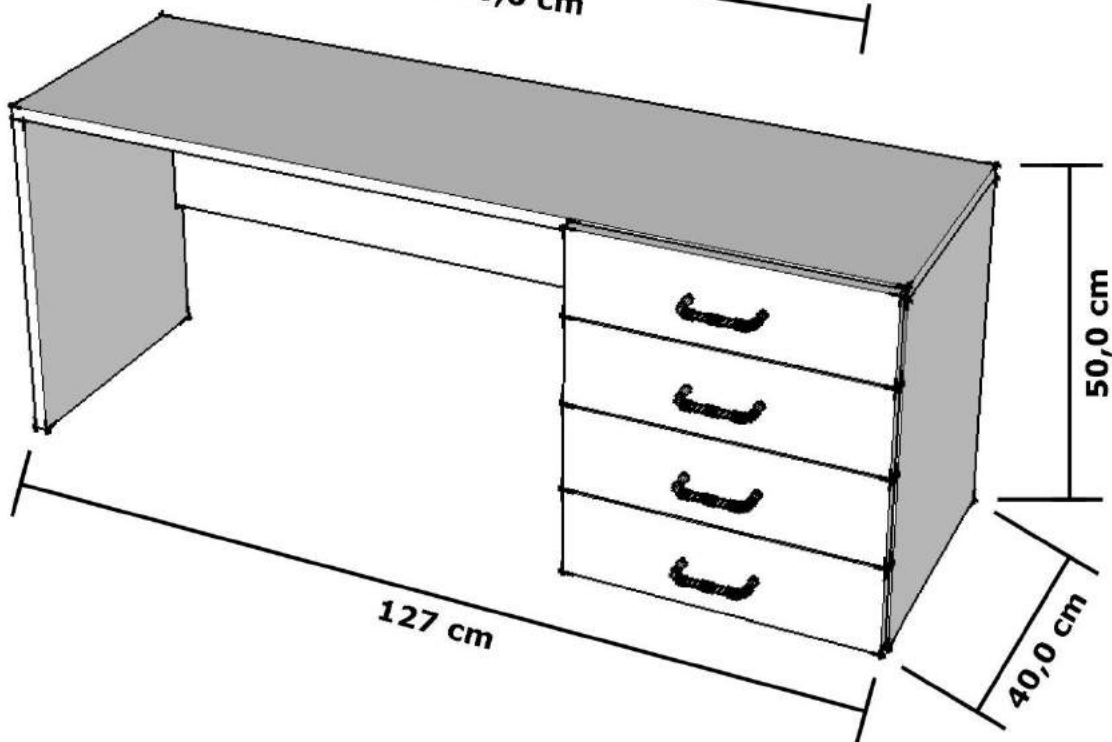
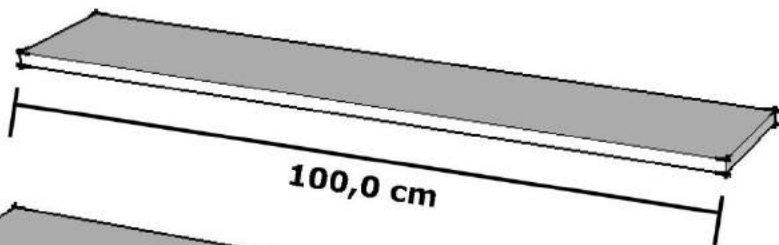
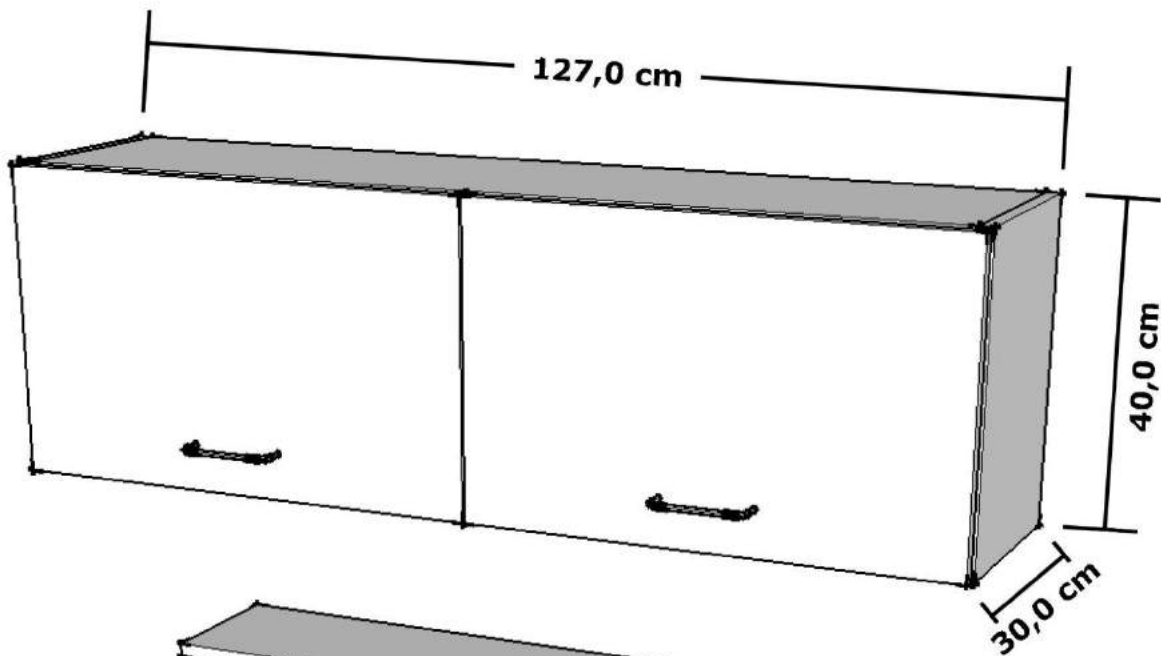


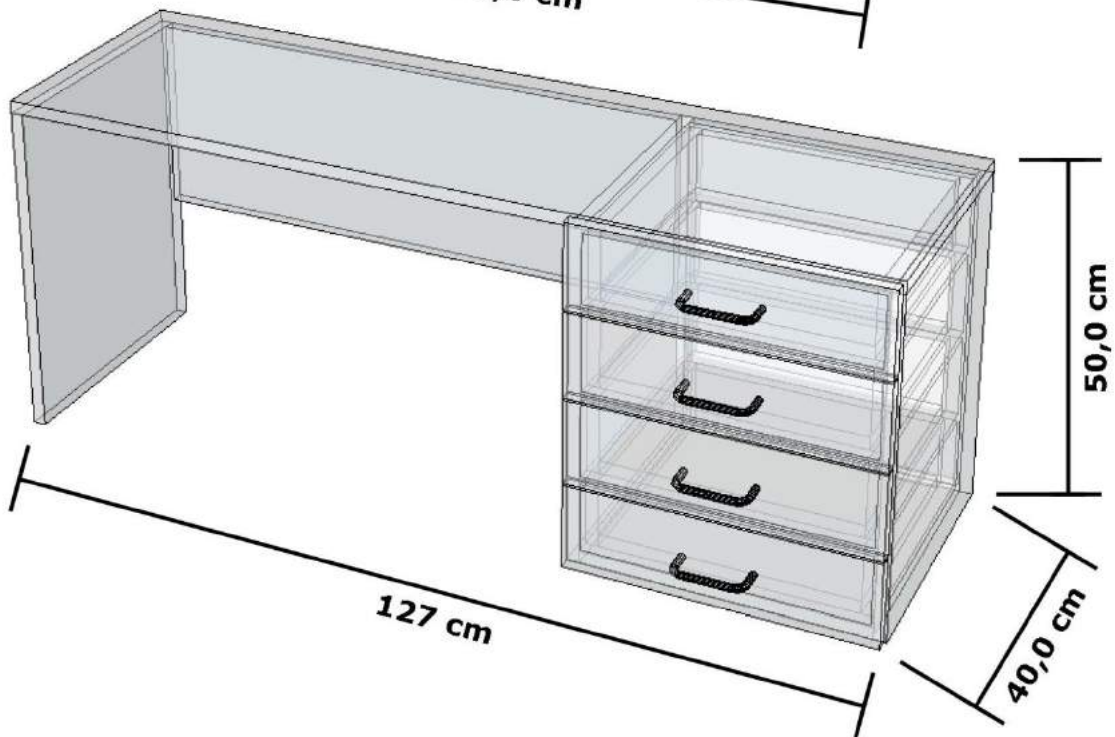
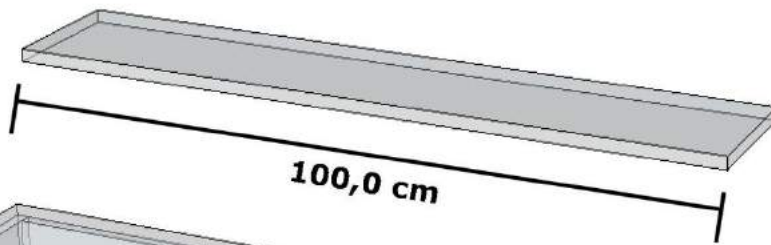
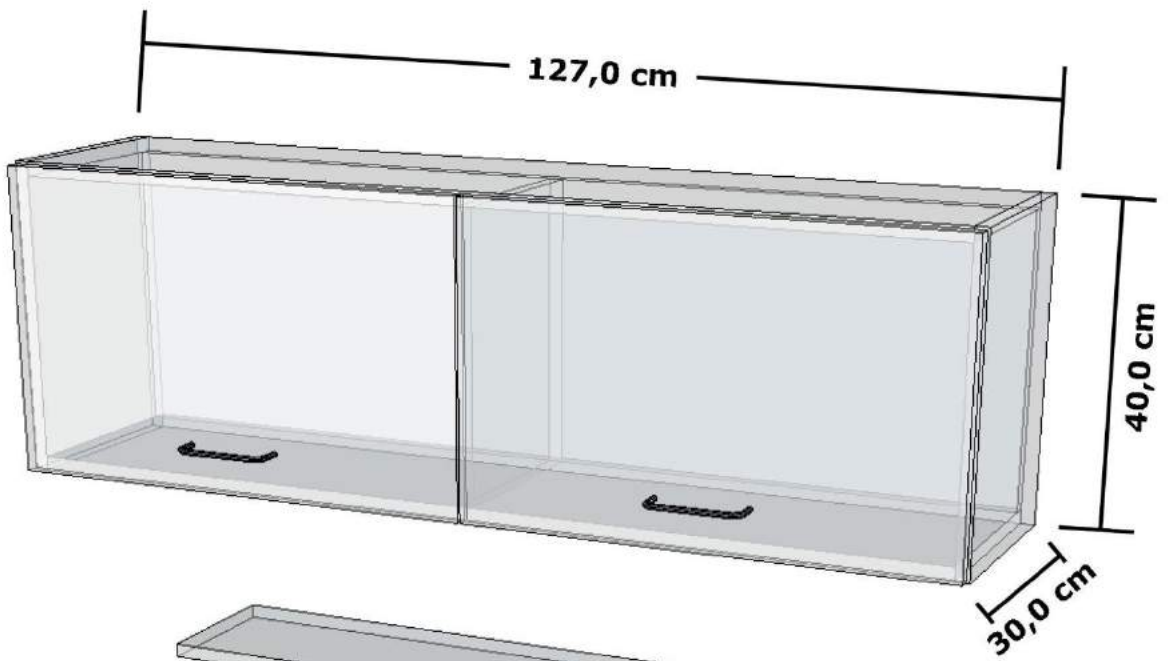


Num	Material	Referencia	Cantidad	Altura (cm)	Anchura (cm)	Espesor (cm)
1	MELA_BL 36MM, 3.6	Techo	1	98.0	55.0	3.6
2	MELA_BL 36MM, 3.6	Lateral Derecho	1	71.4	55.0	3.6
3	MELA_BL 36MM, 3.6	Lateral Izquierdo	1	71.4	55.0	3.6
4	MELA_BL, 1.8	División Libre 1 [1]	1	90.8	41.4	1.8

Num	Material	Referencia	Cantidad	Altura (cm)	Anchura (cm)	Espesor (cm)
1	MELA_BL 36MM, 3.6	Techo	1	98.0	22.0	3.6
2	MELA_BL 36MM, 3.6	Suelo	1	98.0	22.0	3.6
3	MELA_BL 36MM, 3.6	Estante Fijo [1]	1	98.0	22.0	3.6
4	MELA_BL 36MM, 3.6	División Vertical [1]	1	24.6	22.0	3.6
5	MELA_BL 36MM, 3.6	División Vertical [2]	1	24.6	22.0	3.6

Escritorios y Mesas #07



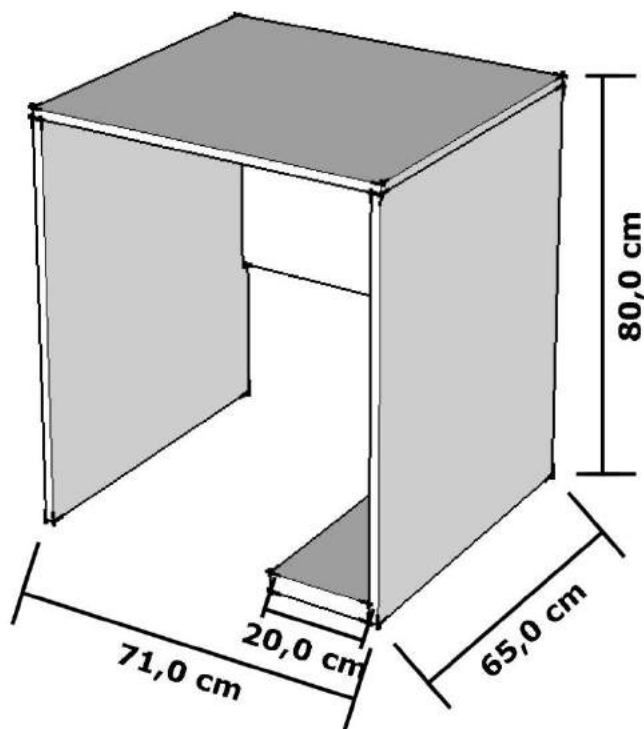
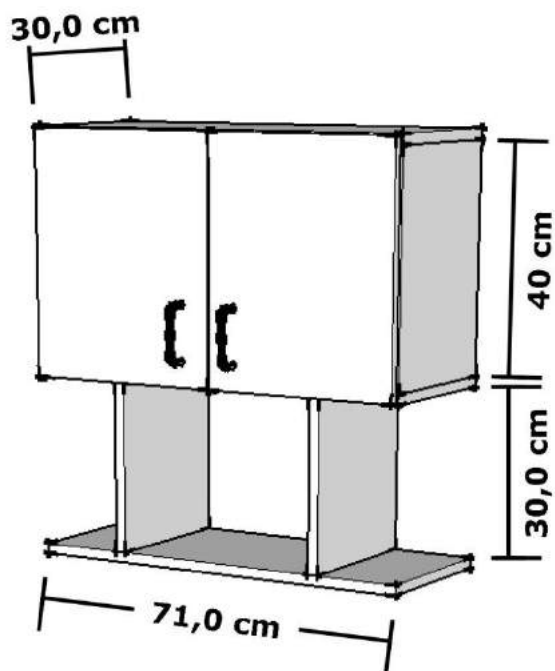


Num	Material	Referencia	Cantidad	Altura (cm)	Anchura (cm)	Espesor (cm)
1	MELA_BL, 1.8	Techo	1	127.0	37.9	1.8
2	MELA_BL, 1.8	Lateral Derecho	1	48.2	37.9	1.8
3	MELA_BL, 1.8	Lateral Izquierdo	1	48.2	37.9	1.8
4	MELA_BL, 1.8	Estante Fijo [1]	1	40.0	37.9	1.8
5	MELA_BL, 1.8	División Libre 1 [1]	1	46.4	40.0	1.8
6	MELA_BL, 1.8	División Libre 1 [2]	1	81.6	28.2	1.8
7	MELA_BL, 1.8	División Vertical [1]	1	48.2	37.9	1.8
8	MELA_BL, 1.8	Cajón 1 [1]_1	1	12.1	43.0	1.8
9	MELA_BL, 1.8	Cajón 1 [1]_2	1	12.1	43.0	1.8
10	MELA_BL, 1.8	Cajón 1 [1]_3	1	12.1	43.0	1.8
11	MELA_BL, 1.8	Cajón 1 [1]_4	1	12.1	43.0	1.8
12	MELA_BL, 1.8	Lateral Der Cajón 1 [1]_1	1	34.2	9.8	1.8
13	MELA_BL, 1.8	Lateral Der Cajón 1 [1]_2	1	34.2	11.3	1.8
14	MELA_BL, 1.8	Lateral Der Cajón 1 [1]_3	1	34.2	11.3	1.8
15	MELA_BL, 1.8	Lateral Der Cajón 1 [1]_4	1	34.2	9.8	1.8
16	MELA_BL, 1.8	Lateral Izq Cajón 1 [1]_1	1	34.2	9.8	1.8
17	MELA_BL, 1.8	Lateral Izq Cajón 1 [1]_2	1	34.2	11.3	1.8
18	MELA_BL, 1.8	Lateral Izq Cajón 1 [1]_3	1	34.2	11.3	1.8
19	MELA_BL, 1.8	Lateral Izq Cajón 1 [1]_4	1	34.2	9.8	1.8
20	MELA_BL, 1.8	Fondo Cajón 1 [1]_1	1	35.8	32.4	1.8
21	MELA_BL, 1.8	Fondo Cajón 1 [1]_2	1	35.8	32.4	1.8
22	MELA_BL, 1.8	Fondo Cajón 1 [1]_3	1	35.8	32.4	1.8
23	MELA_BL, 1.8	Fondo Cajón 1 [1]_4	1	35.8	32.4	1.8
24	MELA_BL, 1.8	Trasera Cajón 1 [1]_1	1	35.8	9.8	1.8
25	MELA_BL, 1.8	Trasera Cajón 1 [1]_2	1	35.8	11.3	1.8
26	MELA_BL, 1.8	Trasera Cajón 1 [1]_3	1	35.8	11.3	1.8
27	MELA_BL, 1.8	Trasera Cajón 1 [1]_4	1	35.8	9.8	1.8
28	MELA_BL, 1.8	Contra-Frente Cajón 1 [1]_1	1	39.4	9.8	1.8
29	MELA_BL, 1.8	Contra-Frente Cajón 1 [1]_2	1	39.4	11.3	1.8
30	MELA_BL, 1.8	Contra-Frente Cajón 1 [1]_3	1	39.4	11.3	1.8
31	MELA_BL, 1.8	Contra-Frente Cajón 1 [1]_4	1	39.4	9.8	1.8

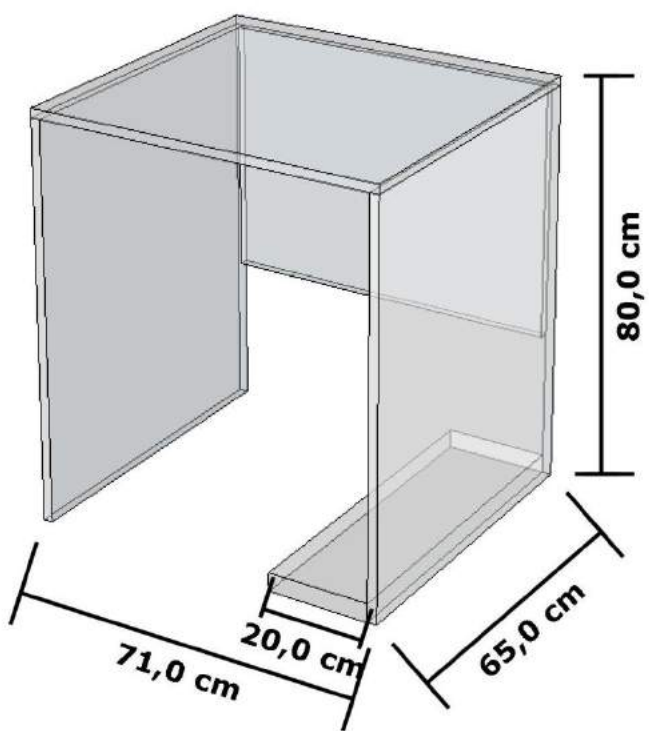
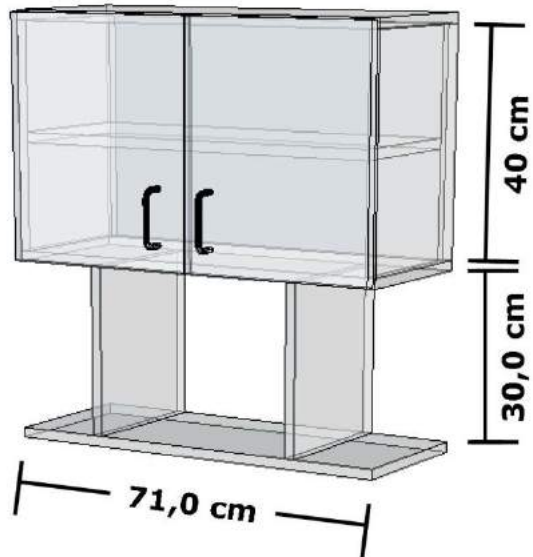
Num	Material	Referencia	Cantidad	Altura (cm)	Anchura (cm)	Espesor (cm)
1	MELA_BL, 1.8	Suelo	1	100.0	20.0	1.8

Num	Material	Referencia	Cantidad	Altura (cm)	Anchura (cm)	Espesor (cm)
1	MELA_BL, 1.8	Techo	1	123.4	27.9	1.8
2	MELA_BL, 1.8	Suelo	1	123.4	27.9	1.8
3	MELA_BL, 1.8	Lateral Derecho	1	40.0	27.9	1.8
4	MELA_BL, 1.8	Lateral Izquierdo	1	40.0	27.9	1.8
5	MELA_BL, 1.8	Trasera	1	36.4	123.4	1.8
6	MELA_BL, 1.8	División Vertical [1]	1	36.4	26.1	1.8
7	MELA_BL, 1.8	Puerta 1 (unica) [1]	1	39.4	63.1	1.8
8	MELA_BL, 1.8	Puerta 1 (unica) [2]	1	39.4	63.1	1.8

Escritorios y Mesas #08



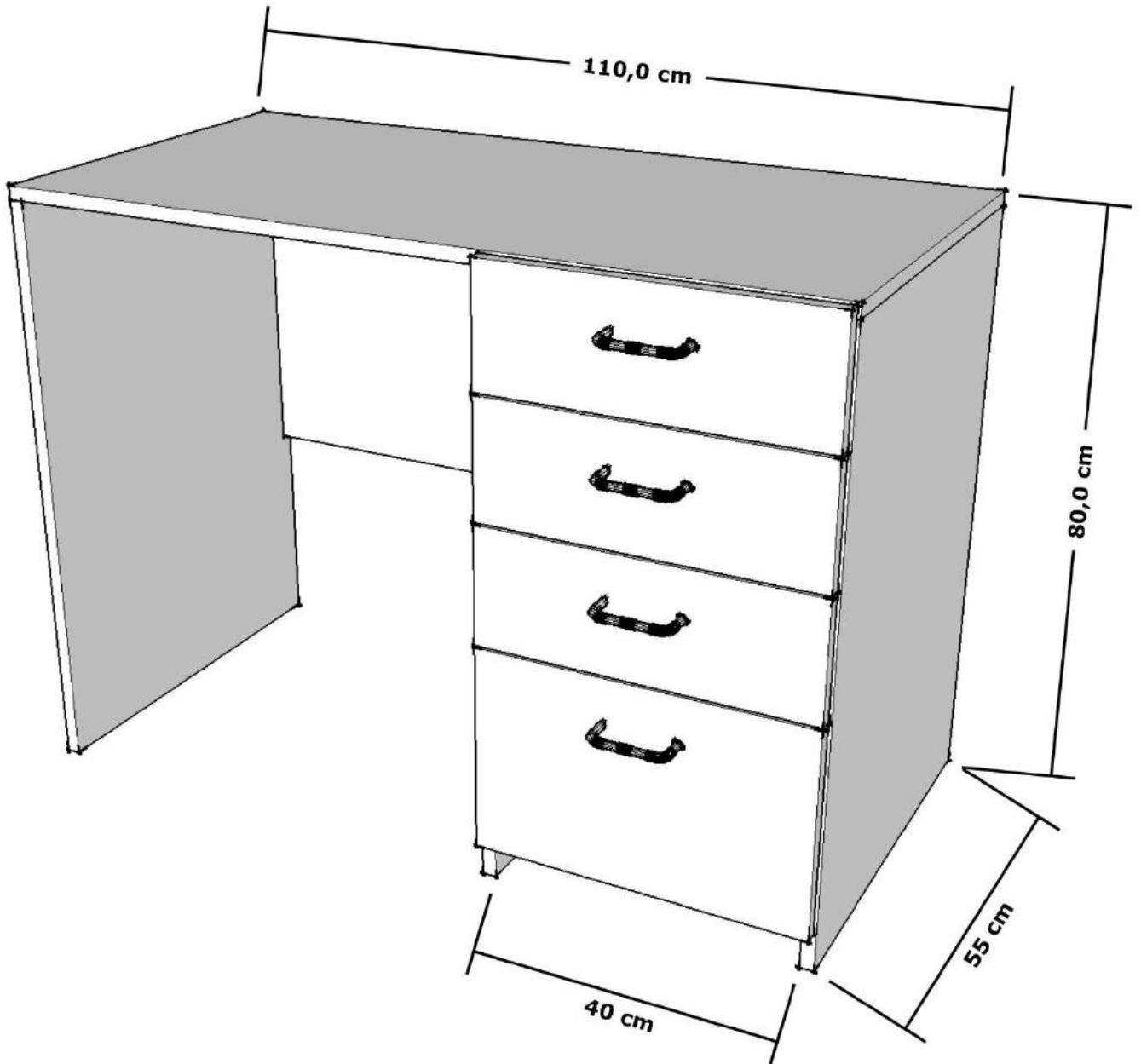
30,0 cm

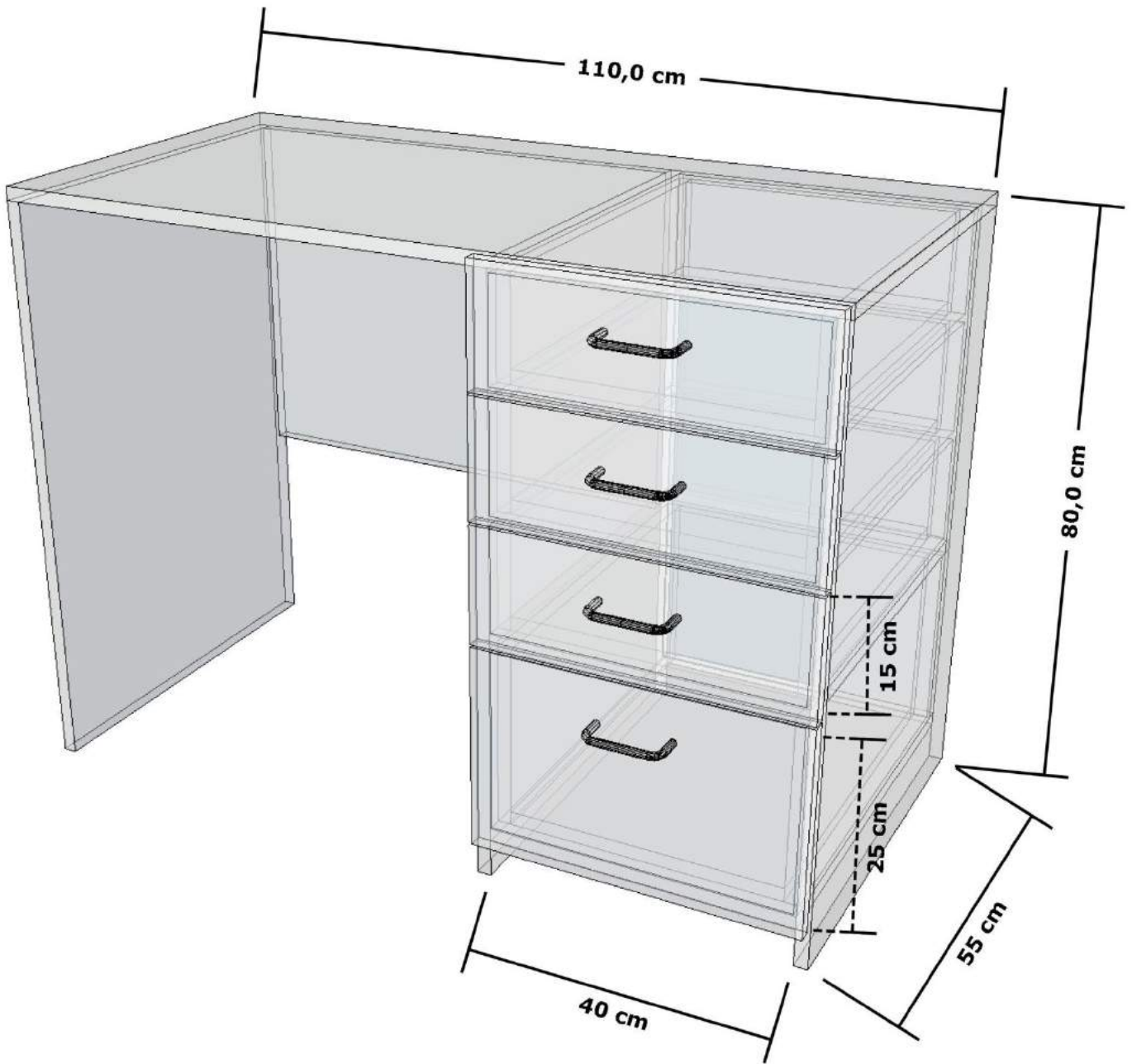


Num	Material	Referencia	Cantidad	Altura (cm)	Anchura (cm)	Espesor (cm)
1	MELA_BL, 1.8	Techo	1	71.0	65.0	1.8
2	MELA_BL, 1.8	Lateral Derecho	1	78.2	65.0	1.8
3	MELA_BL, 1.8	Lateral Izquierdo	1	78.2	65.0	1.8
4	MELA_BL 36MM, 3.6	Estante Fijo [1]	1	20.0	65.0	3.6
5	MELA_BL, 1.8	División Libre 1 [1]	1	67.4	49.6	1.8

Num	Material	Referencia	Cantidad	Altura (cm)	Anchura (cm)	Espesor (cm)
1	MELA_BL, 1.8	Techo	1	71.0	27.9	1.8
2	MELA_BL, 1.8	Suelo	1	71.0	27.9	1.8
3	MELA_BL, 1.8	Estante Fijo [1]	1	71.0	27.9	1.8
4	MELA_BL, 1.8	Estante Fijo [2]	1	67.4	26.1	1.8
5	MELA_BL, 1.8	División Libre 1 [1]	1	67.4	39.6	1.8
6	MELA_BL, 1.8	División Vertical [1]	1	39.6	27.9	1.8
7	MELA_BL, 1.8	División Vertical [2]	1	39.6	27.9	1.8
8	MELA_BL, 1.8	División Vertical [3]	1	30.0	27.9	1.8
9	MELA_BL, 1.8	División Vertical [4]	1	30.0	27.9	1.8
10	MELA_BL, 1.8	Puerta 1 (doble) [1]_1	1	42.6	35.1	1.8
11	MELA_BL, 1.8	Puerta 1 (doble) [1]_2	1	42.6	35.1	1.8

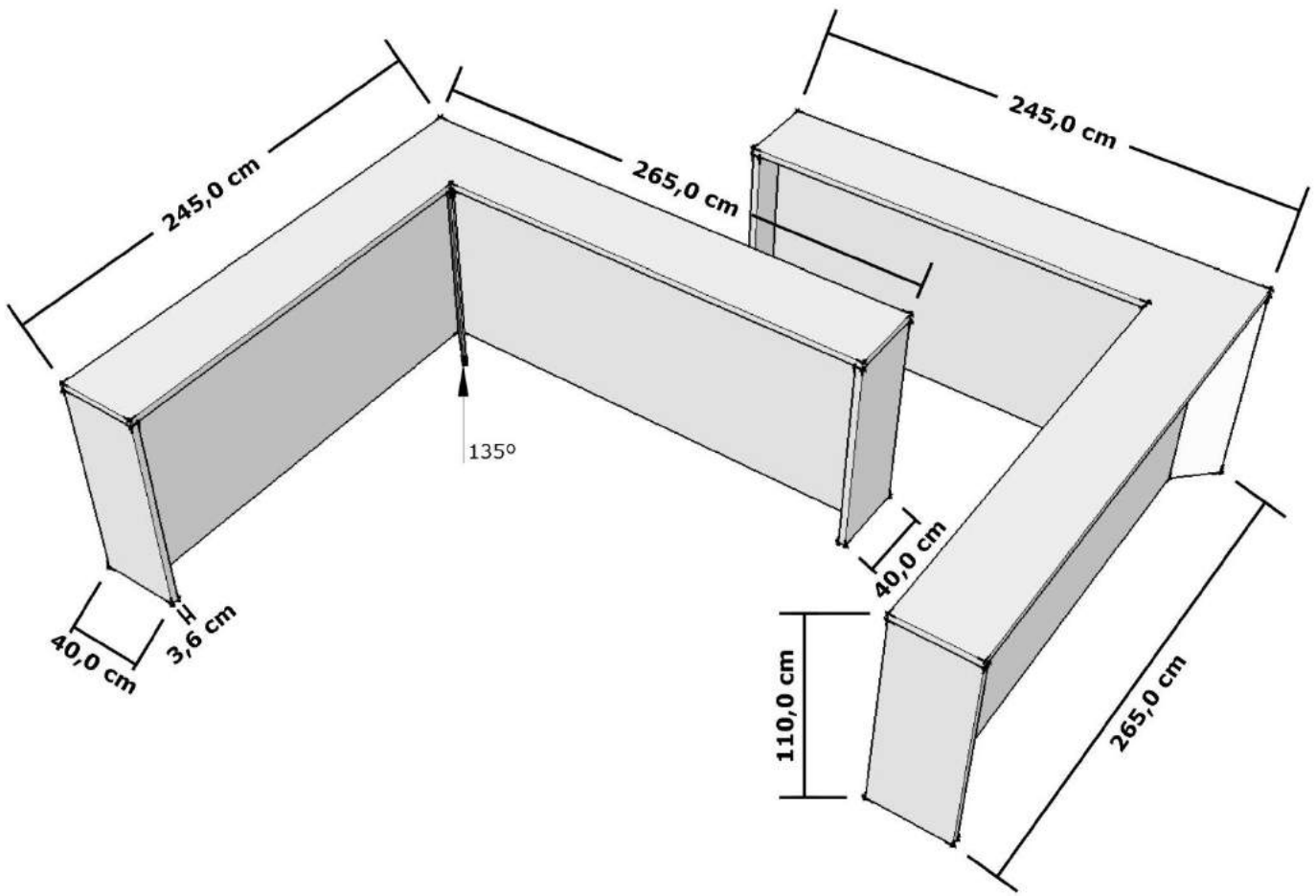
Escritorios y Mesas #09

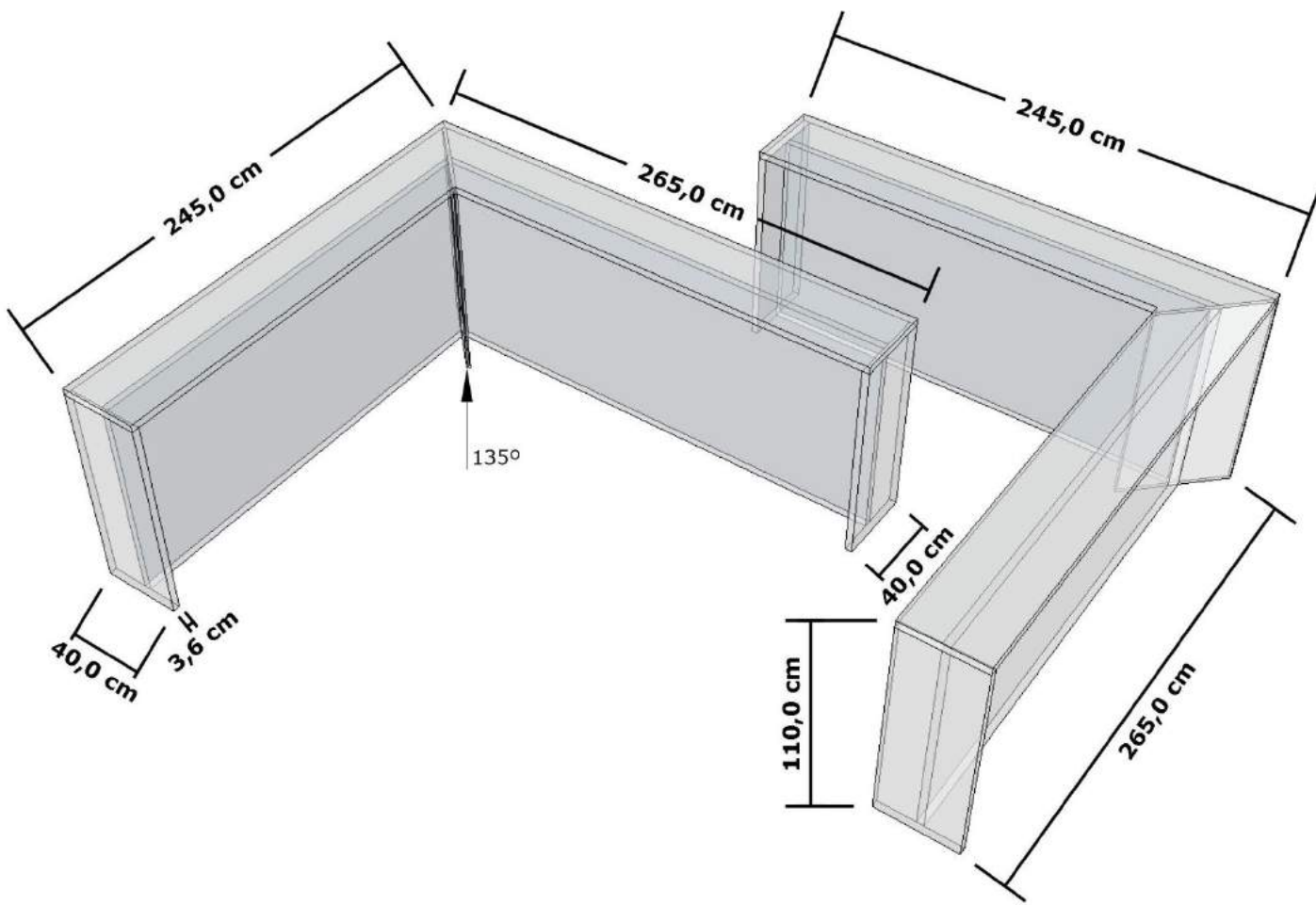




Num	Material	Referencia	Cantidad	Altura (cm)	Anchura (cm)	Espesor (cm)
1	MELA_BL, 1.8	Techo	1	110.0	54.7	1.8
2	MELA_BL, 1.8	Lateral Derecho	1	78.2	54.7	1.8
3	MELA_BL, 1.8	Lateral Izquierdo	1	78.2	54.7	1.8
4	MELA_BL, 1.8	Estante Fijo [1]	1	40.0	54.7	1.8
5	MELA_BL, 1.8	Estante Fijo [2]	1	40.0	52.9	1.8
6	MELA_BL, 1.8	División Libre 1 [1]	1	71.4	40.0	1.8
7	MELA_BL, 1.8	División Libre 1 [2]	1	64.6	48.2	1.8
8	MELA_BL, 1.8	División Vertical [1]	1	78.2	54.7	1.8
9	MELA_BL, 1.8	Cajón 1 [1]_1	1	15.4	43.0	1.8
10	MELA_BL, 1.8	Cajón 1 [1]_2	1	15.4	43.0	1.8
11	MELA_BL, 1.8	Cajón 1 [1]_3	1	15.4	43.0	1.8
12	MELA_BL, 1.8	Cajón 1 [2]	1	27.3	43.0	1.8
13	MELA_BL, 1.8	Lateral Der Cajón 1 [1]_1	1	51.0	13.1	1.8
14	MELA_BL, 1.8	Lateral Der Cajón 1 [1]_2	1	51.0	14.6	1.8
15	MELA_BL, 1.8	Lateral Der Cajón 1 [1]_3	1	51.0	13.9	1.8
16	MELA_BL, 1.8	Lateral Der Cajón 1 [2]	1	51.0	24.2	1.8
17	MELA_BL, 1.8	Lateral Izq Cajón 1 [1]_1	1	51.0	13.1	1.8
18	MELA_BL, 1.8	Lateral Izq Cajón 1 [1]_2	1	51.0	14.6	1.8
19	MELA_BL, 1.8	Lateral Izq Cajón 1 [1]_3	1	51.0	13.9	1.8
20	MELA_BL, 1.8	Lateral Izq Cajón 1 [2]	1	51.0	24.2	1.8
21	MELA_BL, 1.8	Fondo Cajón 1 [1]_1	1	49.2	35.8	1.8
22	MELA_BL, 1.8	Fondo Cajón 1 [1]_2	1	49.2	35.8	1.8
23	MELA_BL, 1.8	Fondo Cajón 1 [1]_3	1	49.2	35.8	1.8
24	MELA_BL, 1.8	Fondo Cajón 1 [2]	1	49.2	35.8	1.8
25	MELA_BL, 1.8	Trasera Cajón 1 [1]_1	1	35.8	13.1	1.8
26	MELA_BL, 1.8	Trasera Cajón 1 [1]_2	1	35.8	14.6	1.8
27	MELA_BL, 1.8	Trasera Cajón 1 [1]_3	1	35.8	13.9	1.8
28	MELA_BL, 1.8	Trasera Cajón 1 [2]	1	35.8	24.2	1.8
29	MELA_BL, 1.8	Contra-Frente Cajón 1 [1]_1	1	39.4	13.1	1.8
30	MELA_BL, 1.8	Contra-Frente Cajón 1 [1]_2	1	39.4	14.6	1.8
31	MELA_BL, 1.8	Contra-Frente Cajón 1 [1]_3	1	39.4	13.9	1.8
32	MELA_BL, 1.8	Contra-Frente Cajón 1 [2]	1	39.4	24.2	1.8

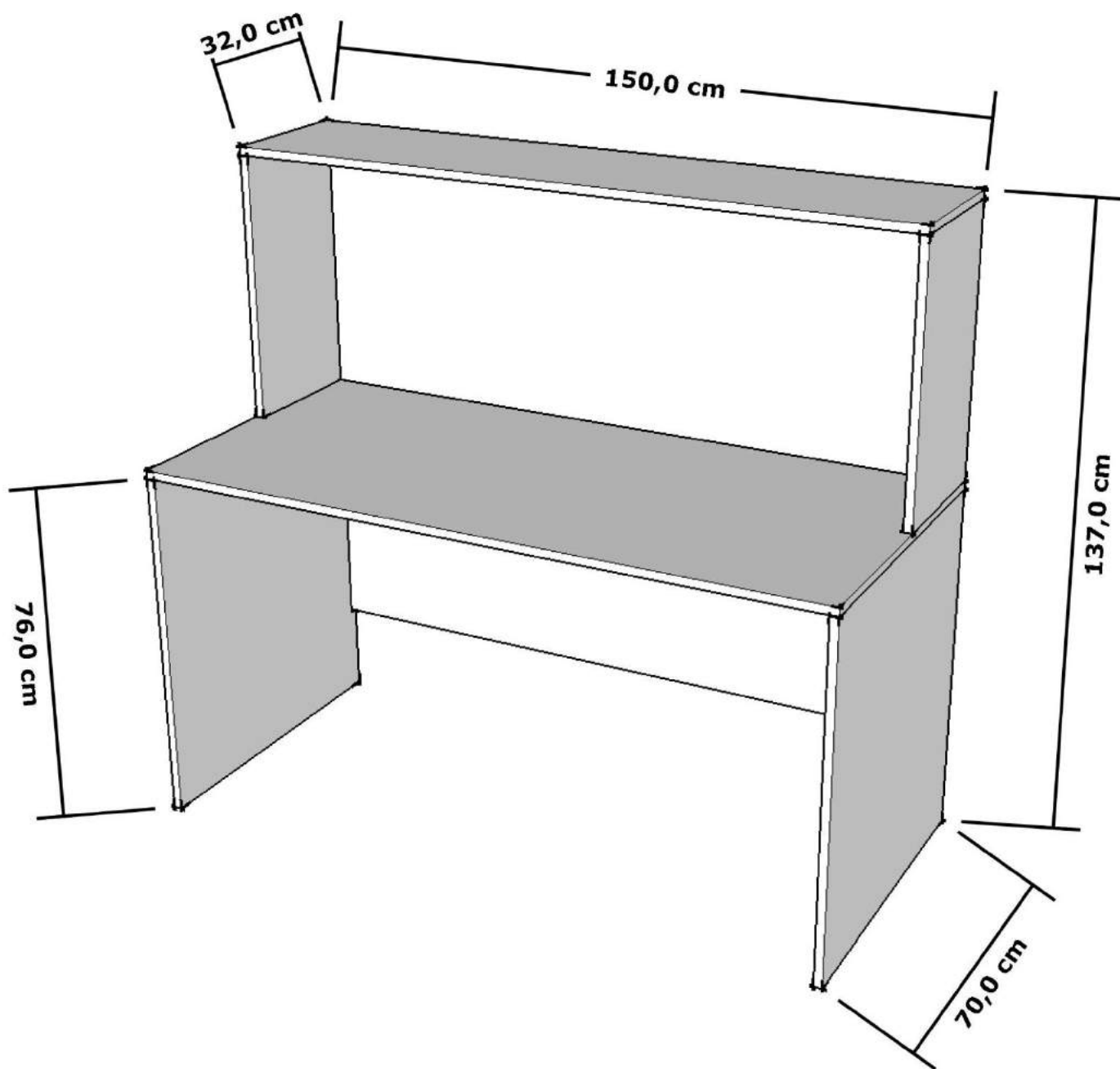
Escritorios y Mesas #10

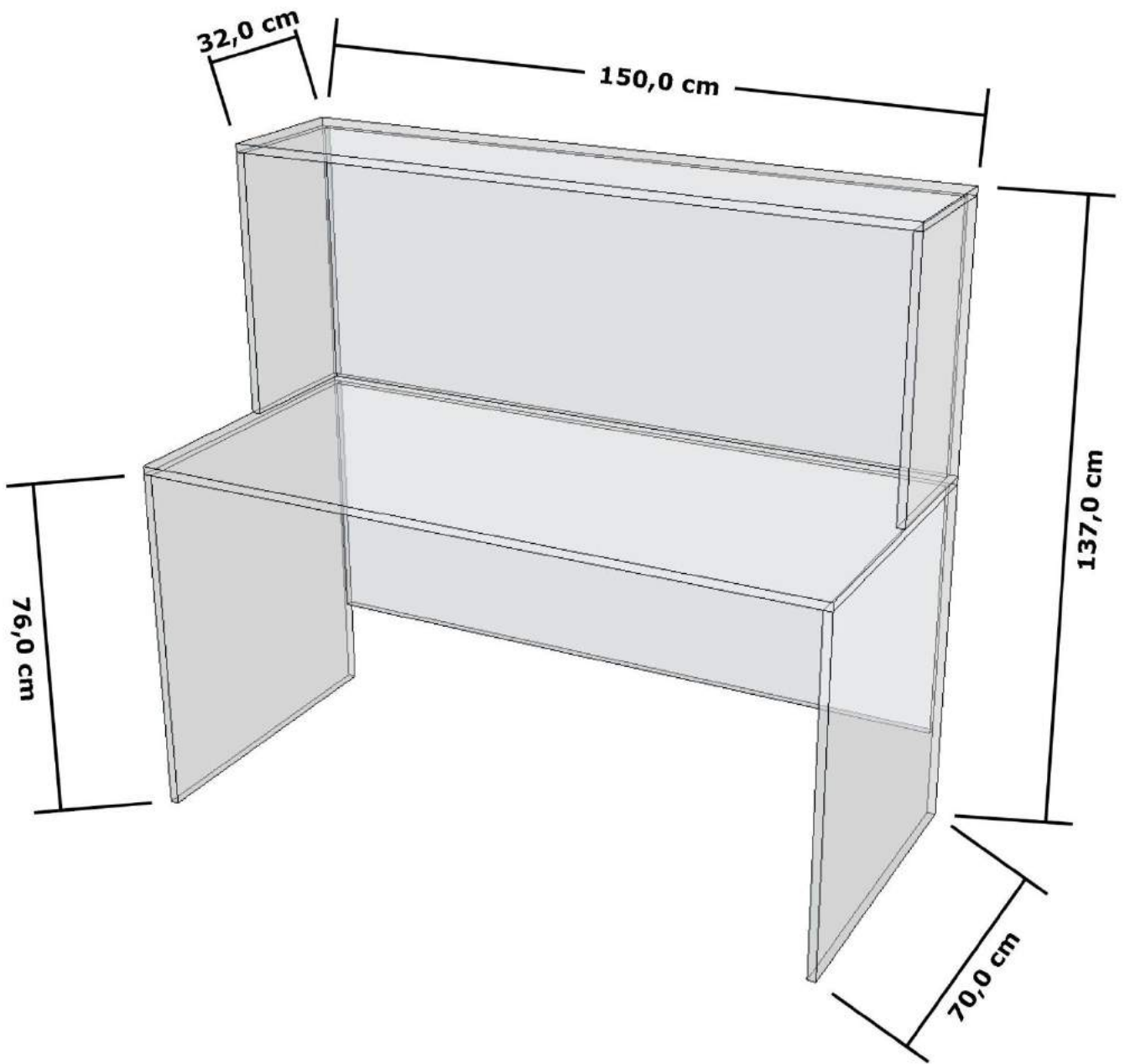




Num	Material	Referencia	Cantidad	Altura (cm)	Anchura (cm)	Espesor (cm)
1	MELA_BL 36MM, 3.6	Techo	1	245.0	265.0	3.6
2	MELA_BL 36MM, 3.6	Lateral Derecho	1	106.4	40.0	3.6
3	MELA_BL 36MM, 3.6	Lateral Izquierdo	1	106.4	40.0	3.6
4	MELA_BL, 1.8	División Libre 1 [1]	1	106.4	57.5	1.8
5	MELA_BL 36MM, 3.6	División Libre 1 [2]	1	221.9	106.4	3.6
6	MELA_BL 36MM, 3.6	División Libre 1 [3]	1	241.9	106.4	3.6

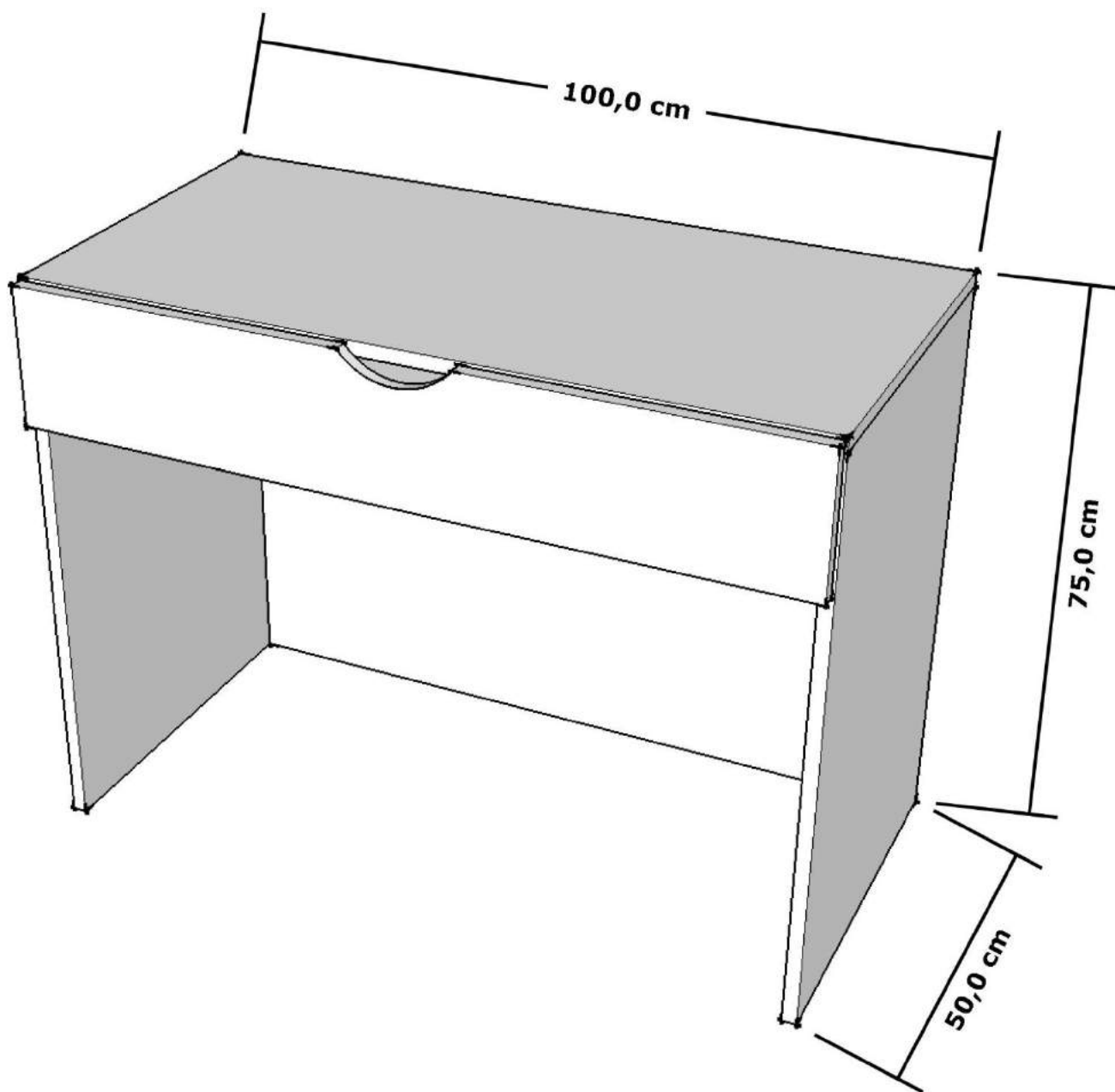
Escritorios y Mesas #11

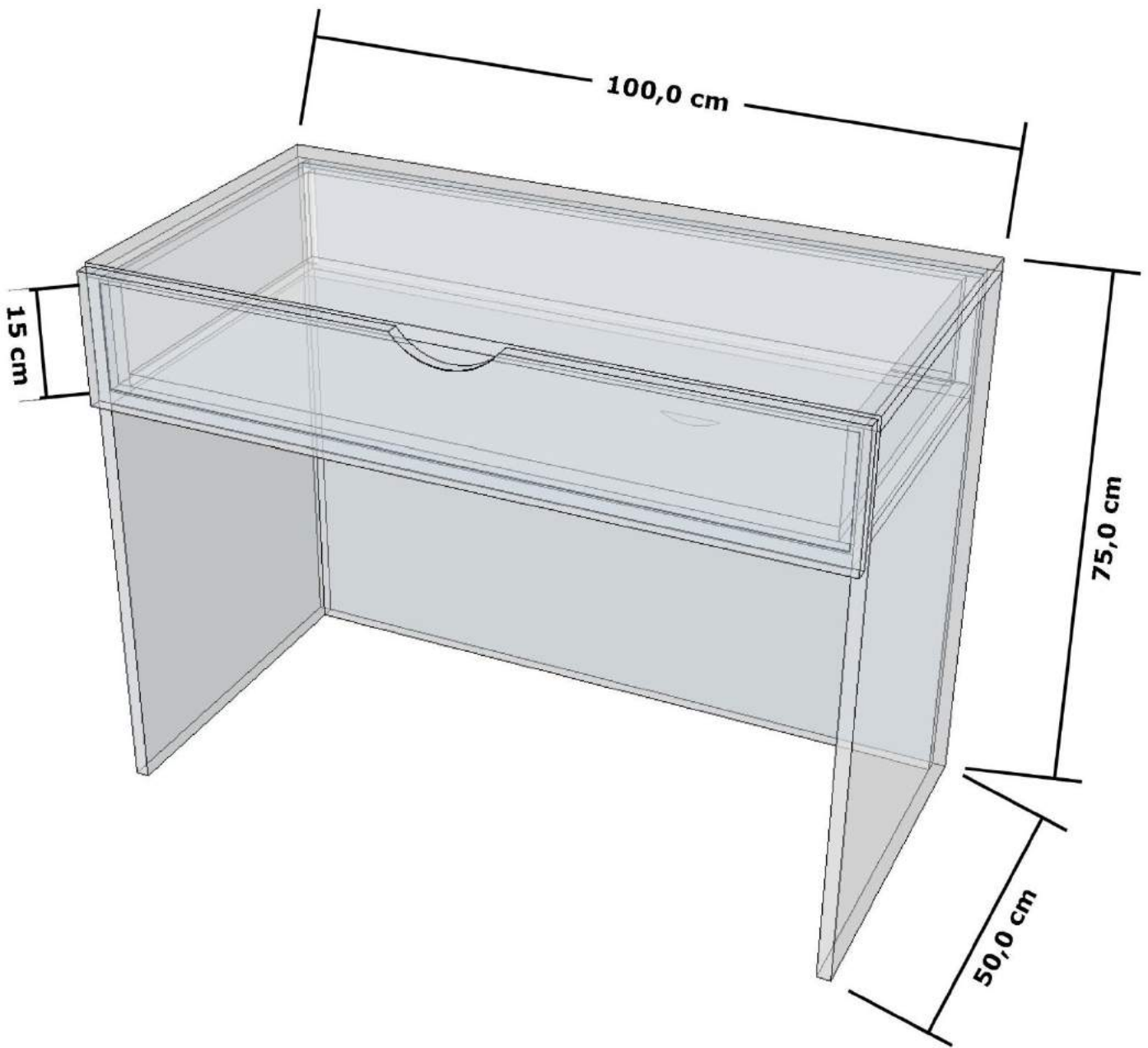




Num	Material	Referencia	Cantidad	Altura (cm)	Anchura (cm)	Espesor (cm)
1	MELA_BL, 1.8	Estante Fijo [1]	1	150.0	70.0	1.8
2	MELA_BL, 1.8	Estante Fijo [2]	1	150.0	32.0	1.8
3	MELA_BL, 1.8	División Libre 1 [1]_1	1	146.4	57.4	1.8
4	MELA_BL, 1.8	División Libre 1 [1]_2	1	146.4	56.0	1.8
5	MELA_BL, 1.8	División Vertical [1]	1	76.0	70.0	1.8
6	MELA_BL, 1.8	División Vertical [2]	1	76.0	70.0	1.8
7	MELA_BL, 1.8	División Vertical [3]	1	57.4	32.0	1.8
8	MELA_BL, 1.8	División Vertical [4]	1	57.4	32.0	1.8

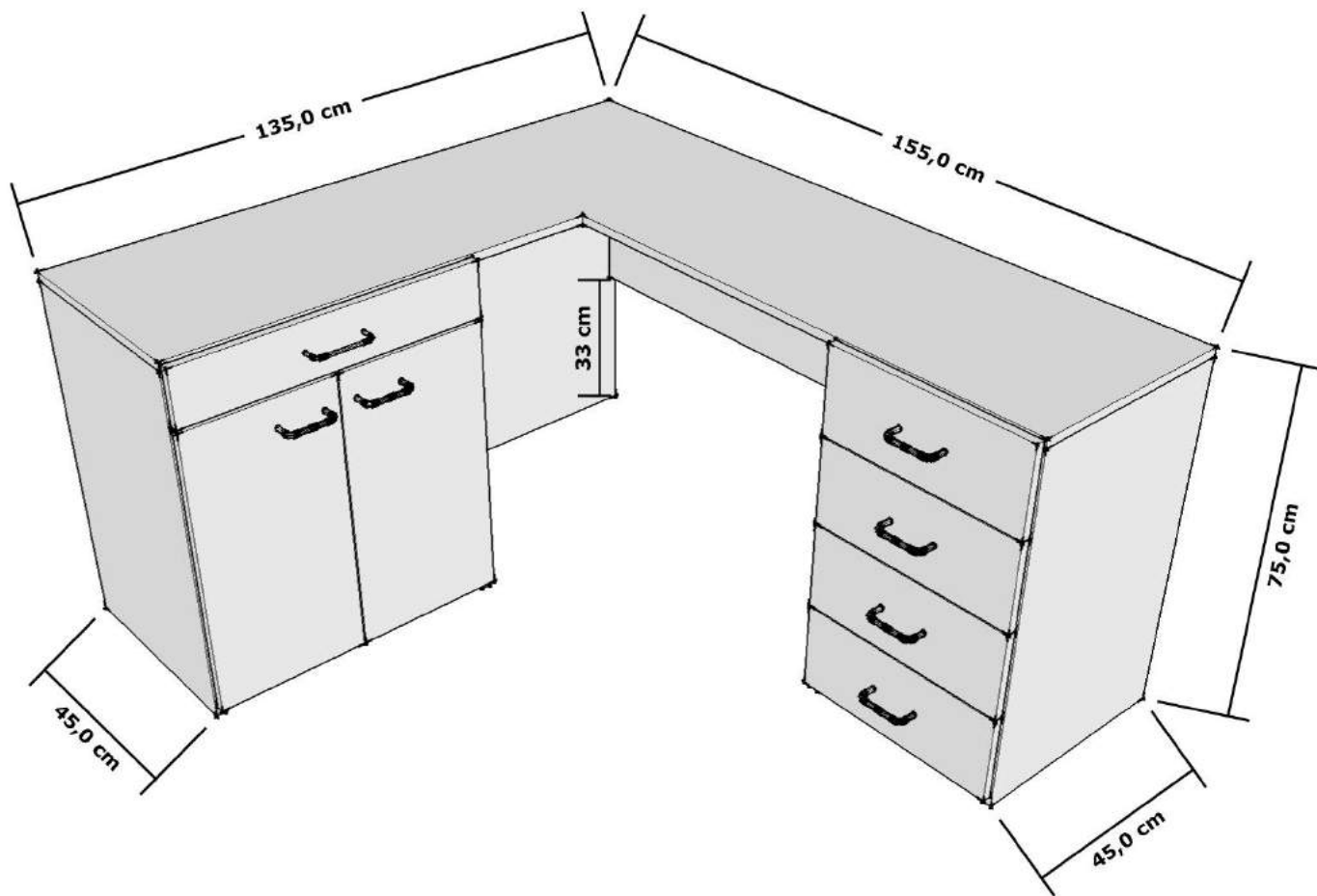
Escritorios y Mesas #12

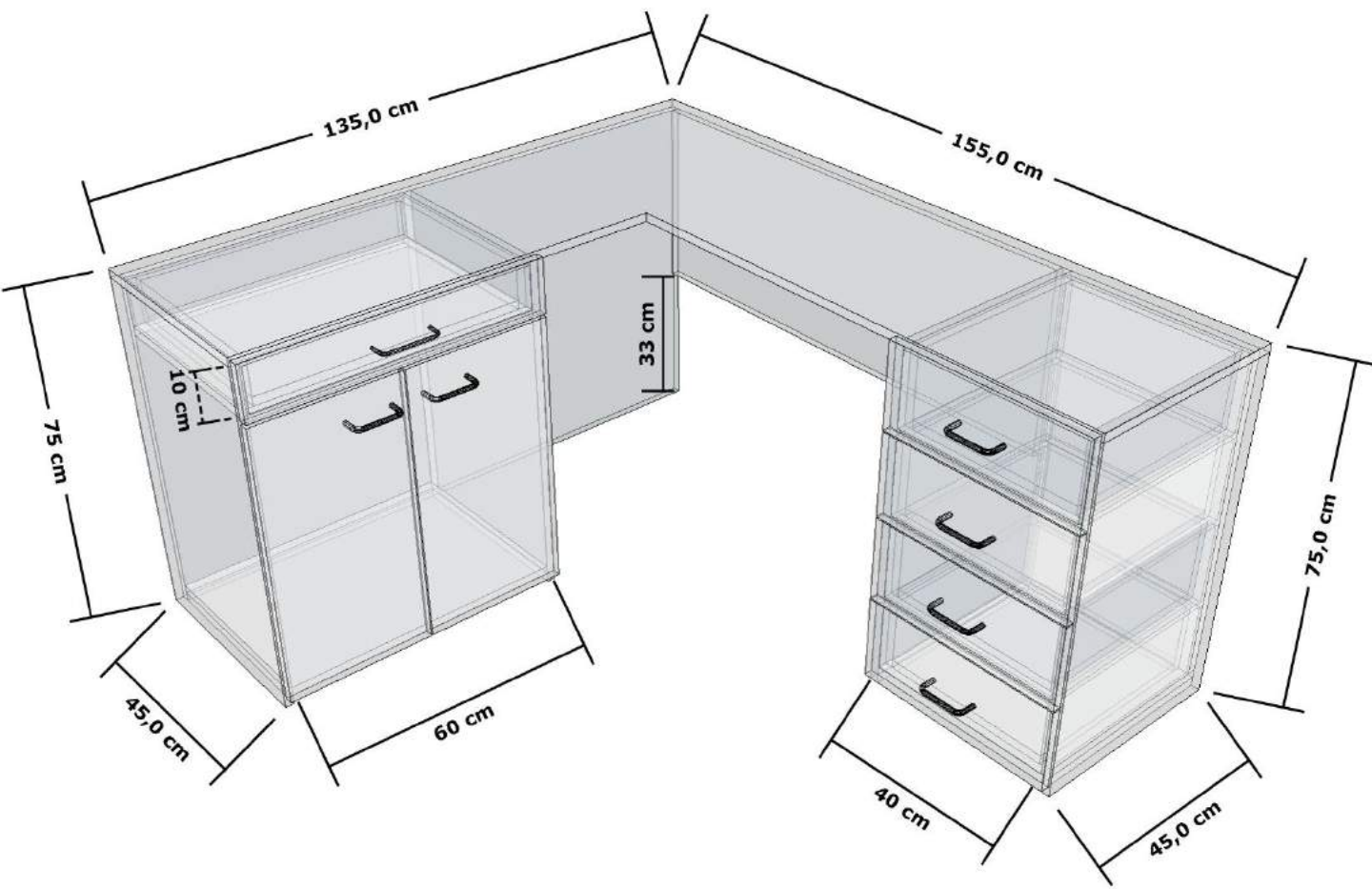




Num	Material	Referencia	Cantidad	Altura (cm)	Anchura (cm)	Espesor (cm)
1	MELA_BL, 1.8	Techo	1	100.0	50.0	1.8
2	MELA_BL, 1.8	Lateral Derecho	1	73.2	50.0	1.8
3	MELA_BL, 1.8	Lateral Izquierdo	1	73.2	50.0	1.8
4	MELA_BL, 1.8	Estante Fijo [1]	1	96.4	48.2	1.8
5	MELA_BL, 1.8	División Libre 1 [1]	1	96.4	73.2	1.8
6	MELA_BL, 1.8	Cajón 1 [1]	1	18.0	99.4	1.8
7	MELA_BL, 1.8	Lateral Der Cajón 1 [1]	1	46.3	14.2	1.8
8	MELA_BL, 1.8	Lateral Izq Cajón 1 [1]	1	46.3	14.2	1.8
9	MELA_BL, 1.8	Fondo Cajón 1 [1]	1	92.2	44.5	1.8
10	MELA_BL, 1.8	Trasera Cajón 1 [1]	1	92.2	14.2	1.8
11	MELA_BL, 1.8	Contra-Frente Cajón 1 [1]	1	95.8	14.2	1.8

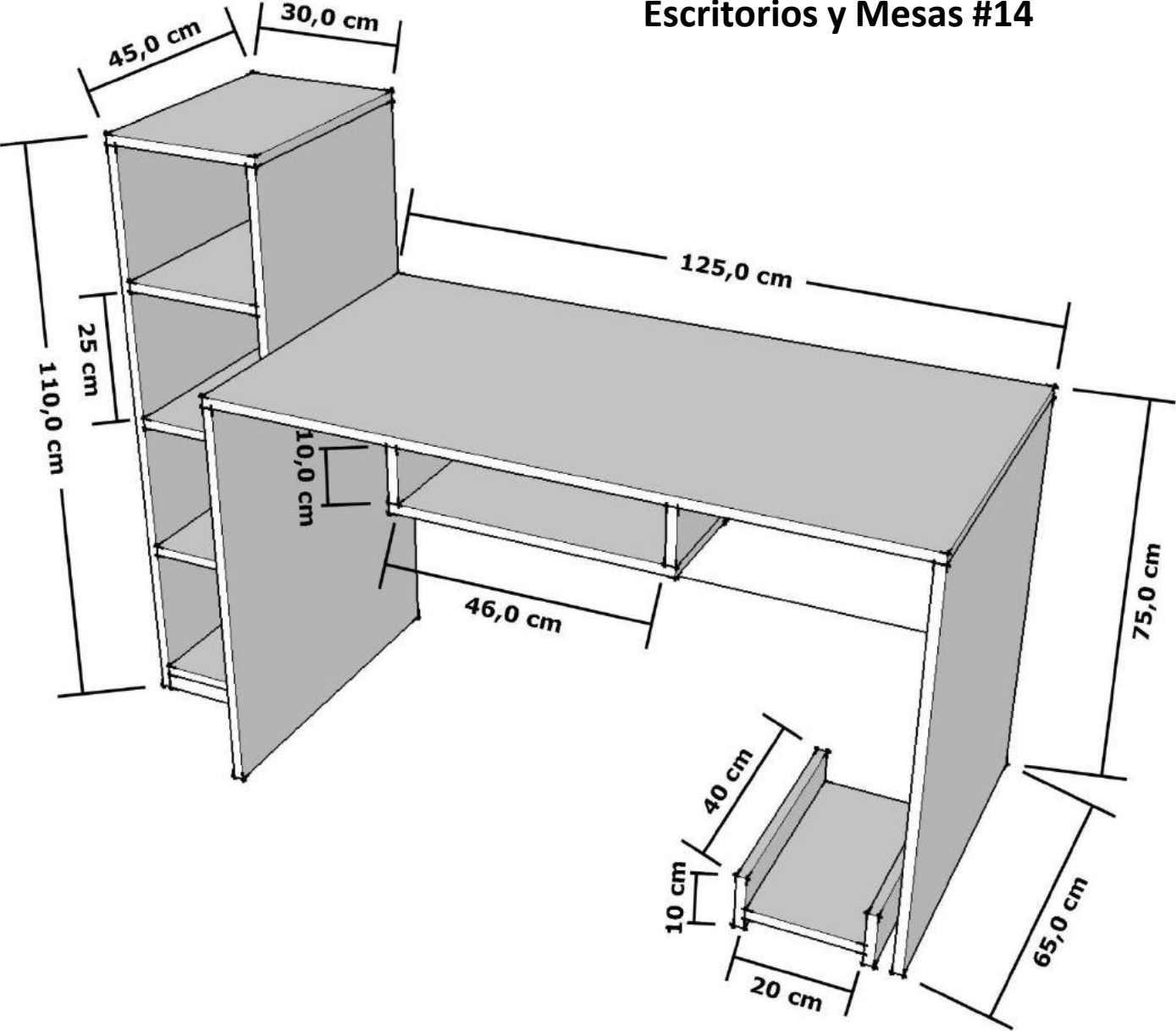
Escritorios y Mesas #13

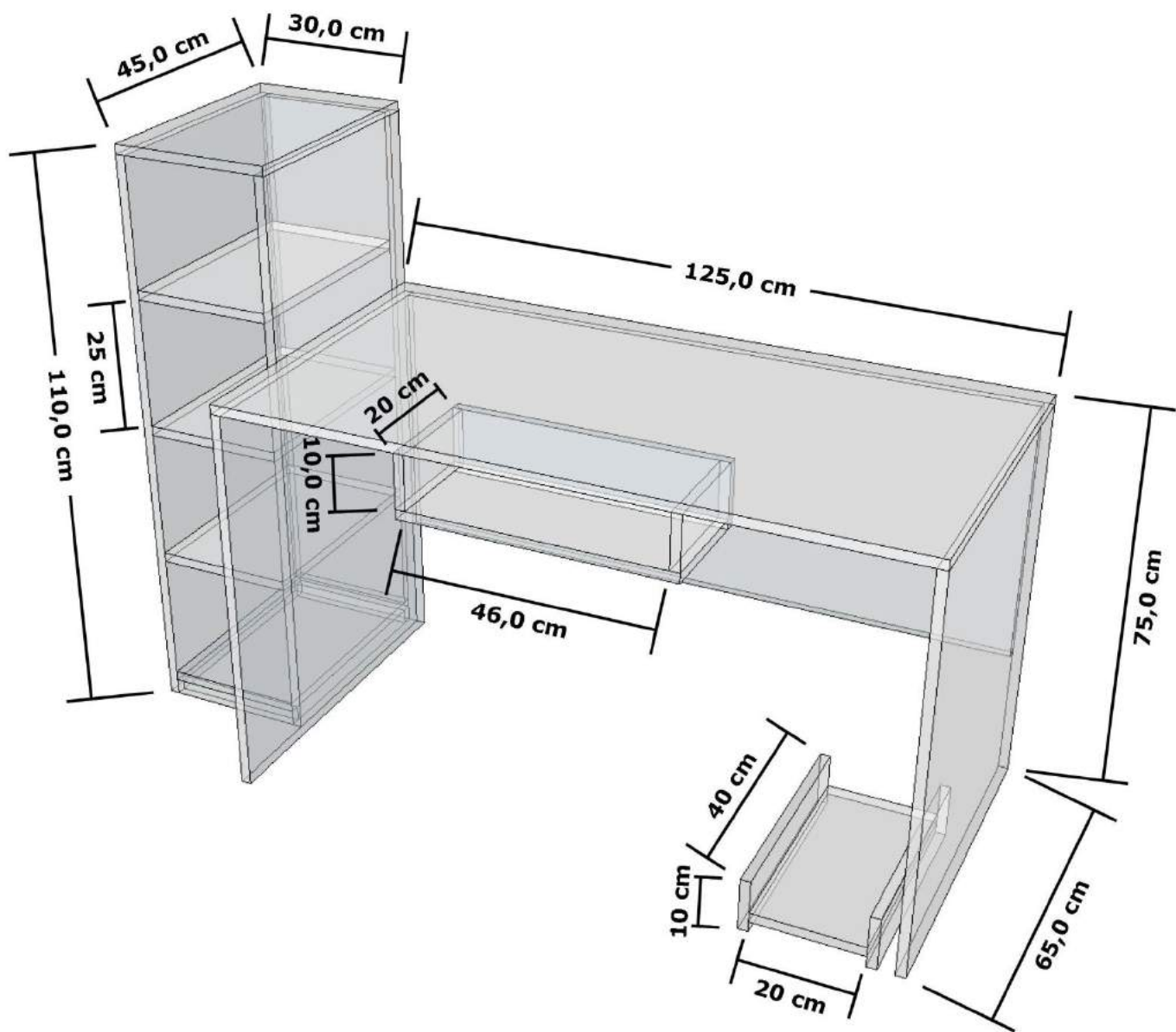




Num	Material	Referencia	Cantidad	Altura (cm)	Anchura (cm)	Espesor (cm)
1	MELA_BL, 1.8	Techo	1	135.0	155.0	1.8
2	MELA_BL, 1.8	Lateral Derecho	1	73.2	42.9	1.8
3	MELA_BL, 1.8	Lateral Izquierdo	1	73.2	42.9	1.8
4	MELA_BL, 1.8	Trasera Izquierda	1	73.2	133.2	1.8
5	MELA_BL, 1.8	Estante Fijo [1]	1	60.0	41.1	1.8
6	MELA_BL, 1.8	Estante Fijo [2]	1	42.9	40.0	1.8
7	MELA_BL, 1.8	División Libre 1 [1]	1	60.0	41.1	1.8
8	MELA_BL, 1.8	División Libre 1 [2]	1	69.4	40.0	1.8
9	MELA_BL, 1.8	División Libre 1 [3]	1	109.6	40.4	1.8
10	MELA_BL, 1.8	División Vertical [1]	1	73.2	41.1	1.8
11	MELA_BL, 1.8	División Vertical [2]	1	73.2	42.9	1.8
12	MELA_BL, 1.8	Puerta 1 (doble) [1]_1	1	59.9	31.4	1.8
13	MELA_BL, 1.8	Puerta 1 (doble) [1]_2	1	59.9	31.4	1.8
14	MELA_BL, 1.8	Cajón 1 [1]	1	11.7	63.0	1.8
15	MELA_BL, 1.8	Cajón 1 [2]_1	1	17.9	43.0	1.8
16	MELA_BL, 1.8	Cajón 1 [2]_2	1	17.9	43.0	1.8
17	MELA_BL, 1.8	Cajón 1 [2]_3	1	17.9	43.0	1.8
18	MELA_BL, 1.8	Cajón 1 [2]_4	1	17.9	43.0	1.8
19	MELA_BL, 1.8	Lateral Der Cajón 1 [1]	1	39.2	9.2	1.8
20	MELA_BL, 1.8	Lateral Der Cajón 1 [2]_1	1	39.2	15.6	1.8
21	MELA_BL, 1.8	Lateral Der Cajón 1 [2]_2	1	39.2	17.1	1.8
22	MELA_BL, 1.8	Lateral Der Cajón 1 [2]_3	1	39.2	17.1	1.8
23	MELA_BL, 1.8	Lateral Der Cajón 1 [2]_4	1	39.2	15.6	1.8
24	MELA_BL, 1.8	Lateral Izq Cajón 1 [1]	1	39.2	9.2	1.8
25	MELA_BL, 1.8	Lateral Izq Cajón 1 [2]_1	1	39.2	15.6	1.8
26	MELA_BL, 1.8	Lateral Izq Cajón 1 [2]_2	1	39.2	17.1	1.8
27	MELA_BL, 1.8	Lateral Izq Cajón 1 [2]_3	1	39.2	17.1	1.8
28	MELA_BL, 1.8	Lateral Izq Cajón 1 [2]_4	1	39.2	15.6	1.8
29	MELA_BL, 1.8	Fondo Cajón 1 [1]	1	55.8	37.4	1.8
30	MELA_BL, 1.8	Fondo Cajón 1 [2]_1	1	37.4	35.8	1.8
31	MELA_BL, 1.8	Fondo Cajón 1 [2]_2	1	37.4	35.8	1.8
32	MELA_BL, 1.8	Fondo Cajón 1 [2]_3	1	37.4	35.8	1.8
33	MELA_BL, 1.8	Fondo Cajón 1 [2]_4	1	37.4	35.8	1.8
34	MELA_BL, 1.8	Trasera Cajón 1 [1]	1	55.8	9.2	1.8
35	MELA_BL, 1.8	Trasera Cajón 1 [2]_1	1	35.8	15.6	1.8
36	MELA_BL, 1.8	Trasera Cajón 1 [2]_2	1	35.8	17.1	1.8
37	MELA_BL, 1.8	Trasera Cajón 1 [2]_3	1	35.8	17.1	1.8
38	MELA_BL, 1.8	Trasera Cajón 1 [2]_4	1	35.8	15.6	1.8
39	MELA_BL, 1.8	Contra-Frente Cajón 1 [1]	1	59.4	9.2	1.8
40	MELA_BL, 1.8	Contra-Frente Cajón 1 [2]_1	1	39.4	15.6	1.8
41	MELA_BL, 1.8	Contra-Frente Cajón 1 [2]_2	1	39.4	17.1	1.8
42	MELA_BL, 1.8	Contra-Frente Cajón 1 [2]_3	1	39.4	17.1	1.8
43	MELA_BL, 1.8	Contra-Frente Cajón 1 [2]_4	1	39.4	15.6	1.8

Escritorios y Mesas #14

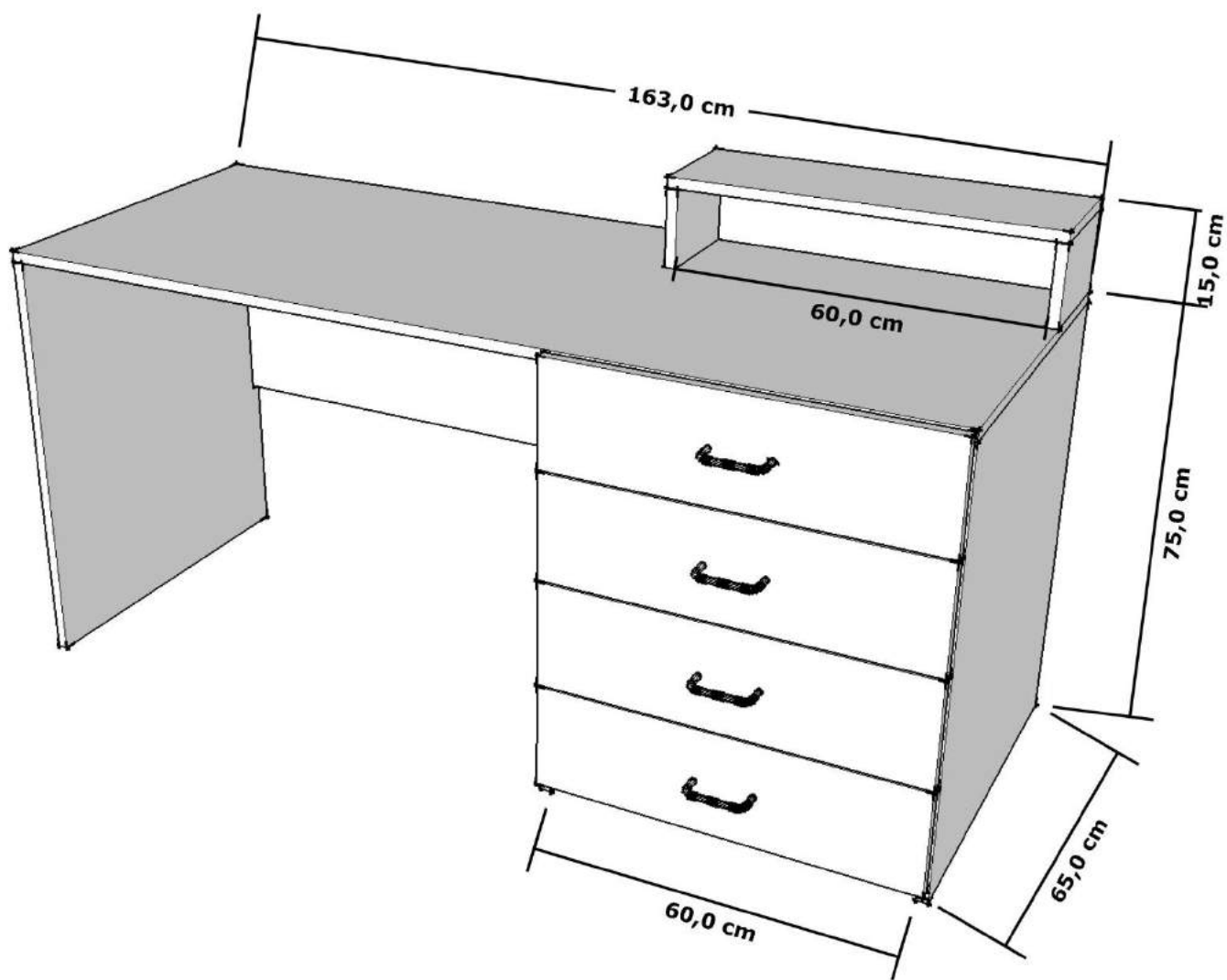


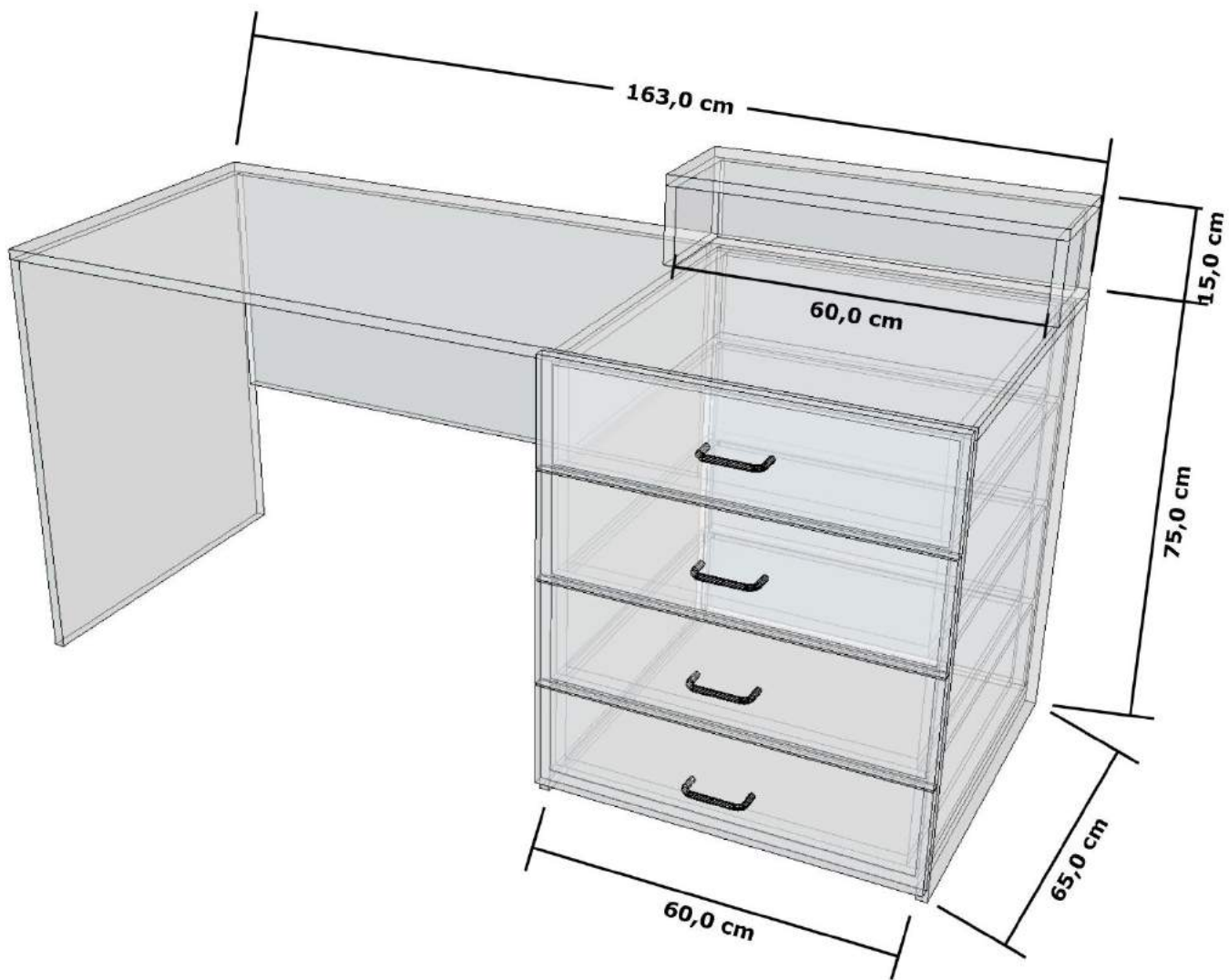


Num	Material	Referencia	Cantidad	Altura (cm)	Anchura (cm)	Espesor (cm)
1	MELA_BL, 1.8	Techo	1	30.0	45.0	1.8
2	MELA_BL, 1.8	Suelo	1	26.4	45.0	1.8
3	MELA_BL, 1.8	Lateral Derecho	1	108.2	45.0	1.8
4	MELA_BL, 1.8	Lateral Izquierdo	1	108.2	45.0	1.8
5	MELA_BL, 1.8	Trasera	1	103.4	26.4	1.8
6	MELA_BL, 1.8	Estante Fijo [1]	1	26.4	43.2	1.8
7	MELA_BL, 1.8	Estante Fijo [2]	1	26.4	43.2	1.8
8	MELA_BL, 1.8	Estante Fijo [3]	1	26.4	43.2	1.8
9	MELA_BL, 1.8	Zócalo 1 [1]	1	26.4	3.0	1.8
10	MELA_BL, 1.8	Zócalo 1 [2]	1	26.4	3.0	1.8

Num	Material	Referencia	Cantidad	Altura (cm)	Anchura (cm)	Espesor (cm)
1	MELA_BL, 1.8	Techo	1	125.0	65.0	1.8
2	MELA_BL, 1.8	Lateral Derecho	1	73.2	65.0	1.8
3	MELA_BL, 1.8	Lateral Izquierdo	1	73.2	65.0	1.8
4	MELA_BL, 1.8	Trasera	1	48.7	121.4	1.8
5	MELA_BL, 1.8	Estante Fijo [1]	1	49.6	20.0	1.8
6	MELA_BL, 1.8	Estante Fijo [2]	1	20.0	40.0	1.8
7	MELA_BL, 1.8	División Libre 1 [1]	1	49.6	11.8	1.8
8	MELA_BL, 1.8	División Vertical [1]	1	10.0	20.0	1.8
9	MELA_BL, 1.8	División Vertical [2]	1	10.0	20.0	1.8
10	MELA_BL, 1.8	División Vertical [3]	1	10.0	40.0	1.8
11	MELA_BL, 1.8	División Vertical [4]	1	10.0	40.0	1.8

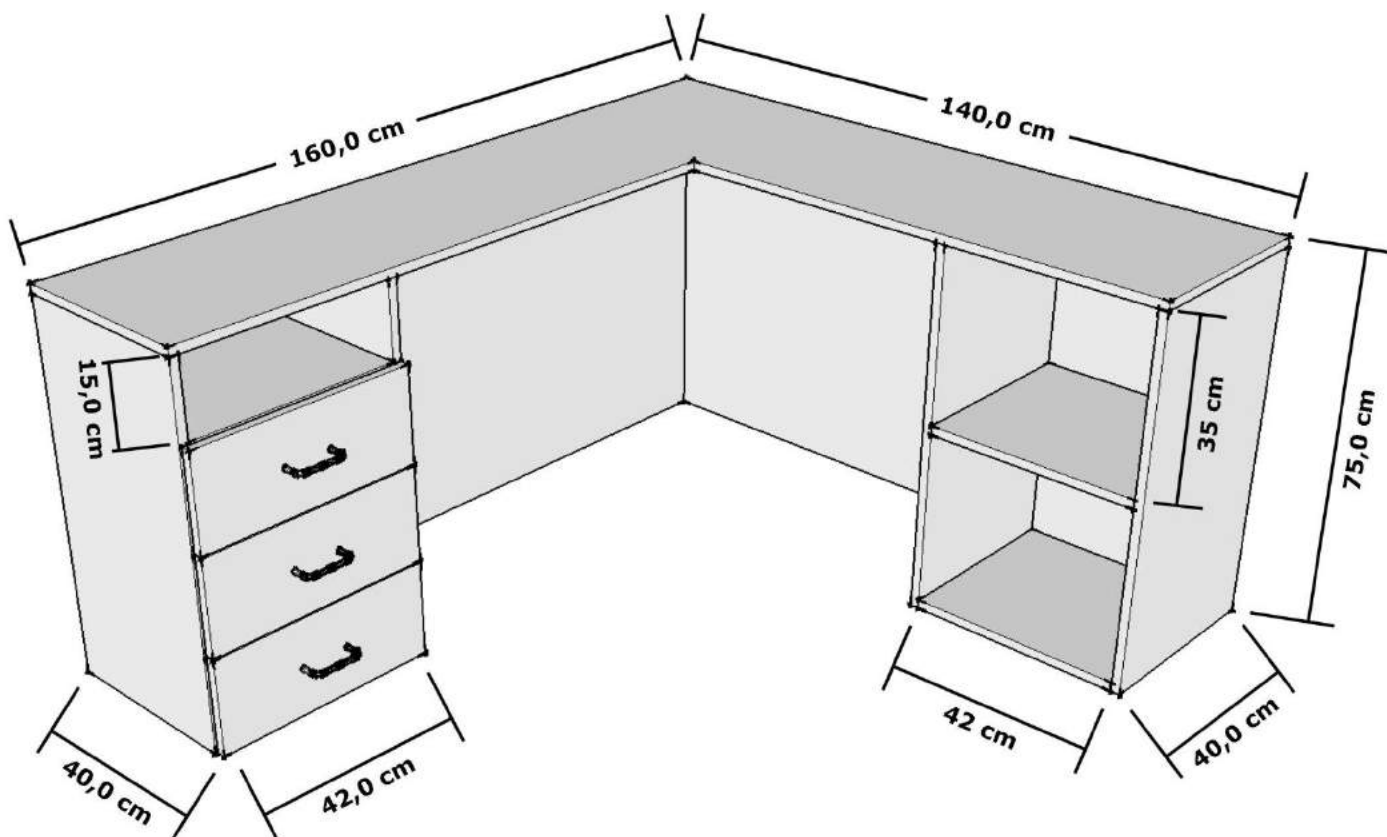
Escritorios y Mesas #15

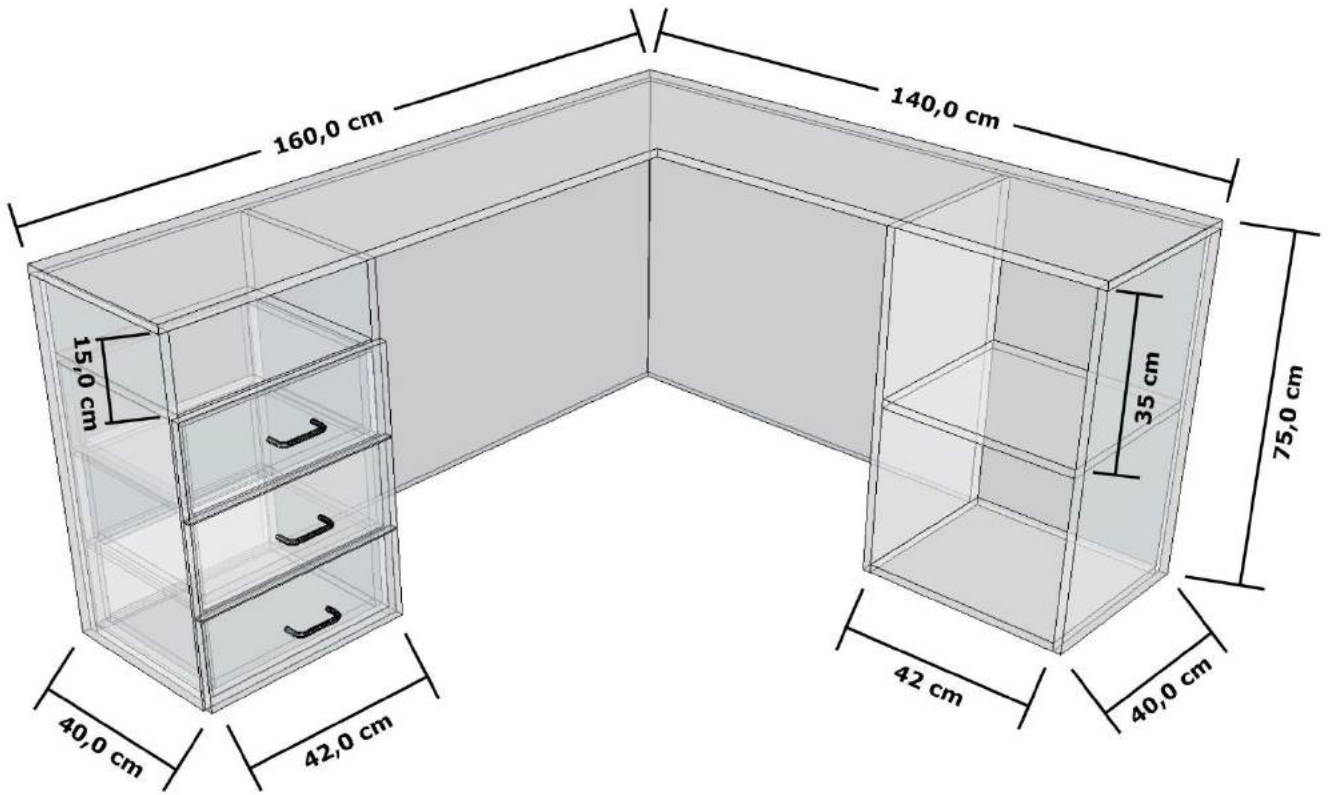




Num	Material	Referencia	Cantidad	Altura (cm)	Anchura (cm)	Espesor (cm)
1	MELA_BL, 1.8	Estante Fijo [1]	1	163.0	62.9	1.8
2	MELA_BL, 1.8	Estante Fijo [2]	1	60.0	62.9	1.8
3	MELA_BL, 1.8	Estante Fijo [3]	1	63.6	20.0	1.8
4	MELA_BL, 1.8	División Libre 1 [1]	1	69.4	60.0	1.8
5	MELA_BL, 1.8	División Libre 1 [2]	1	97.6	43.2	1.8
6	MELA_BL, 1.8	División Libre 1 [3]	1	60.0	13.2	1.8
7	MELA_BL, 1.8	División Vertical [1]	1	73.2	62.9	1.8
8	MELA_BL, 1.8	División Vertical [2]	1	73.2	62.9	1.8
9	MELA_BL, 1.8	División Vertical [3]	1	73.2	62.9	1.8
10	MELA_BL, 1.8	División Vertical [4]	1	13.2	20.0	1.8
11	MELA_BL, 1.8	División Vertical [5]	1	13.2	20.0	1.8
12	MELA_BL, 1.8	Cajón 1 [1]_1	1	17.9	63.0	1.8
13	MELA_BL, 1.8	Cajón 1 [1]_2	1	17.9	63.0	1.8
14	MELA_BL, 1.8	Cajón 1 [1]_3	1	17.9	63.0	1.8
15	MELA_BL, 1.8	Cajón 1 [1]_4	1	17.9	63.0	1.8
16	MELA_BL, 1.8	Lateral Der Cajón 1 [1]_1	1	59.2	15.6	1.8
17	MELA_BL, 1.8	Lateral Der Cajón 1 [1]_2	1	59.2	17.1	1.8
18	MELA_BL, 1.8	Lateral Der Cajón 1 [1]_3	1	59.2	17.1	1.8
19	MELA_BL, 1.8	Lateral Der Cajón 1 [1]_4	1	59.2	15.6	1.8
20	MELA_BL, 1.8	Lateral Izq Cajón 1 [1]_1	1	59.2	15.6	1.8
21	MELA_BL, 1.8	Lateral Izq Cajón 1 [1]_2	1	59.2	17.1	1.8
22	MELA_BL, 1.8	Lateral Izq Cajón 1 [1]_3	1	59.2	17.1	1.8
23	MELA_BL, 1.8	Lateral Izq Cajón 1 [1]_4	1	59.2	15.6	1.8
24	MELA_BL, 1.8	Fondo Cajón 1 [1]_1	1	57.4	55.8	1.8
25	MELA_BL, 1.8	Fondo Cajón 1 [1]_2	1	57.4	55.8	1.8
26	MELA_BL, 1.8	Fondo Cajón 1 [1]_3	1	57.4	55.8	1.8
27	MELA_BL, 1.8	Fondo Cajón 1 [1]_4	1	57.4	55.8	1.8
28	MELA_BL, 1.8	Trasera Cajón 1 [1]_1	1	55.8	15.6	1.8
29	MELA_BL, 1.8	Trasera Cajón 1 [1]_2	1	55.8	17.1	1.8
30	MELA_BL, 1.8	Trasera Cajón 1 [1]_3	1	55.8	17.1	1.8
31	MELA_BL, 1.8	Trasera Cajón 1 [1]_4	1	55.8	15.6	1.8
32	MELA_BL, 1.8	Contra-Frente Cajón 1 [1]_1	1	59.4	15.6	1.8
33	MELA_BL, 1.8	Contra-Frente Cajón 1 [1]_2	1	59.4	17.1	1.8
34	MELA_BL, 1.8	Contra-Frente Cajón 1 [1]_3	1	59.4	17.1	1.8
35	MELA_BL, 1.8	Contra-Frente Cajón 1 [1]_4	1	59.4	15.6	1.8

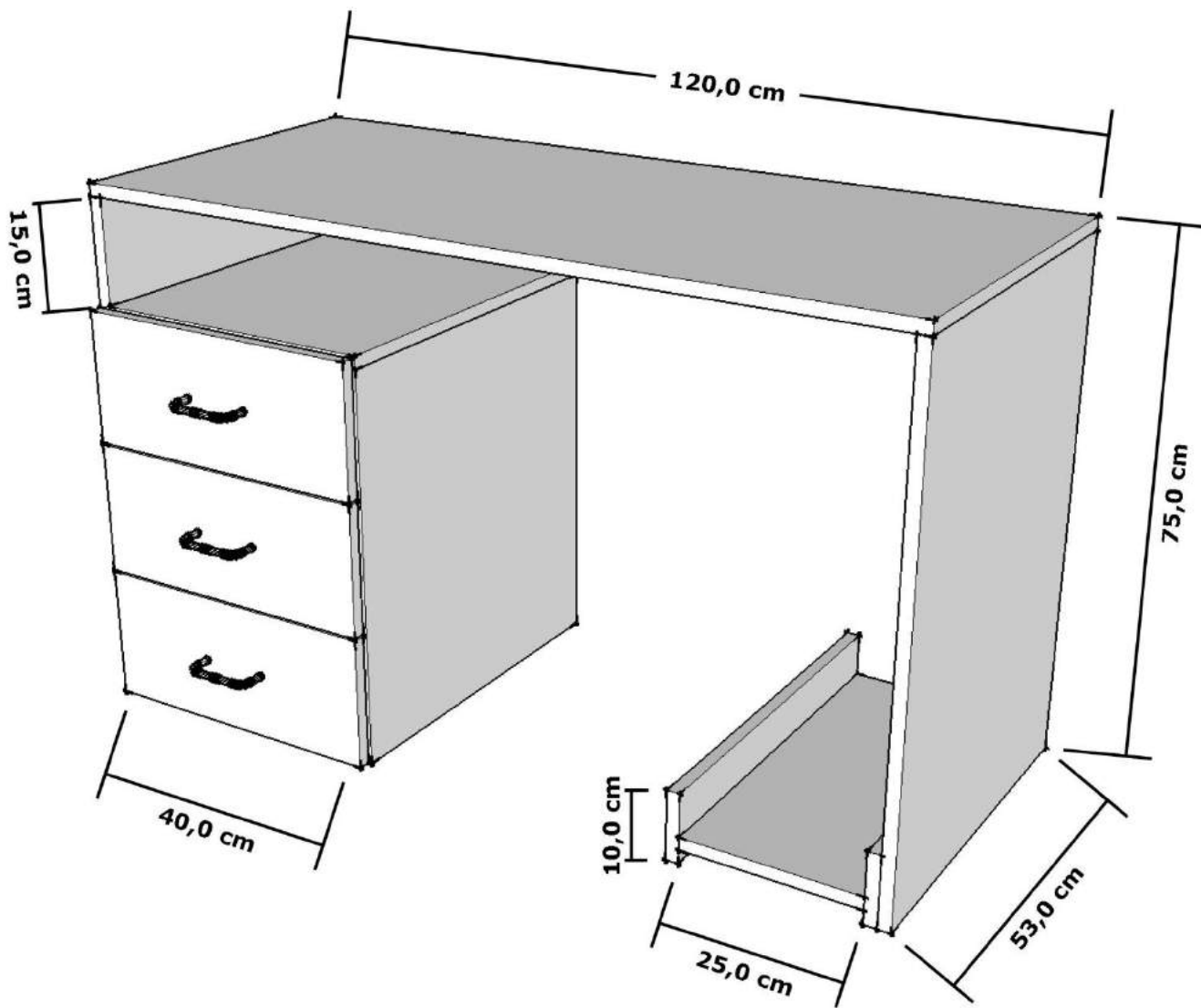
Escritorios y Mesas #16

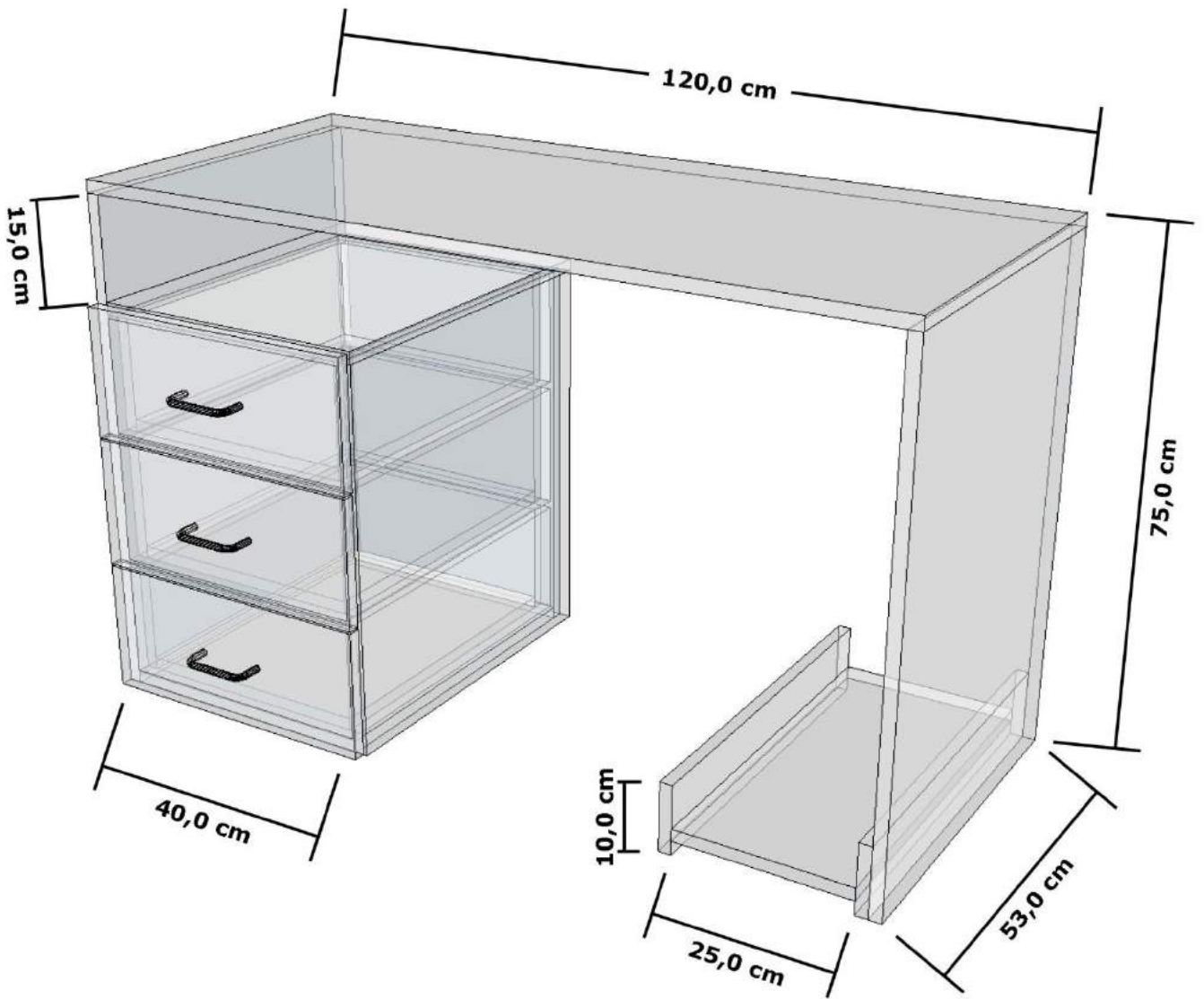




Num	Material	Referencia	Cantidad	Altura (cm)	Anchura (cm)	Espesor (cm)
1	MELA_BL, 1.8	Techo	1	160.0	140.0	1.8
2	MELA_BL, 1.8	Lateral Derecho	1	73.2	40.0	1.8
3	MELA_BL, 1.8	Lateral Izquierdo	1	73.2	37.9	1.8
4	MELA_BL, 1.8	Trasera Derecha	1	73.2	138.2	1.8
5	MELA_BL, 1.8	Trasera Izquierda	1	73.2	158.2	1.8
6	MELA_BL, 1.8	Estante Fijo [1]	1	42.0	36.1	1.8
7	MELA_BL, 1.8	Estante Fijo [2]	1	42.0	36.1	1.8
8	MELA_BL, 1.8	Estante Fijo [3]	1	38.2	42.0	1.8
9	MELA_BL, 1.8	Estante Fijo [4]	1	38.2	42.0	1.8
10	MELA_BL, 1.8	División Vertical [1]	1	73.2	36.1	1.8
11	MELA_BL, 1.8	División Vertical [2]	1	73.2	38.2	1.8
12	MELA_BL, 1.8	Cajón 1 [1]_1	1	19.0	45.0	1.8
13	MELA_BL, 1.8	Cajón 1 [1]_2	1	19.0	45.0	1.8
14	MELA_BL, 1.8	Cajón 1 [1]_3	1	19.0	45.0	1.8
15	MELA_BL, 1.8	Lateral Der Cajón 1 [1]_1	1	34.2	16.7	1.8
16	MELA_BL, 1.8	Lateral Der Cajón 1 [1]_2	1	34.2	18.2	1.8
17	MELA_BL, 1.8	Lateral Der Cajón 1 [1]_3	1	34.2	16.7	1.8
18	MELA_BL, 1.8	Lateral Izq Cajón 1 [1]_1	1	34.2	16.7	1.8
19	MELA_BL, 1.8	Lateral Izq Cajón 1 [1]_2	1	34.2	18.2	1.8
20	MELA_BL, 1.8	Lateral Izq Cajón 1 [1]_3	1	34.2	16.7	1.8
21	MELA_BL, 1.8	Fondo Cajón 1 [1]_1	1	37.8	32.4	1.8
22	MELA_BL, 1.8	Fondo Cajón 1 [1]_2	1	37.8	32.4	1.8
23	MELA_BL, 1.8	Fondo Cajón 1 [1]_3	1	37.8	32.4	1.8
24	MELA_BL, 1.8	Trasera Cajón 1 [1]_1	1	37.8	16.7	1.8
25	MELA_BL, 1.8	Trasera Cajón 1 [1]_2	1	37.8	18.2	1.8
26	MELA_BL, 1.8	Trasera Cajón 1 [1]_3	1	37.8	16.7	1.8
27	MELA_BL, 1.8	Contra-Frente Cajón 1 [1]_1	1	41.4	16.7	1.8
28	MELA_BL, 1.8	Contra-Frente Cajón 1 [1]_2	1	41.4	18.2	1.8
29	MELA_BL, 1.8	Contra-Frente Cajón 1 [1]_3	1	41.4	16.7	1.8

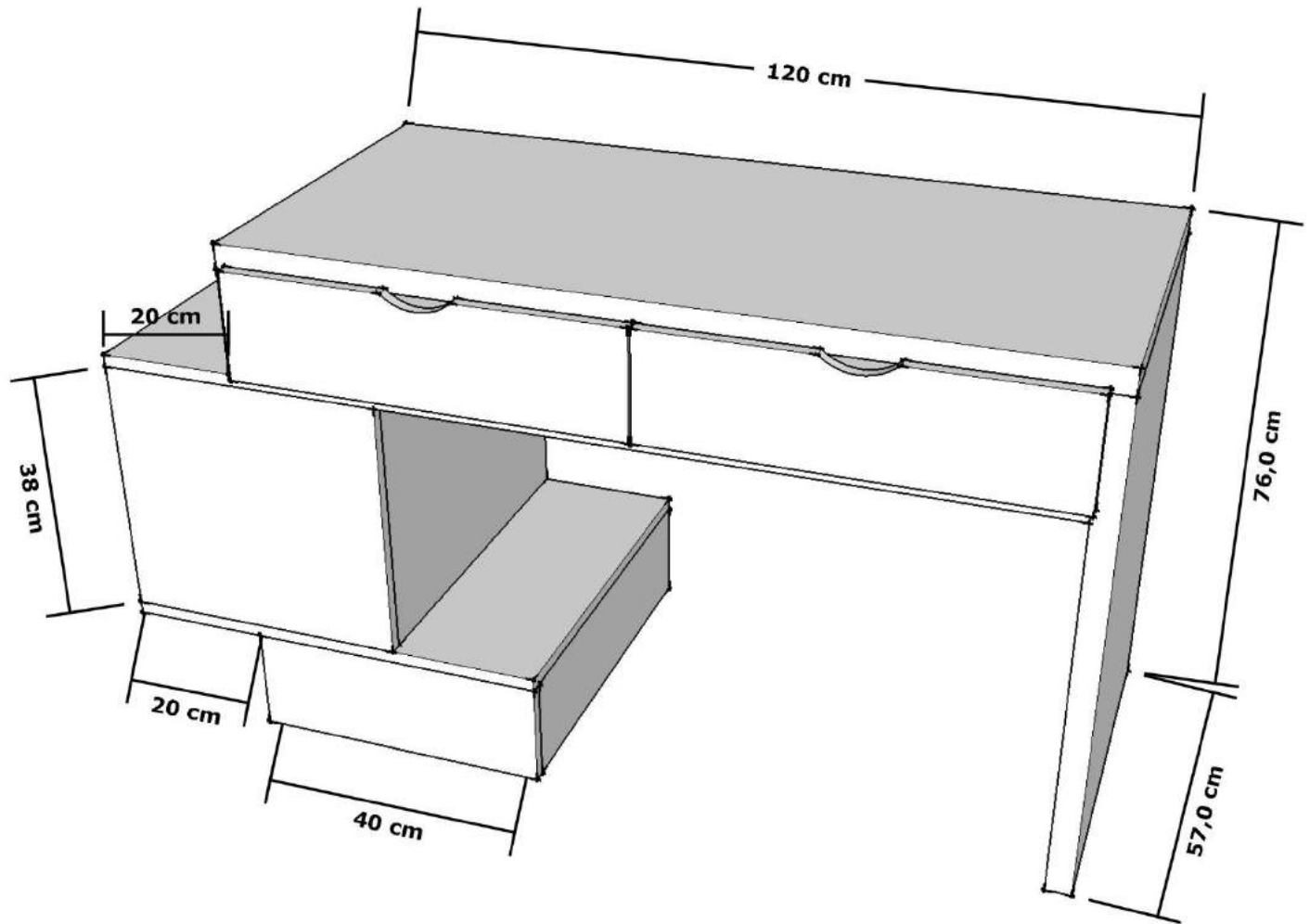
Escritorios y Mesas #17

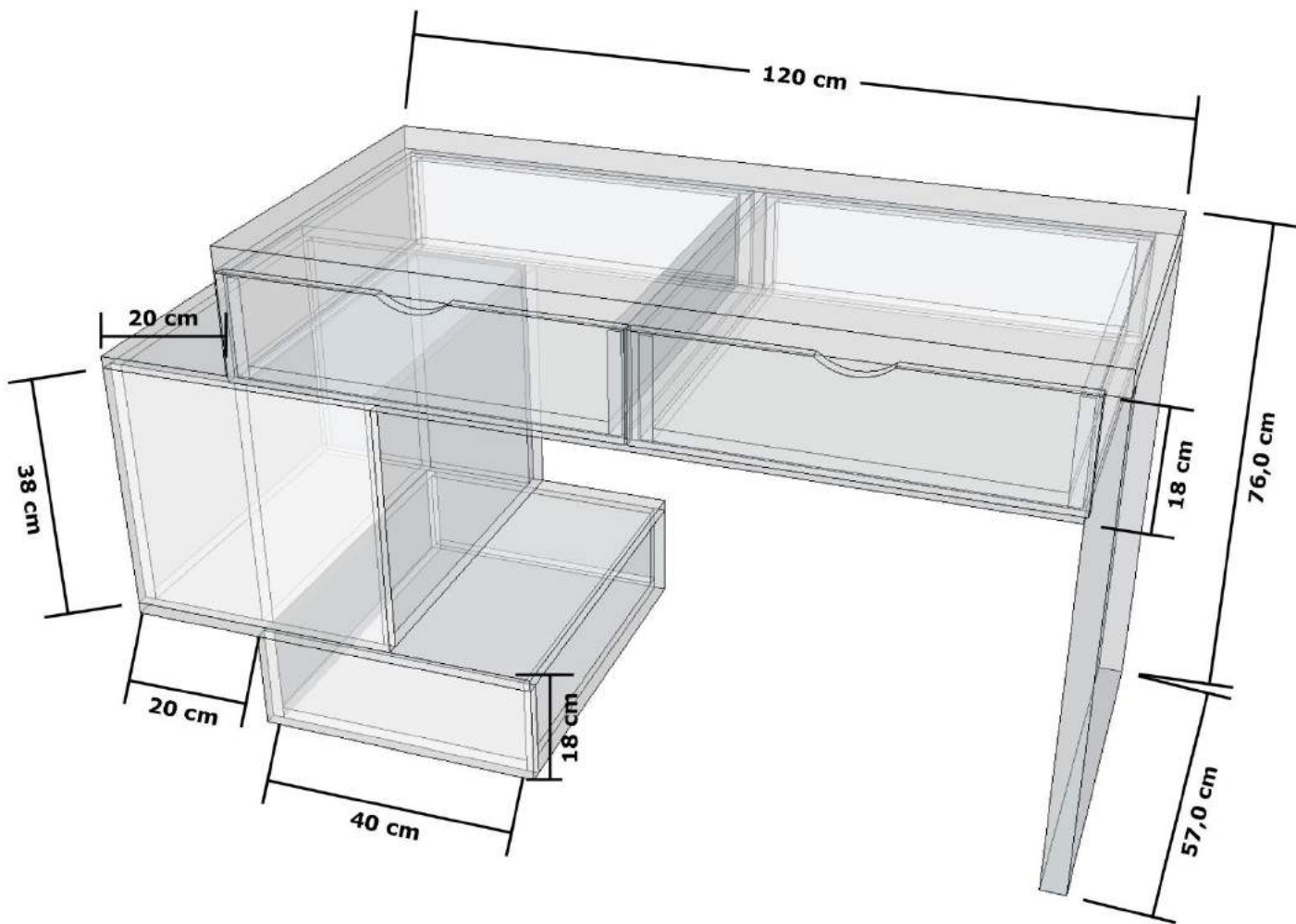




Num	Material	Referencia	Cantidad	Altura (cm)	Anchura (cm)	Espesor (cm)
1	MELA_BL, 1.8	Techo	1	120.0	53.0	1.8
2	MELA_BL, 1.8	Lateral Derecho	1	73.2	53.0	1.8
3	MELA_BL, 1.8	Lateral Izquierdo	1	73.2	53.0	1.8
4	MELA_BL, 1.8	Estante Fijo [1]	1	41.8	53.0	1.8
5	MELA_BL, 1.8	Estante Fijo [2]	1	40.0	51.2	1.8
6	MELA_BL, 1.8	Estante Fijo [3]	1	25.0	53.0	1.8
7	MELA_BL, 1.8	División Libre 1 [1]	1	56.4	40.0	1.8
8	MELA_BL, 1.8	División Vertical [1]	1	56.4	53.0	1.8
9	MELA_BL, 1.8	División Vertical [2]	1	10.0	53.0	1.8
10	MELA_BL, 1.8	División Vertical [3]	1	10.0	53.0	1.8
11	MELA_BL, 1.8	Cajón 1 [1]_1	1	19.0	43.0	1.8
12	MELA_BL, 1.8	Cajón 1 [1]_2	1	19.0	43.0	1.8
13	MELA_BL, 1.8	Cajón 1 [1]_3	1	19.0	43.0	1.8
14	MELA_BL, 1.8	Lateral Der Cajón 1 [1]_1	1	49.3	16.7	1.8
15	MELA_BL, 1.8	Lateral Der Cajón 1 [1]_2	1	49.3	18.2	1.8
16	MELA_BL, 1.8	Lateral Der Cajón 1 [1]_3	1	49.3	16.7	1.8
17	MELA_BL, 1.8	Lateral Izq Cajón 1 [1]_1	1	49.3	16.7	1.8
18	MELA_BL, 1.8	Lateral Izq Cajón 1 [1]_2	1	49.3	18.2	1.8
19	MELA_BL, 1.8	Lateral Izq Cajón 1 [1]_3	1	49.3	16.7	1.8
20	MELA_BL, 1.8	Fondo Cajón 1 [1]_1	1	47.5	35.8	1.8
21	MELA_BL, 1.8	Fondo Cajón 1 [1]_2	1	47.5	35.8	1.8
22	MELA_BL, 1.8	Fondo Cajón 1 [1]_3	1	47.5	35.8	1.8
23	MELA_BL, 1.8	Trasera Cajón 1 [1]_1	1	35.8	16.7	1.8
24	MELA_BL, 1.8	Trasera Cajón 1 [1]_2	1	35.8	18.2	1.8
25	MELA_BL, 1.8	Trasera Cajón 1 [1]_3	1	35.8	16.7	1.8
26	MELA_BL, 1.8	Contra-Frente Cajón 1 [1]_1	1	39.4	16.7	1.8
27	MELA_BL, 1.8	Contra-Frente Cajón 1 [1]_2	1	39.4	18.2	1.8
28	MELA_BL, 1.8	Contra-Frente Cajón 1 [1]_3	1	39.4	16.7	1.8

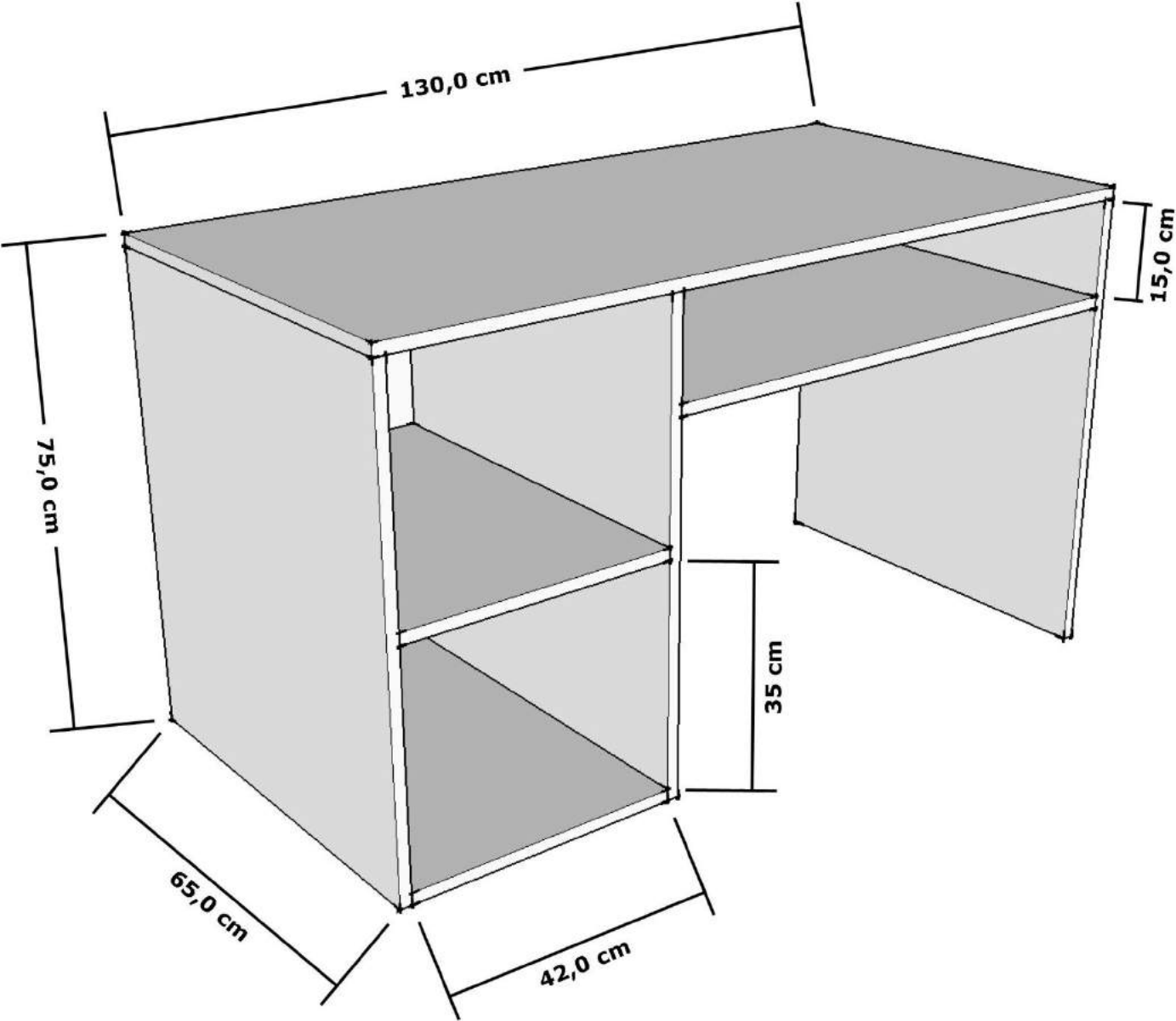
Escritorios y Mesas #18

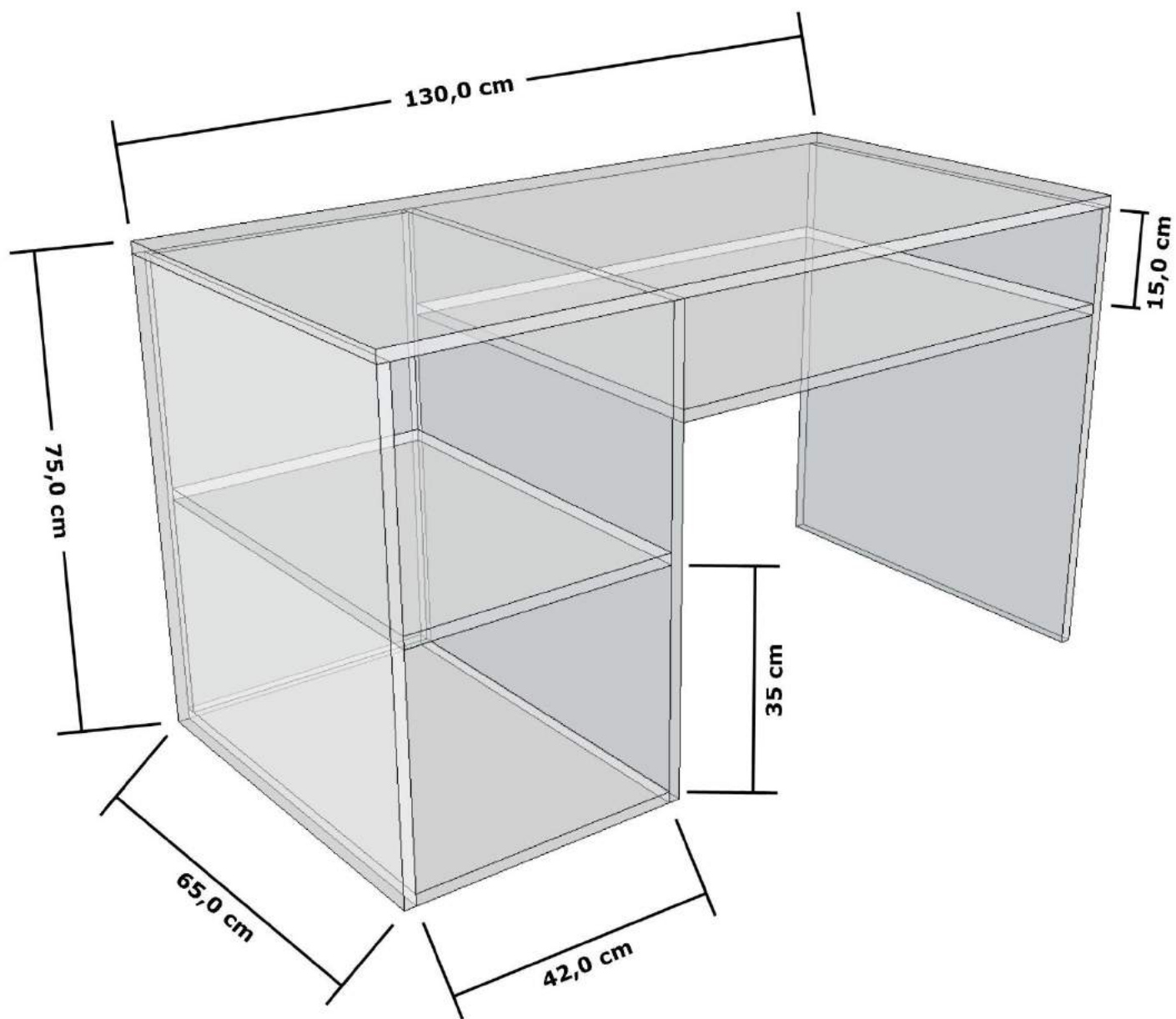




Num	Material	Referencia	Cantidad	Altura (cm)	Anchura (cm)	Espesor (cm)
1	MELA_BL 36MM, 3.6	Lateral Derecho	1	72.4	57.0	3.6
2	MELA_BL 36MM, 3.6	Estante Fijo [1]	1	120.0	57.0	3.6
3	MELA_BL, 1.8	Estante Fijo [2]	1	136.4	57.0	1.8
4	MELA_BL, 1.8	Estante Fijo [3]	1	63.6	57.0	1.8
5	MELA_BL, 1.8	Estante Fijo [4]	1	40.0	55.2	1.8
6	MELA_BL, 1.8	División Libre 1 [1]	1	38.4	38.2	1.8
7	MELA_BL, 1.8	División Libre 1 [2]	1	41.8	38.4	1.8
8	MELA_BL, 1.8	División Libre 1 [3]	1	40.0	13.4	1.8
9	MELA_BL, 1.8	División Libre 1 [4]	1	43.6	15.2	1.8
10	MELA_BL, 1.8	División Libre 1 [5]	1	114.6	15.2	1.8
11	MELA_BL, 1.8	División Vertical [1]	1	15.2	55.2	1.8
12	MELA_BL, 1.8	División Vertical [2]	1	15.2	55.2	1.8
13	MELA_BL, 1.8	División Vertical [3]	1	15.2	57.0	1.8
14	MELA_BL, 1.8	División Vertical [4]	1	38.4	55.2	1.8
15	MELA_BL, 1.8	División Vertical [5]	1	38.4	55.2	1.8
16	MELA_BL, 1.8	División Vertical [6]	1	15.2	55.2	1.8
17	MELA_BL, 1.8	División Vertical [7]	1	38.4	53.4	1.8
18	MELA_BL, 1.8	Cajón 1 [1]	1	15.7	57.4	1.8
19	MELA_BL, 1.8	Cajón 1 [2]	1	15.7	57.8	1.8
20	MELA_BL, 1.8	Lateral Der Cajón 1 [1]	1	55.1	14.4	1.8
21	MELA_BL, 1.8	Lateral Der Cajón 1 [2]	1	55.1	14.4	1.8
22	MELA_BL, 1.8	Lateral Izq Cajón 1 [1]	1	55.1	14.4	1.8
23	MELA_BL, 1.8	Lateral Izq Cajón 1 [2]	1	55.1	14.4	1.8
24	MELA_BL, 1.8	Fondo Cajón 1 [1]	1	53.3	52.2	1.8
25	MELA_BL, 1.8	Fondo Cajón 1 [2]	1	53.3	52.2	1.8
26	MELA_BL, 1.8	Trasera Cajón 1 [1]	1	52.2	14.4	1.8
27	MELA_BL, 1.8	Trasera Cajón 1 [2]	1	52.2	14.4	1.8

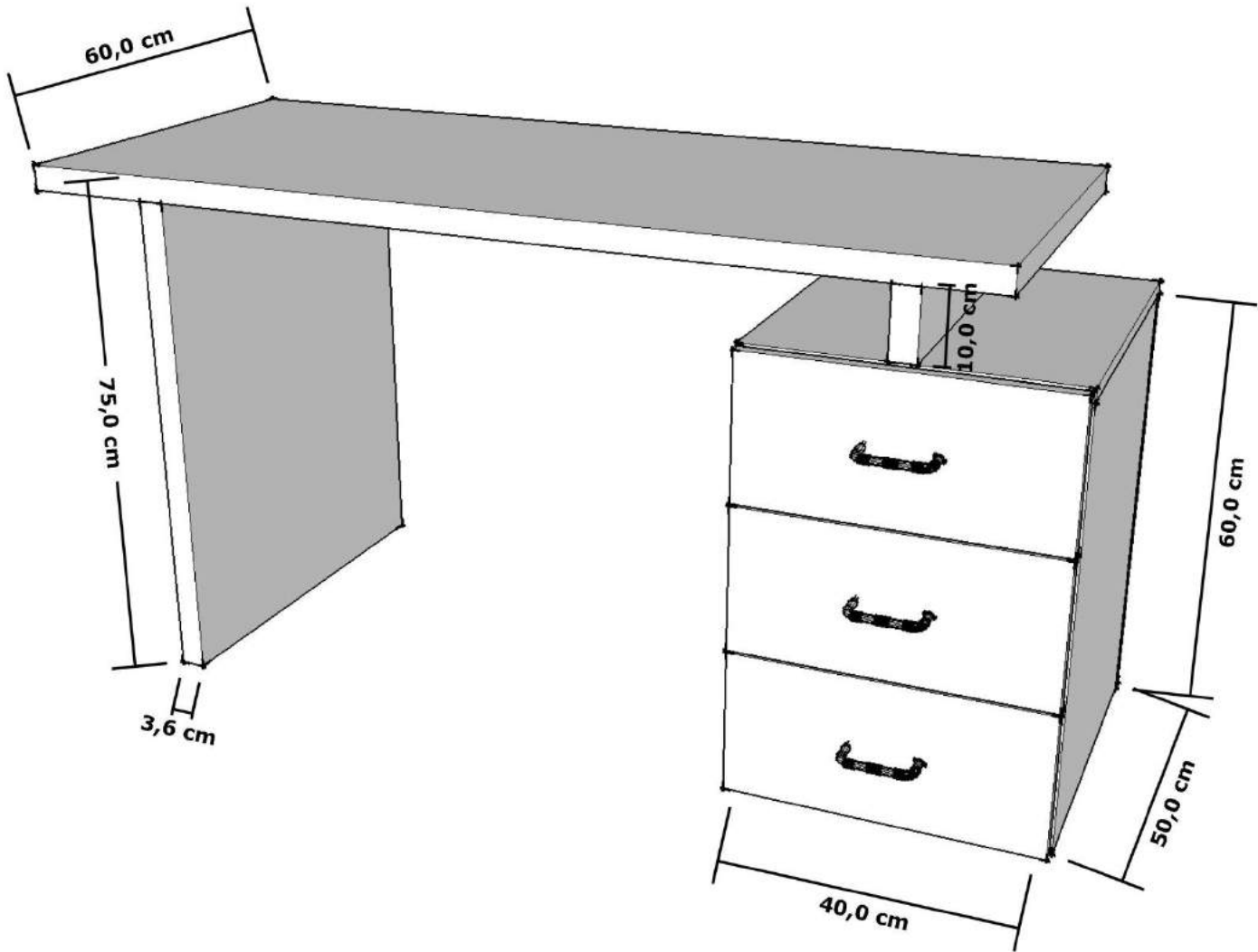
Escritorios y Mesas #19

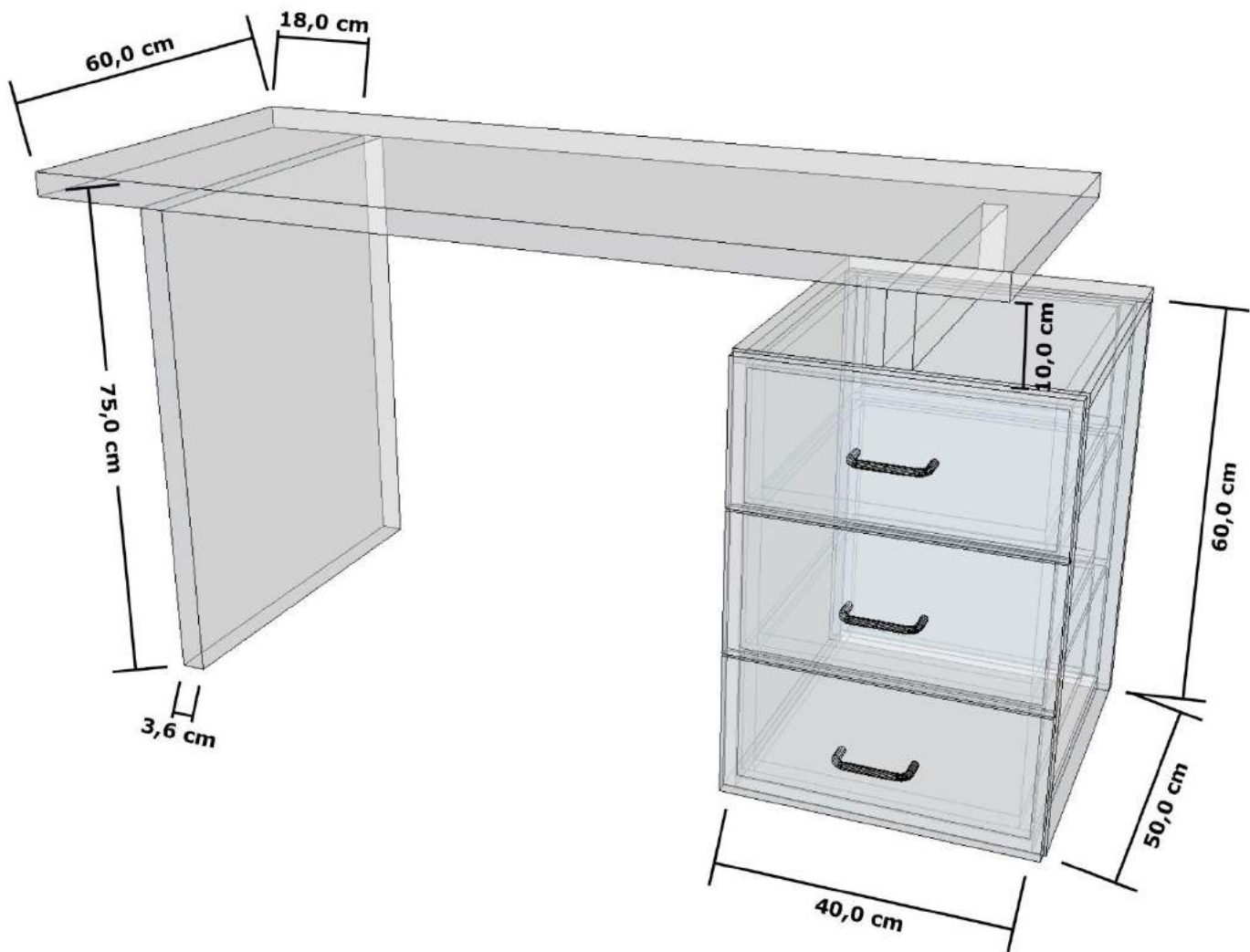




Num	Material	Referencia	Cantidad	Altura (cm)	Anchura (cm)	Espesor (cm)
1	MELA_BL, 1.8	Techo	1	130.0	65.0	1.8
2	MELA_BL, 1.8	Lateral Derecho	1	73.2	65.0	1.8
3	MELA_BL, 1.8	Lateral Izquierdo	1	73.2	65.0	1.8
4	MELA_BL, 1.8	Estante Fijo [1]	1	42.0	65.0	1.8
5	MELA_BL, 1.8	Estante Fijo [2]	1	42.0	63.2	1.8
6	MELA_BL, 1.8	Estante Fijo [3]	1	82.6	65.0	1.8
7	MELA_BL, 1.8	División Libre 1 [1]	1	71.4	42.0	1.8
8	MELA_BL, 1.8	División Vertical [1]	1	73.2	65.0	1.8

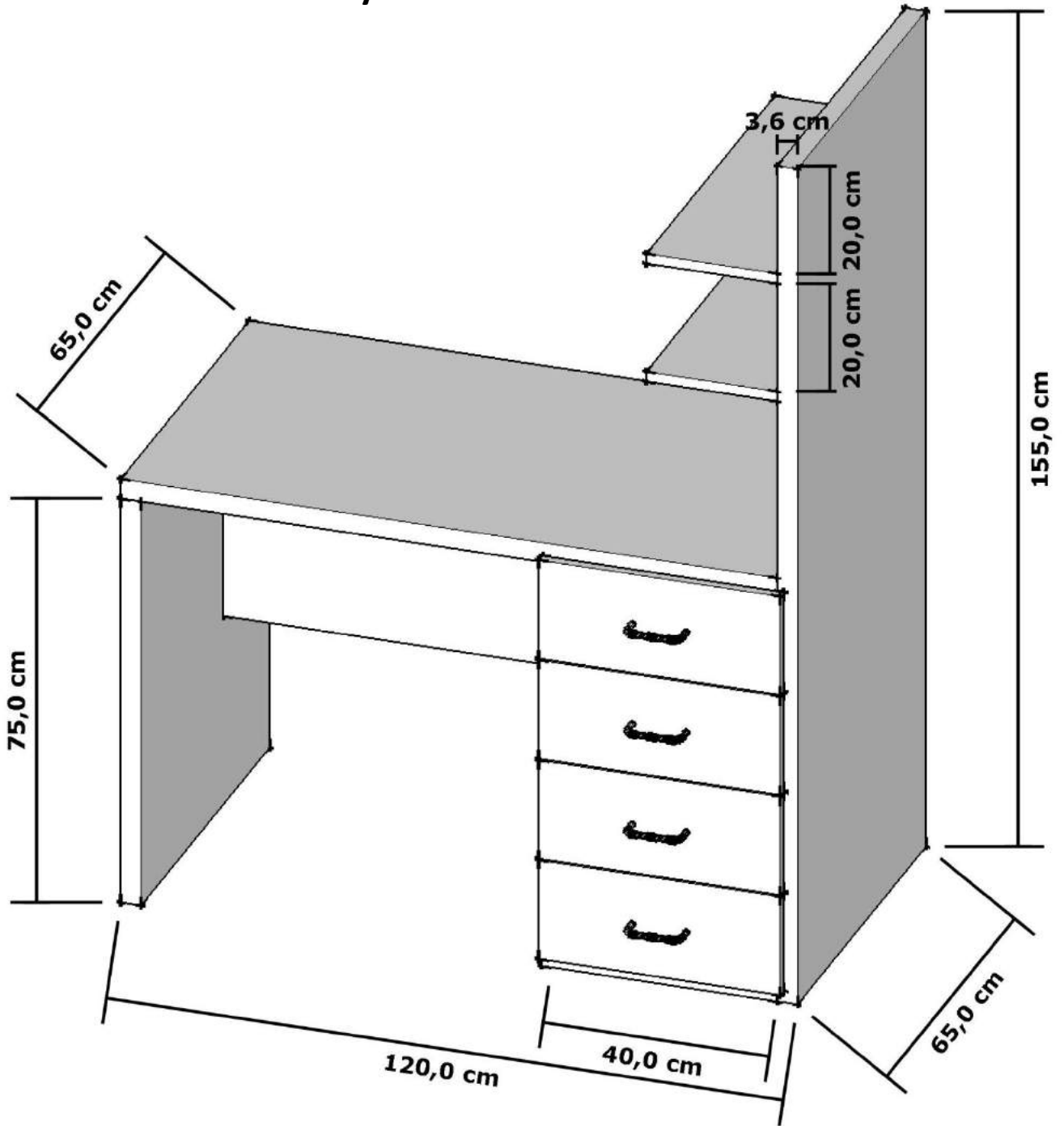
Escritorios y Mesas #20

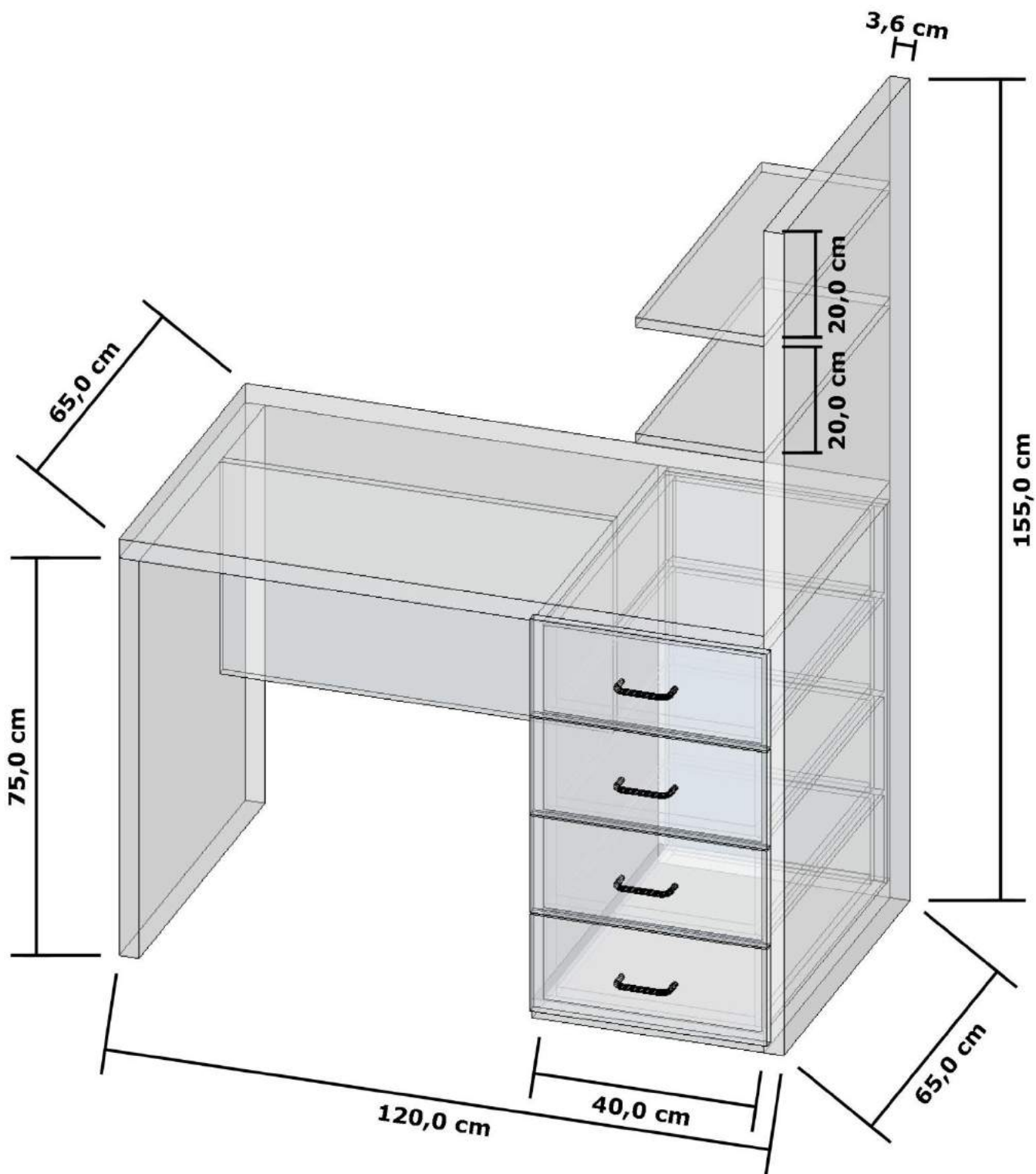




Num	Material	Referencia	Cantidad	Altura (cm)	Anchura (cm)	Espesor (cm)
1	MELA_BL 36MM, 3.6	Estante Fijo [1]	1	140.0	60.0	3.6
2	MELA_BL, 1.8	Estante Fijo [2]	1	43.6	50.0	1.8
3	MELA_BL, 1.8	Estante Fijo [3]	1	40.0	48.2	1.8
4	MELA_BL, 1.8	División Libre 1 [1]	1	60.0	43.6	1.8
5	MELA_BL 36MM, 3.6	División Vertical [1]	1	71.4	60.0	3.6
6	MELA_BL, 1.8	División Vertical [2]	1	60.0	48.2	1.8
7	MELA_BL, 1.8	División Vertical [3]	1	60.0	48.2	1.8
8	MELA_BL 36MM, 3.6	División Vertical [4]	1	9.6	50.0	3.6
9	MELA_BL, 1.8	Cajón 1 [1]_1	1	20.2	43.0	1.8
10	MELA_BL, 1.8	Cajón 1 [1]_2	1	20.2	43.0	1.8
11	MELA_BL, 1.8	Cajón 1 [1]_3	1	20.2	43.0	1.8
12	MELA_BL, 1.8	Lateral Der Cajón 1 [1]_1	1	46.3	17.9	1.8
13	MELA_BL, 1.8	Lateral Der Cajón 1 [1]_2	1	46.3	19.4	1.8
14	MELA_BL, 1.8	Lateral Der Cajón 1 [1]_3	1	46.3	17.9	1.8
15	MELA_BL, 1.8	Lateral Izq Cajón 1 [1]_1	1	46.3	17.9	1.8
16	MELA_BL, 1.8	Lateral Izq Cajón 1 [1]_2	1	46.3	19.4	1.8
17	MELA_BL, 1.8	Lateral Izq Cajón 1 [1]_3	1	46.3	17.9	1.8
18	MELA_BL, 1.8	Fondo Cajón 1 [1]_1	1	44.5	35.8	1.8
19	MELA_BL, 1.8	Fondo Cajón 1 [1]_2	1	44.5	35.8	1.8
20	MELA_BL, 1.8	Fondo Cajón 1 [1]_3	1	44.5	35.8	1.8
21	MELA_BL, 1.8	Trasera Cajón 1 [1]_1	1	35.8	17.9	1.8
22	MELA_BL, 1.8	Trasera Cajón 1 [1]_2	1	35.8	19.4	1.8
23	MELA_BL, 1.8	Trasera Cajón 1 [1]_3	1	35.8	17.9	1.8
24	MELA_BL, 1.8	Contra-Frente Cajón 1 [1]_1	1	39.4	17.9	1.8
25	MELA_BL, 1.8	Contra-Frente Cajón 1 [1]_2	1	39.4	19.4	1.8
26	MELA_BL, 1.8	Contra-Frente Cajón 1 [1]_3	1	39.4	17.9	1.8

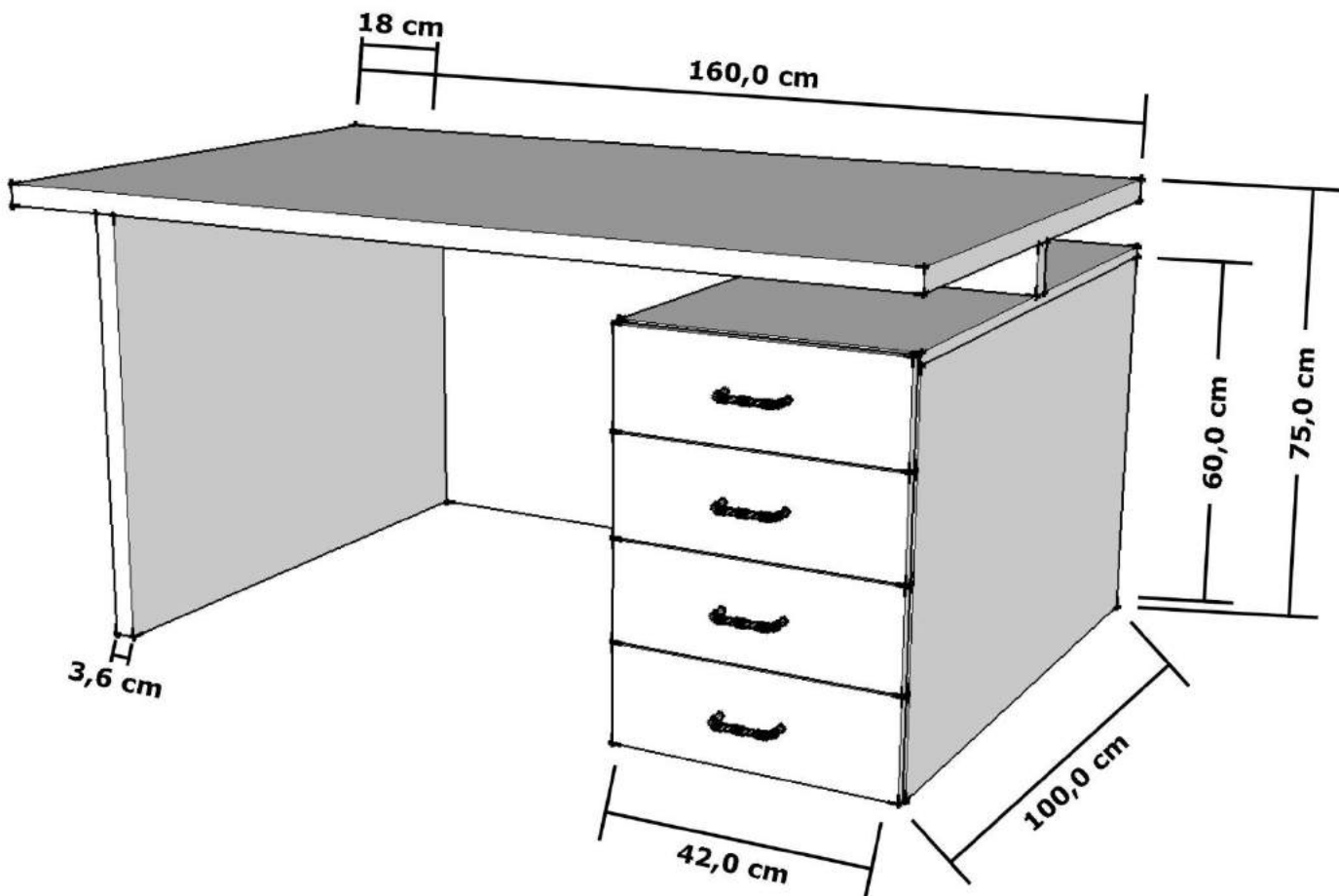
Escritorios y Mesas #21

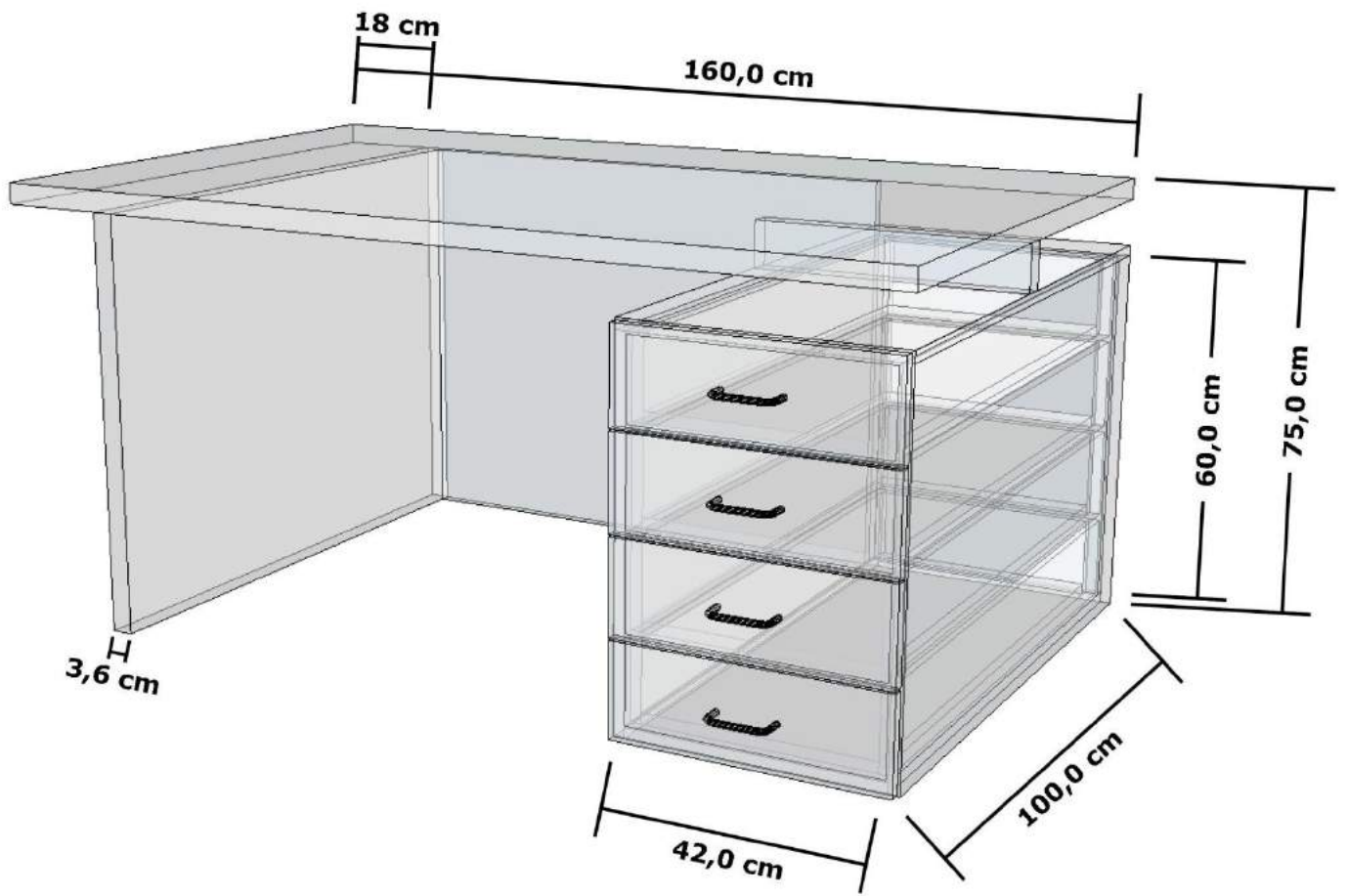




Num	Material	Referencia	Cantidad	Altura (cm)	Anchura (cm)	Espesor (cm)
1	MELA_BL 36MM, 3.6	Lateral Derecho	1	155.0	65.0	3.6
2	MELA_BL 36MM, 3.6	Estante Fijo [1]	1	116.4	65.0	3.6
3	MELA_BL, 1.8	Estante Fijo [2]	1	23.2	65.0	1.8
4	MELA_BL, 1.8	Estante Fijo [3]	1	23.2	65.0	1.8
5	MELA_BL 36MM, 3.6	Estante Fijo [4]	1	41.8	65.0	3.6
6	MELA_BL, 1.8	División Libre 1 [1]	1	71.4	40.0	1.8
7	MELA_BL, 1.8	División Libre 1 [2]	1	71.0	40.0	1.8
8	MELA_BL 36MM, 3.6	División Vertical [1]	1	75.0	65.0	3.6
9	MELA_BL, 1.8	División Vertical [2]	1	71.4	65.0	1.8
10	MELA_BL, 1.8	Cajón 1 [1]_1	1	18.3	42.8	1.8
11	MELA_BL, 1.8	Cajón 1 [1]_2	1	18.3	42.8	1.8
12	MELA_BL, 1.8	Cajón 1 [1]_3	1	18.3	42.8	1.8
13	MELA_BL, 1.8	Cajón 1 [1]_4	1	18.3	42.8	1.8
14	MELA_BL, 1.8	Lateral Der Cajón 1 [1]_1	1	61.3	16.2	1.8
15	MELA_BL, 1.8	Lateral Der Cajón 1 [1]_2	1	61.3	17.5	1.8
16	MELA_BL, 1.8	Lateral Der Cajón 1 [1]_3	1	61.3	17.5	1.8
17	MELA_BL, 1.8	Lateral Der Cajón 1 [1]_4	1	61.3	16.2	1.8
18	MELA_BL, 1.8	Lateral Izq Cajón 1 [1]_1	1	61.3	16.2	1.8
19	MELA_BL, 1.8	Lateral Izq Cajón 1 [1]_2	1	61.3	17.5	1.8
20	MELA_BL, 1.8	Lateral Izq Cajón 1 [1]_3	1	61.3	17.5	1.8
21	MELA_BL, 1.8	Lateral Izq Cajón 1 [1]_4	1	61.3	16.2	1.8
22	MELA_BL, 1.8	Fondo Cajón 1 [1]_1	1	59.5	35.8	1.8
23	MELA_BL, 1.8	Fondo Cajón 1 [1]_2	1	59.5	35.8	1.8
24	MELA_BL, 1.8	Fondo Cajón 1 [1]_3	1	59.5	35.8	1.8
25	MELA_BL, 1.8	Fondo Cajón 1 [1]_4	1	59.5	35.8	1.8
26	MELA_BL, 1.8	Trasera Cajón 1 [1]_1	1	35.8	16.2	1.8
27	MELA_BL, 1.8	Trasera Cajón 1 [1]_2	1	35.8	17.5	1.8
28	MELA_BL, 1.8	Trasera Cajón 1 [1]_3	1	35.8	17.5	1.8
29	MELA_BL, 1.8	Trasera Cajón 1 [1]_4	1	35.8	16.2	1.8
30	MELA_BL, 1.8	Contra-Frente Cajón 1 [1]_1	1	39.4	16.2	1.8
31	MELA_BL, 1.8	Contra-Frente Cajón 1 [1]_2	1	39.4	17.5	1.8
32	MELA_BL, 1.8	Contra-Frente Cajón 1 [1]_3	1	39.4	17.5	1.8
33	MELA_BL, 1.8	Contra-Frente Cajón 1 [1]_4	1	39.4	16.2	1.8

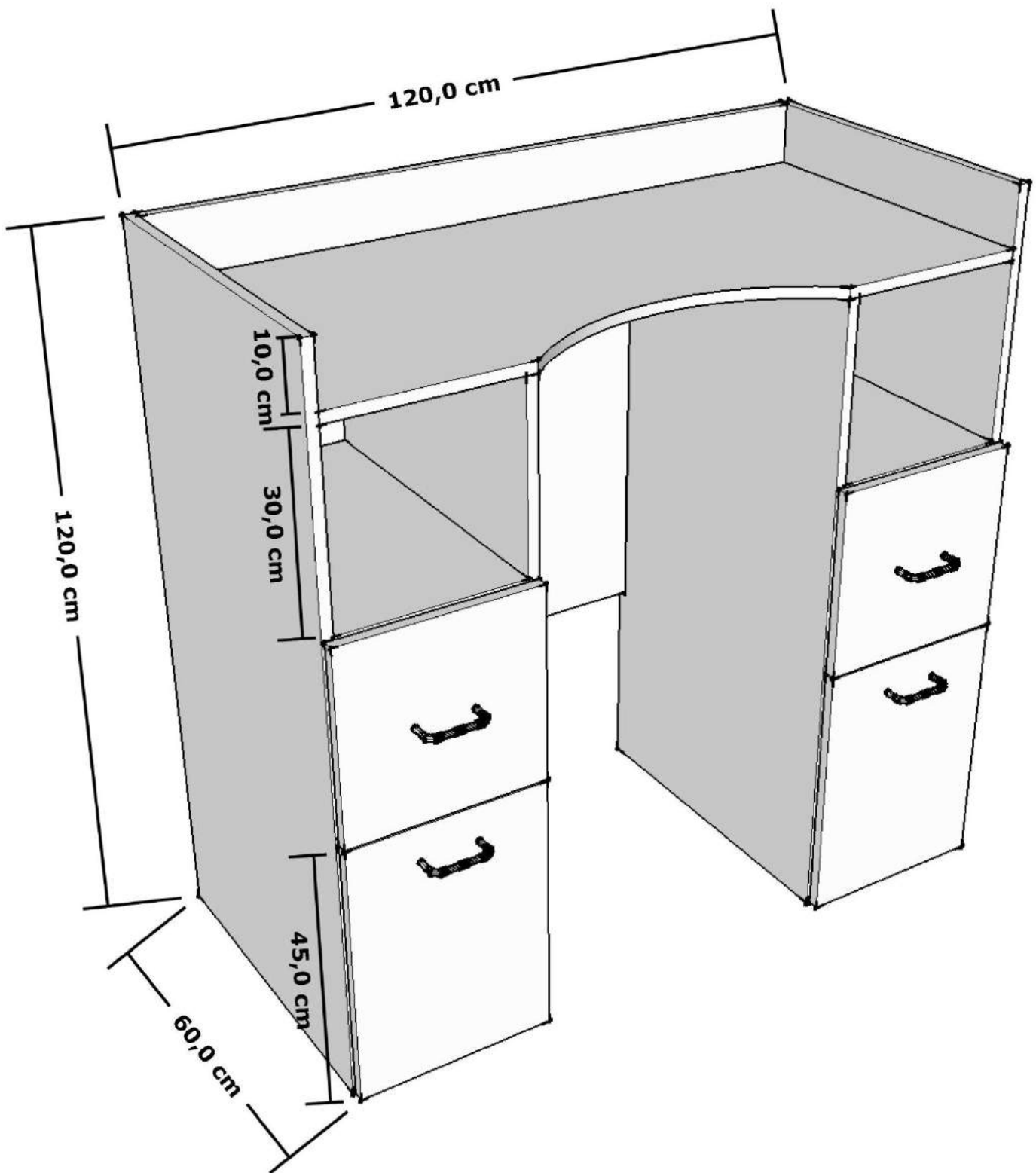
Escritorios y Mesas #22

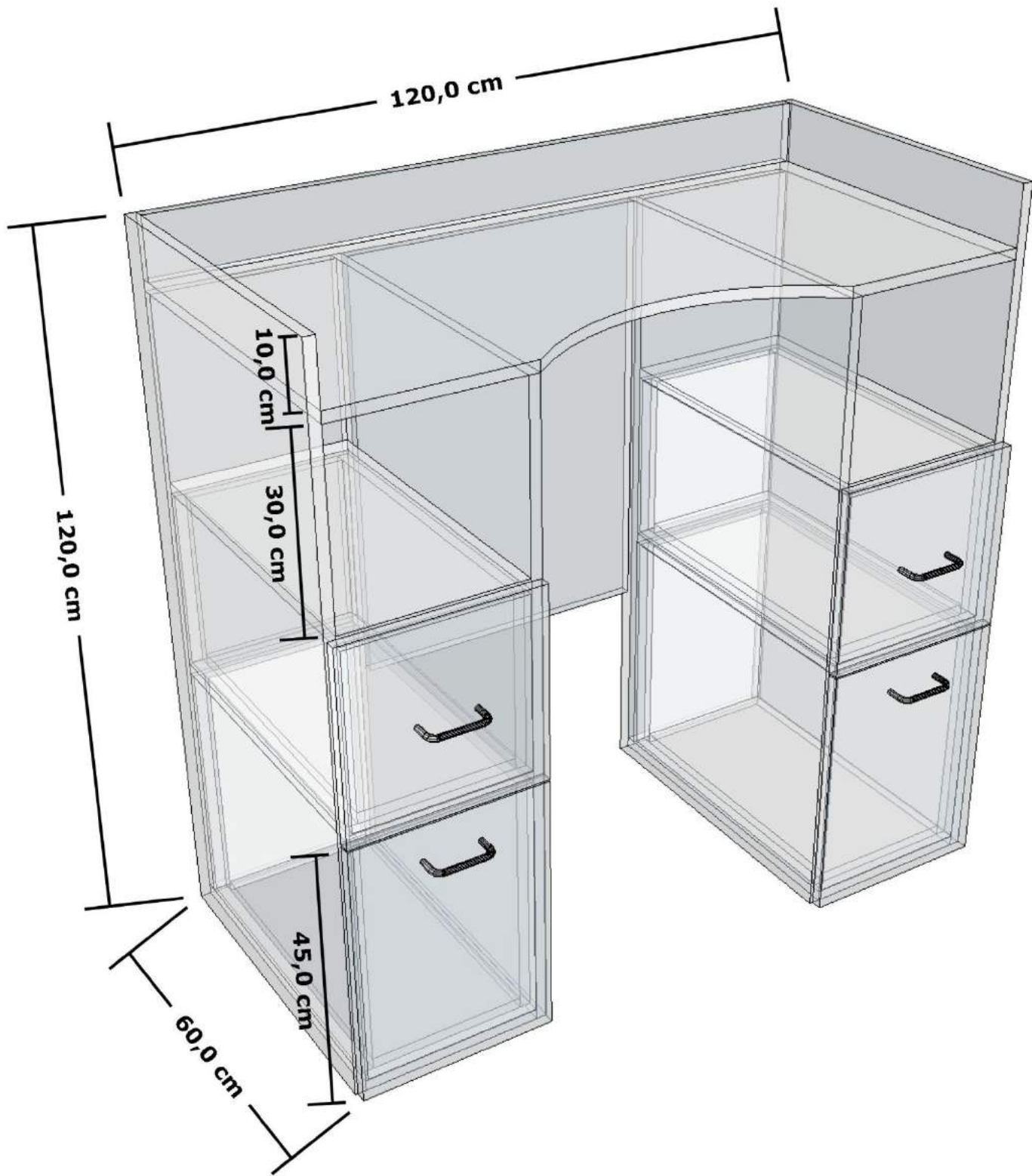




Num	Material	Referencia	Cantidad	Altura (cm)	Anchura (cm)	Espesor (cm)
1	MELA_BL 36MM, 3.6	Techo	1	160.0	97.9	3.6
2	MELA_BL, 1.8	Estante Fijo [1]	1	42.0	97.9	1.8
3	MELA_BL, 1.8	Estante Fijo [2]	1	45.6	97.9	1.8
4	MELA_BL 36MM, 3.6	División Libre 1 [1]	1	45.6	7.8	3.6
5	MELA_BL, 1.8	División Libre 1 [2]	1	60.0	42.0	1.8
6	MELA_BL, 1.8	División Libre 1 [3]	1	92.8	71.4	1.8
7	MELA_BL 36MM, 3.6	División Vertical [1]	1	71.4	97.9	3.6
8	MELA_BL, 1.8	División Vertical [2]	1	61.8	97.9	1.8
9	MELA_BL, 1.8	División Vertical [3]	1	61.8	97.9	1.8
10	MELA_BL, 1.8	Cajón 1 [1]_1	1	15.5	45.0	1.8
11	MELA_BL, 1.8	Cajón 1 [1]_2	1	15.5	45.0	1.8
12	MELA_BL, 1.8	Cajón 1 [1]_3	1	15.5	45.0	1.8
13	MELA_BL, 1.8	Cajón 1 [1]_4	1	15.5	45.0	1.8
14	MELA_BL, 1.8	Lateral Der Cajón 1 [1]_1	1	94.2	13.2	1.8
15	MELA_BL, 1.8	Lateral Der Cajón 1 [1]_2	1	94.2	14.7	1.8
16	MELA_BL, 1.8	Lateral Der Cajón 1 [1]_3	1	94.2	14.7	1.8
17	MELA_BL, 1.8	Lateral Der Cajón 1 [1]_4	1	94.2	13.2	1.8
18	MELA_BL, 1.8	Lateral Izq Cajón 1 [1]_1	1	94.2	13.2	1.8
19	MELA_BL, 1.8	Lateral Izq Cajón 1 [1]_2	1	94.2	14.7	1.8
20	MELA_BL, 1.8	Lateral Izq Cajón 1 [1]_3	1	94.2	14.7	1.8
21	MELA_BL, 1.8	Lateral Izq Cajón 1 [1]_4	1	94.2	13.2	1.8
22	MELA_BL, 1.8	Fondo Cajón 1 [1]_1	1	92.4	37.8	1.8
23	MELA_BL, 1.8	Fondo Cajón 1 [1]_2	1	92.4	37.8	1.8
24	MELA_BL, 1.8	Fondo Cajón 1 [1]_3	1	92.4	37.8	1.8
25	MELA_BL, 1.8	Fondo Cajón 1 [1]_4	1	92.4	37.8	1.8
26	MELA_BL, 1.8	Trasera Cajón 1 [1]_1	1	37.8	13.2	1.8
27	MELA_BL, 1.8	Trasera Cajón 1 [1]_2	1	37.8	14.7	1.8
28	MELA_BL, 1.8	Trasera Cajón 1 [1]_3	1	37.8	14.7	1.8
29	MELA_BL, 1.8	Trasera Cajón 1 [1]_4	1	37.8	13.2	1.8
30	MELA_BL, 1.8	Contra-Frente Cajón 1 [1]_1	1	41.4	13.2	1.8
31	MELA_BL, 1.8	Contra-Frente Cajón 1 [1]_2	1	41.4	14.7	1.8
32	MELA_BL, 1.8	Contra-Frente Cajón 1 [1]_3	1	41.4	14.7	1.8
33	MELA_BL, 1.8	Contra-Frente Cajón 1 [1]_4	1	41.4	13.2	1.8

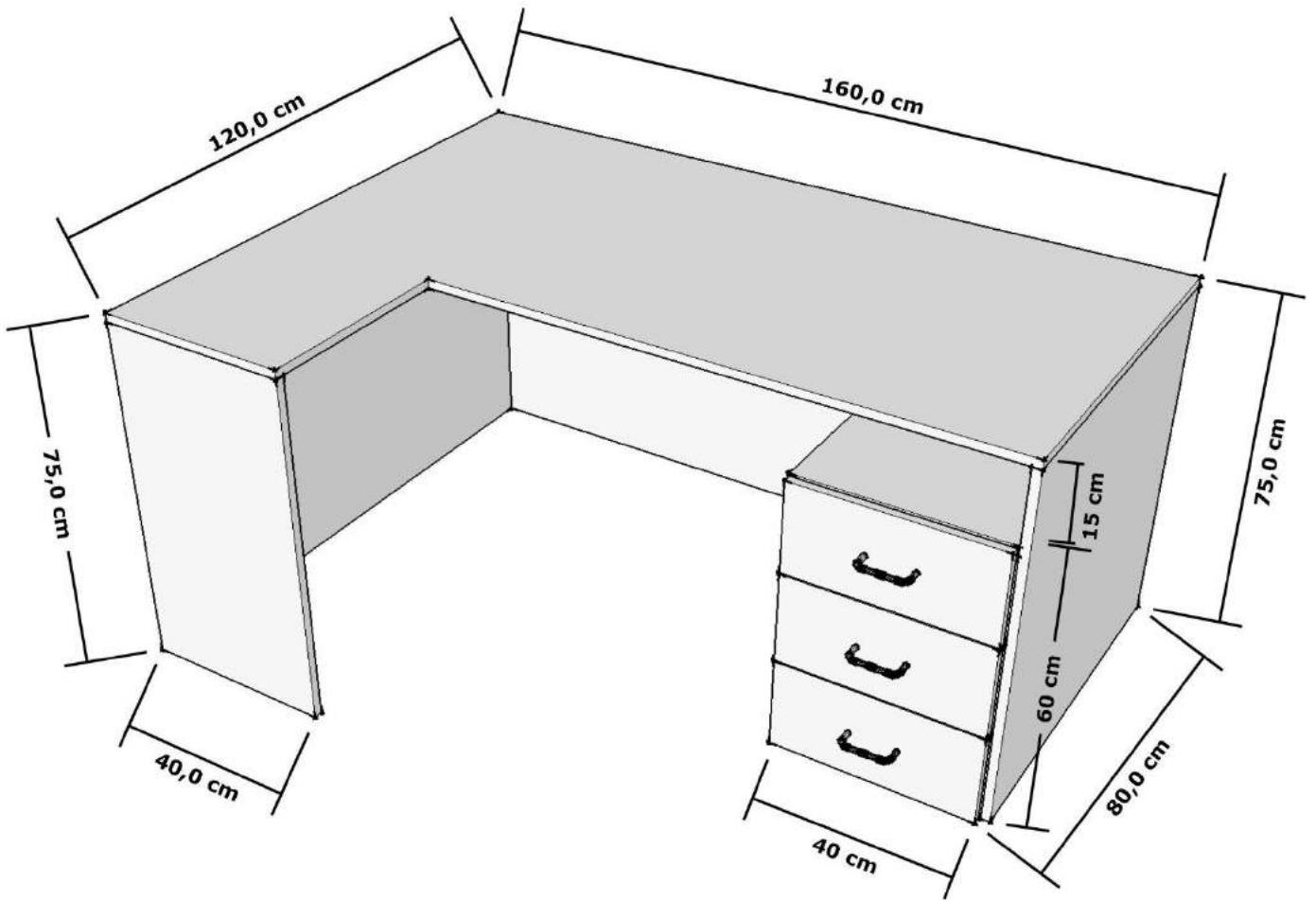
Escritorios y Mesas #23

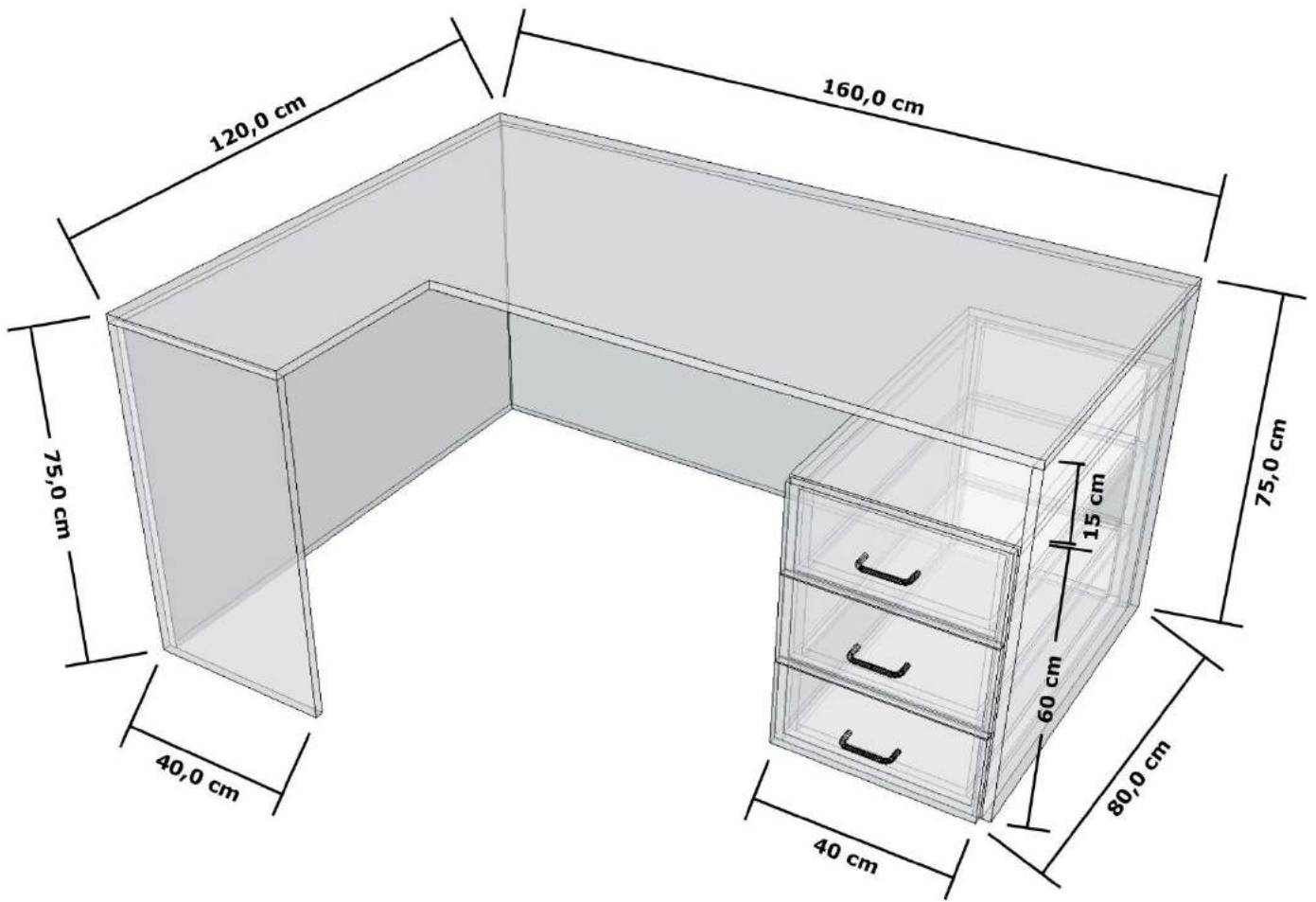




Num	Material	Referencia	Cantidad	Altura (cm)	Anchura (cm)	Espesor (cm)
1	MELA_BL, 1.8	Lateral Derecho	1	120.0	57.9	1.8
2	MELA_BL, 1.8	Lateral Izquierdo	1	120.0	57.9	1.8
3	MELA_BL, 1.8	Estante Fijo [1]	1	116.4	57.9	1.8
4	MELA_BL, 1.8	Estante Fijo [2]	1	30.0	57.9	1.8
5	MELA_BL, 1.8	Estante Fijo [3]	1	30.0	57.9	1.8
6	MELA_BL, 1.8	Estante Fijo [4]	1	30.0	56.1	1.8
7	MELA_BL, 1.8	Estante Fijo [5]	1	30.0	56.1	1.8
8	MELA_BL, 1.8	Estante Fijo [6]	1	30.0	56.1	1.8
9	MELA_BL, 1.8	Estante Fijo [7]	1	30.0	56.1	1.8
10	MELA_BL, 1.8	División Libre 1 [1]	1	106.4	30.0	1.8
11	MELA_BL, 1.8	División Libre 1 [2]	1	106.4	30.0	1.8
12	MELA_BL, 1.8	División Libre 1 [3]	1	73.2	52.8	1.8
13	MELA_BL, 1.8	División Libre 1 [4]	1	116.4	10.0	1.8
14	MELA_BL, 1.8	División Vertical [1]	1	108.2	57.9	1.8
15	MELA_BL, 1.8	División Vertical [2]	1	108.2	57.9	1.8
16	MELA_BL, 1.8	Cajón 1 [1]	1	32.3	33.0	1.8
17	MELA_BL, 1.8	Cajón 1 [2]	1	32.3	33.0	1.8
18	MELA_BL, 1.8	Cajón 1 [3]	1	45.1	33.0	1.8
19	MELA_BL, 1.8	Cajón 1 [4]	1	45.1	33.0	1.8
20	MELA_BL, 1.8	Lateral Der Cajón 1 [1]	1	54.2	29.2	1.8
21	MELA_BL, 1.8	Lateral Der Cajón 1 [2]	1	54.2	29.2	1.8
22	MELA_BL, 1.8	Lateral Der Cajón 1 [3]	1	54.2	42.0	1.8
23	MELA_BL, 1.8	Lateral Der Cajón 1 [4]	1	54.2	42.0	1.8
24	MELA_BL, 1.8	Lateral Izq Cajón 1 [1]	1	54.2	29.2	1.8
25	MELA_BL, 1.8	Lateral Izq Cajón 1 [2]	1	54.2	29.2	1.8
26	MELA_BL, 1.8	Lateral Izq Cajón 1 [3]	1	54.2	42.0	1.8
27	MELA_BL, 1.8	Lateral Izq Cajón 1 [4]	1	54.2	42.0	1.8
28	MELA_BL, 1.8	Fondo Cajón 1 [1]	1	52.4	25.8	1.8
29	MELA_BL, 1.8	Fondo Cajón 1 [2]	1	52.4	25.8	1.8
30	MELA_BL, 1.8	Fondo Cajón 1 [3]	1	52.4	25.8	1.8
31	MELA_BL, 1.8	Fondo Cajón 1 [4]	1	52.4	25.8	1.8
32	MELA_BL, 1.8	Trasera Cajón 1 [1]	1	29.2	25.8	1.8
33	MELA_BL, 1.8	Trasera Cajón 1 [2]	1	29.2	25.8	1.8
34	MELA_BL, 1.8	Trasera Cajón 1 [3]	1	42.0	25.8	1.8
35	MELA_BL, 1.8	Trasera Cajón 1 [4]	1	42.0	25.8	1.8
36	MELA_BL, 1.8	Contra-Frente Cajón 1 [1]	1	29.4	29.2	1.8
37	MELA_BL, 1.8	Contra-Frente Cajón 1 [2]	1	29.4	29.2	1.8
38	MELA_BL, 1.8	Contra-Frente Cajón 1 [3]	1	42.0	29.4	1.8
39	MELA_BL, 1.8	Contra-Frente Cajón 1 [4]	1	42.0	29.4	1.8

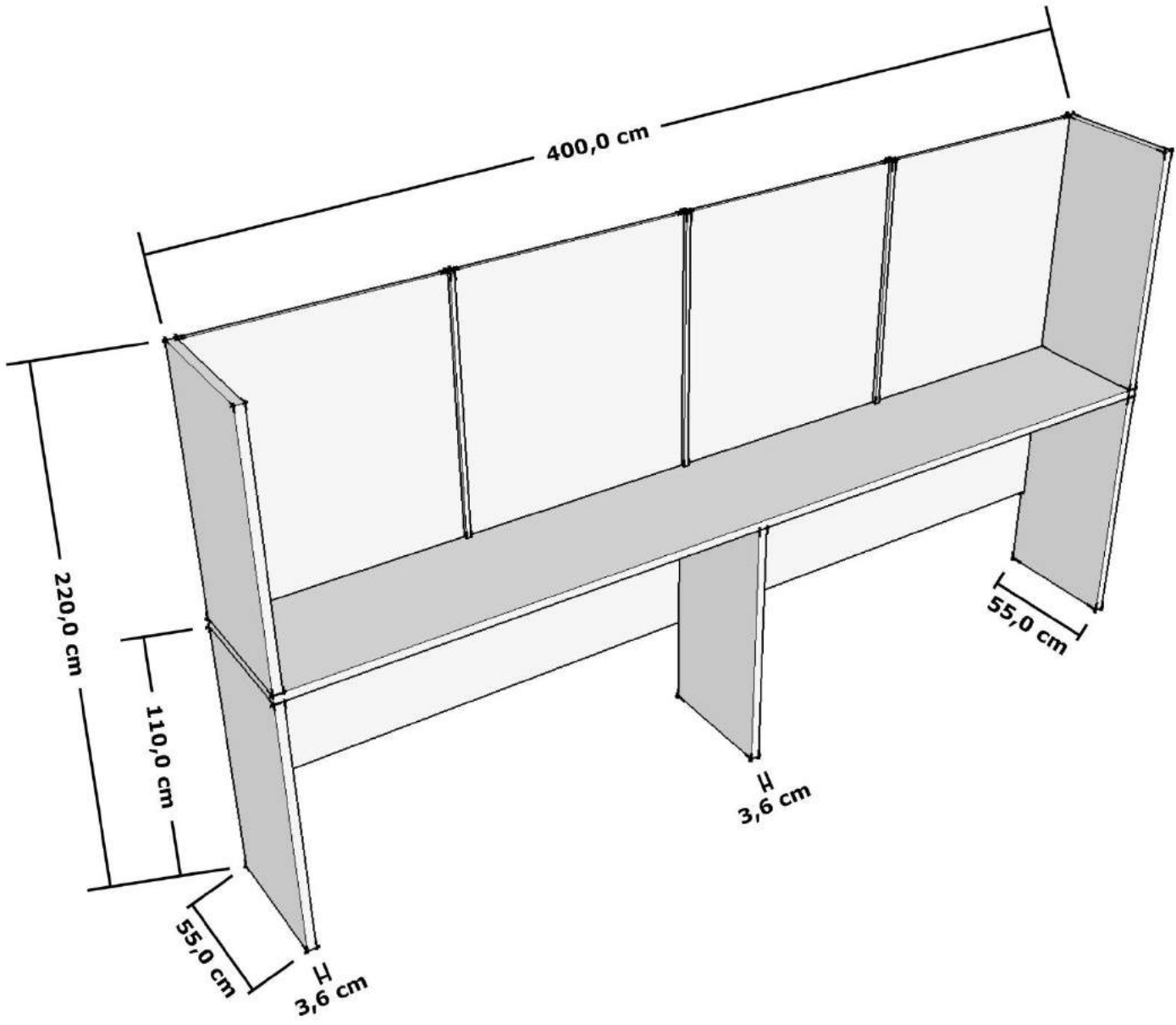
Escritorios y Mesas #24

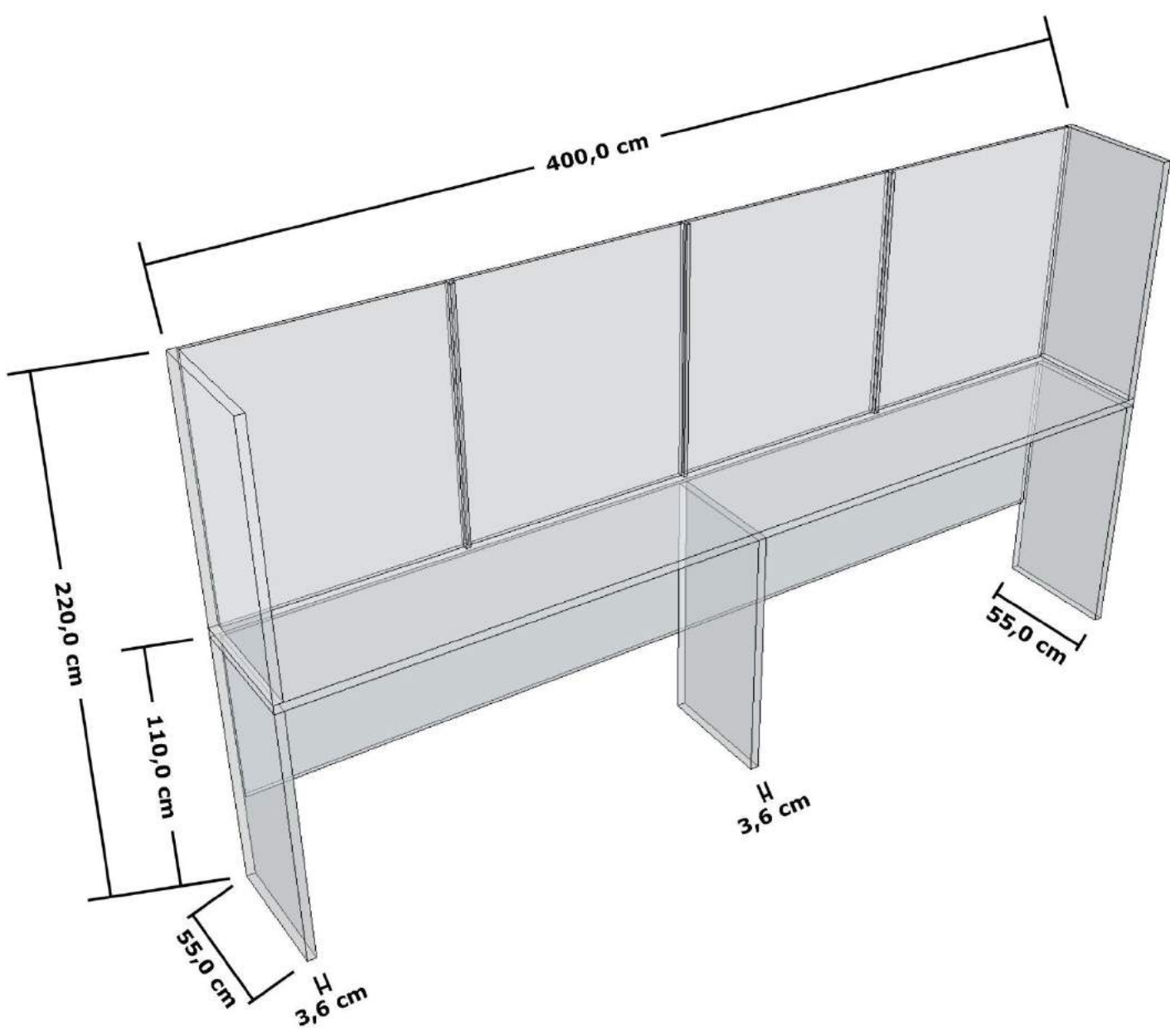




Num	Material	Referencia	Cantidad	Altura (cm)	Anchura (cm)	Espesor (cm)
1	MELA_BL, 1.8	Techo	1	120.0	160.0	1.8
2	MELA_BL, 1.8	Lateral Derecho	1	73.2	77.9	1.8
3	MELA_BL, 1.8	Lateral Izquierdo	1	73.2	40.0	1.8
4	MELA_BL, 1.8	Trasera Derecha	1	73.2	158.2	1.8
5	MELA_BL, 1.8	Trasera Izquierda	1	73.2	118.2	1.8
6	MELA_BL, 1.8	Estante Fijo [1]	1	76.1	41.8	1.8
7	MELA_BL, 1.8	Estante Fijo [2]	1	76.1	38.2	1.8
8	MELA_BL, 1.8	División Vertical [1]	1	56.4	76.1	1.8
9	MELA_BL, 1.8	División Vertical [2]	1	56.4	76.1	1.8
10	MELA_BL, 1.8	Cajón 1 [1]_1	1	19.0	41.2	1.8
11	MELA_BL, 1.8	Cajón 1 [1]_2	1	19.0	41.2	1.8
12	MELA_BL, 1.8	Cajón 1 [1]_3	1	19.0	41.2	1.8
13	MELA_BL, 1.8	Lateral Der Cajón 1 [1]_1	1	74.2	16.7	1.8
14	MELA_BL, 1.8	Lateral Der Cajón 1 [1]_2	1	74.2	18.2	1.8
15	MELA_BL, 1.8	Lateral Der Cajón 1 [1]_3	1	74.2	16.7	1.8
16	MELA_BL, 1.8	Lateral Izq Cajón 1 [1]_1	1	74.2	16.7	1.8
17	MELA_BL, 1.8	Lateral Izq Cajón 1 [1]_2	1	74.2	18.2	1.8
18	MELA_BL, 1.8	Lateral Izq Cajón 1 [1]_3	1	74.2	16.7	1.8
19	MELA_BL, 1.8	Fondo Cajón 1 [1]_1	1	72.4	34.0	1.8
20	MELA_BL, 1.8	Fondo Cajón 1 [1]_2	1	72.4	34.0	1.8
21	MELA_BL, 1.8	Fondo Cajón 1 [1]_3	1	72.4	34.0	1.8
22	MELA_BL, 1.8	Trasera Cajón 1 [1]_1	1	34.0	16.7	1.8
23	MELA_BL, 1.8	Trasera Cajón 1 [1]_2	1	34.0	18.2	1.8
24	MELA_BL, 1.8	Trasera Cajón 1 [1]_3	1	34.0	16.7	1.8
25	MELA_BL, 1.8	Contra-Frente Cajón 1 [1]_1	1	37.6	16.7	1.8
26	MELA_BL, 1.8	Contra-Frente Cajón 1 [1]_2	1	37.6	18.2	1.8
27	MELA_BL, 1.8	Contra-Frente Cajón 1 [1]_3	1	37.6	16.7	1.8

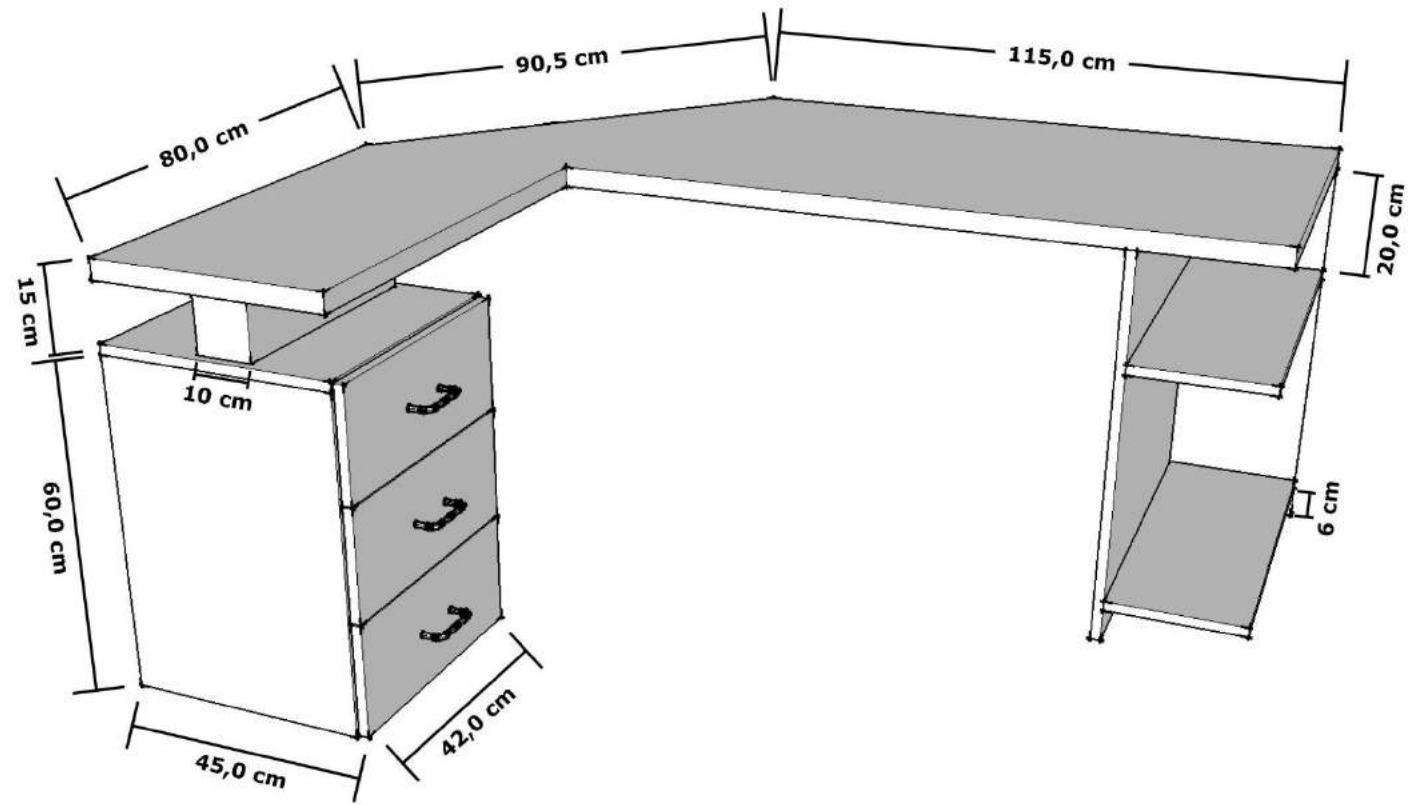
Escritorios y Mesas #25

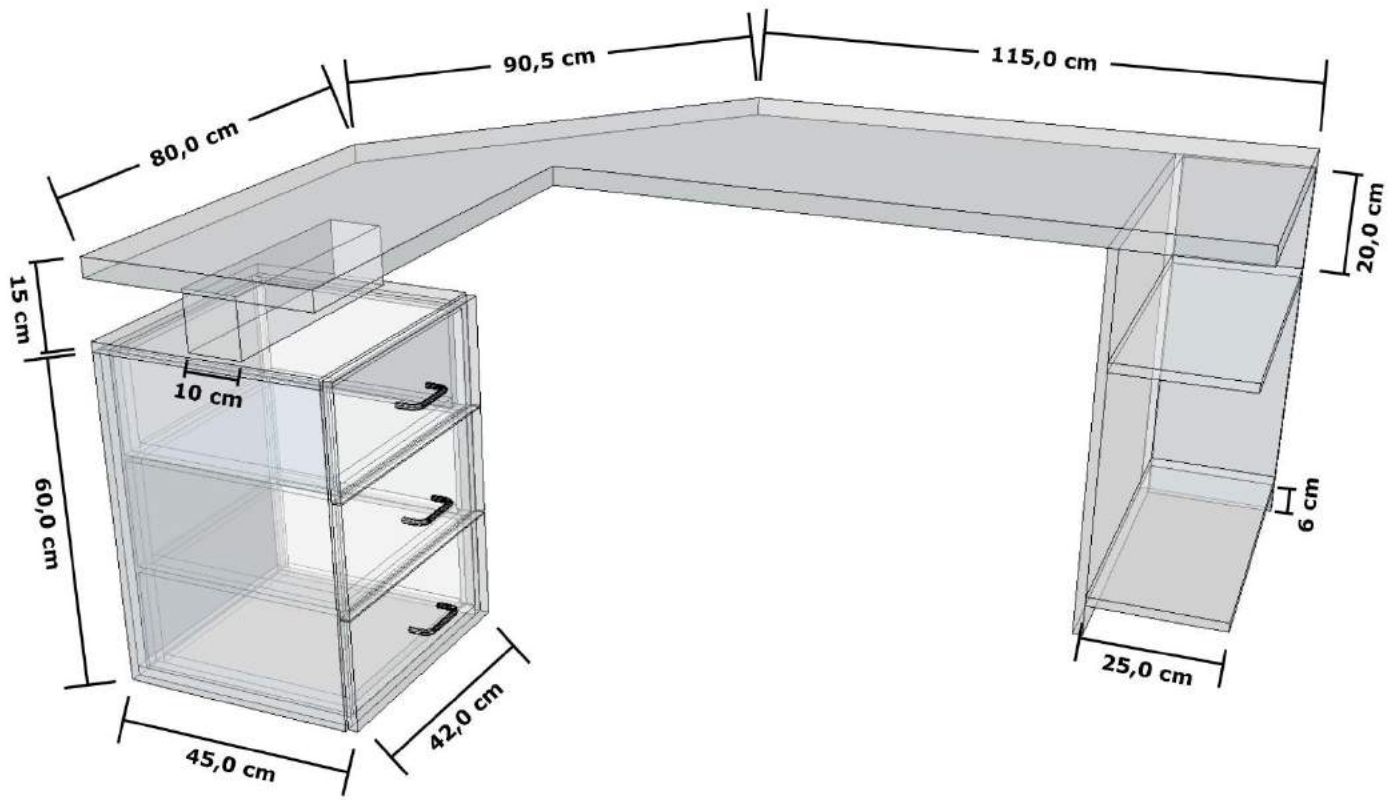




Num	Material	Referencia	Cantidad	Altura (cm)	Anchura (cm)	Espesor (cm)
1	MELA_BL 36MM, 3.6	Estante Fijo [1]	1	400.0	55.0	3.6
2	MELA_BL, 1.8	División Libre 1 [1]	1	392.8	72.0	1.8
3	MELA_BL, 1.8	División Libre 1 [2]_1	1	96.9	106.4	1.8
4	MELA_BL, 1.8	División Libre 1 [2]_2	1	96.9	106.4	1.8
5	MELA_BL, 1.8	División Libre 1 [2]_3	1	96.9	106.4	1.8
6	MELA_BL, 1.8	División Libre 1 [2]_4	1	96.9	106.4	1.8
7	MELA_BL 36MM, 3.6	División Vertical [1]	1	110.0	55.0	3.6
8	MELA_BL 36MM, 3.6	División Vertical [2]	1	110.0	55.0	3.6
9	MELA_BL 36MM, 3.6	División Vertical [3]	1	110.0	53.2	3.6
10	MELA_BL 36MM, 3.6	División Vertical [4]	1	106.4	55.0	3.6
11	MELA_BL 36MM, 3.6	División Vertical [5]	1	106.4	55.0	3.6
12	MELA_BL, 1.8	División Vertical [6]	1	106.4	3.6	1.8
13	MELA_BL, 1.8	División Vertical [7]	1	106.4	3.6	1.8
14	MELA_BL, 1.8	División Vertical [8]	1	106.4	3.6	1.8

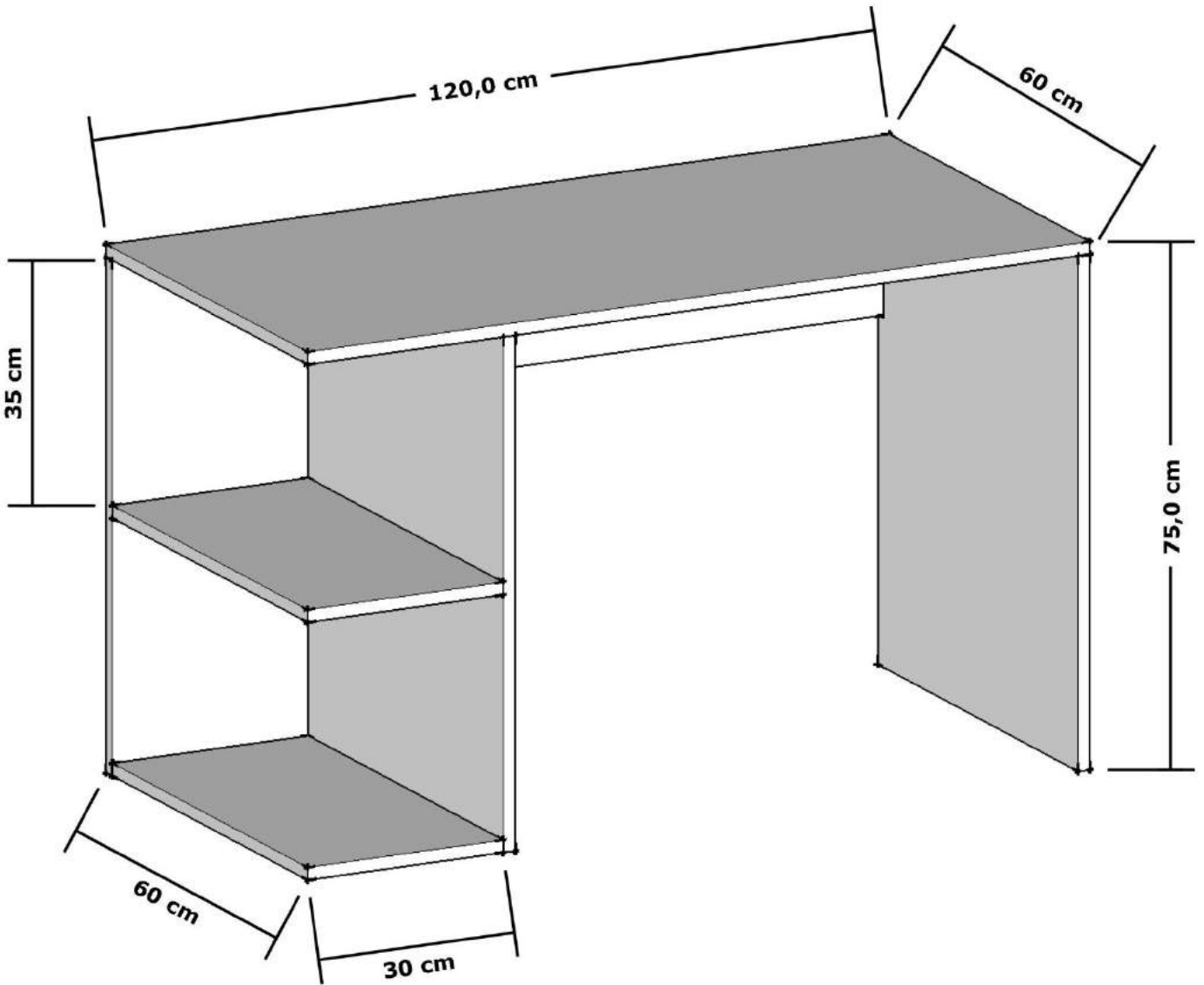
Escritorios y Mesas #26

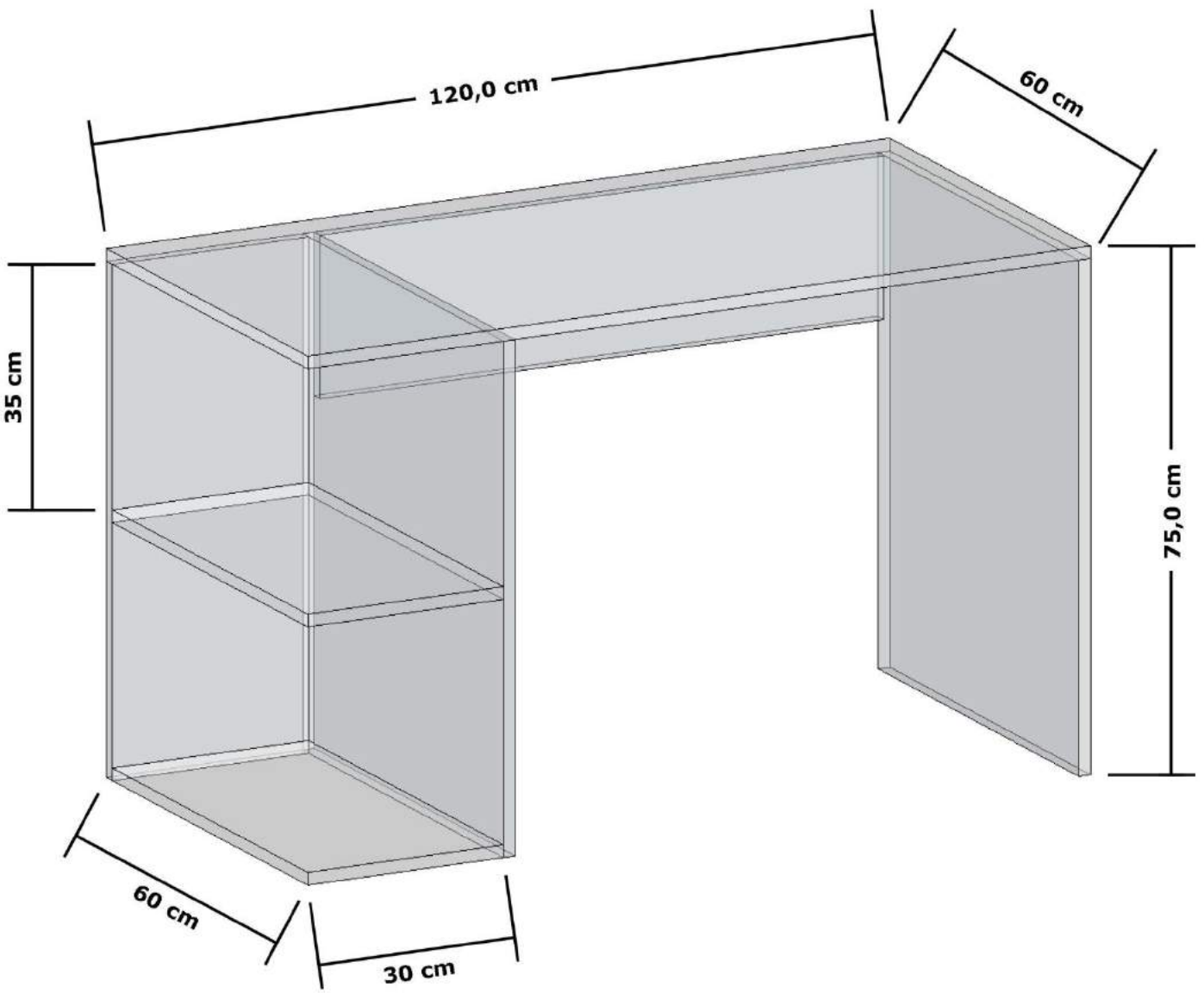




Num	Material	Referencia	Cantidad	Altura (cm)	Anchura (cm)	Espesor (cm)
1	MELA_BL 36MM, 3.6	Estante Fijo [1]	1	150.0	172.3	3.6
2	MELA_BL, 1.8	Estante Fijo [2]	1	45.6	42.9	1.8
3	MELA_BL, 1.8	Estante Fijo [3]	1	42.0	42.9	1.8
4	MELA_BL, 1.8	Estante Fijo [4]	1	68.2	25.0	1.8
5	MELA_BL, 1.8	Estante Fijo [5]	1	68.2	25.0	1.8
6	MELA_BL, 1.8	División Libre 1 [1]	1	58.2	42.0	1.8
7	MELA_BL, 1.8	División Libre 1 [2]	1	72.4	25.0	1.8
8	Mela_BL 100MM, 10.0	División Libre 1 [3]	1	42.0	10.6	10.0
9	MELA_BL, 1.8	División Vertical [1]	1	60.0	42.9	1.8
10	MELA_BL, 1.8	División Vertical [2]	1	60.0	42.9	1.8
11	MELA_BL, 1.8	División Vertical [3]	1	72.4	70.0	1.8
12	MELA_BL, 1.8	Cajón 1 [1]_1	1	20.2	45.0	1.8
13	MELA_BL, 1.8	Cajón 1 [1]_2	1	20.2	45.0	1.8
14	MELA_BL, 1.8	Cajón 1 [1]_3	1	20.2	45.0	1.8
15	MELA_BL, 1.8	Lateral Der Cajón 1 [1]_1	1	39.2	17.9	1.8
16	MELA_BL, 1.8	Lateral Der Cajón 1 [1]_2	1	39.2	19.4	1.8
17	MELA_BL, 1.8	Lateral Der Cajón 1 [1]_3	1	39.2	17.9	1.8
18	MELA_BL, 1.8	Lateral Izq Cajón 1 [1]_1	1	39.2	17.9	1.8
19	MELA_BL, 1.8	Lateral Izq Cajón 1 [1]_2	1	39.2	19.4	1.8
20	MELA_BL, 1.8	Lateral Izq Cajón 1 [1]_3	1	39.2	17.9	1.8
21	MELA_BL, 1.8	Fondo Cajón 1 [1]_1	1	37.8	37.4	1.8
22	MELA_BL, 1.8	Fondo Cajón 1 [1]_2	1	37.8	37.4	1.8
23	MELA_BL, 1.8	Fondo Cajón 1 [1]_3	1	37.8	37.4	1.8
24	MELA_BL, 1.8	Trasera Cajón 1 [1]_1	1	37.8	17.9	1.8
25	MELA_BL, 1.8	Trasera Cajón 1 [1]_2	1	37.8	19.4	1.8
26	MELA_BL, 1.8	Trasera Cajón 1 [1]_3	1	37.8	17.9	1.8
27	MELA_BL, 1.8	Contra-Frente Cajón 1 [1]_1	1	41.4	17.9	1.8
28	MELA_BL, 1.8	Contra-Frente Cajón 1 [1]_2	1	41.4	19.4	1.8
29	MELA_BL, 1.8	Contra-Frente Cajón 1 [1]_3	1	41.4	17.9	1.8

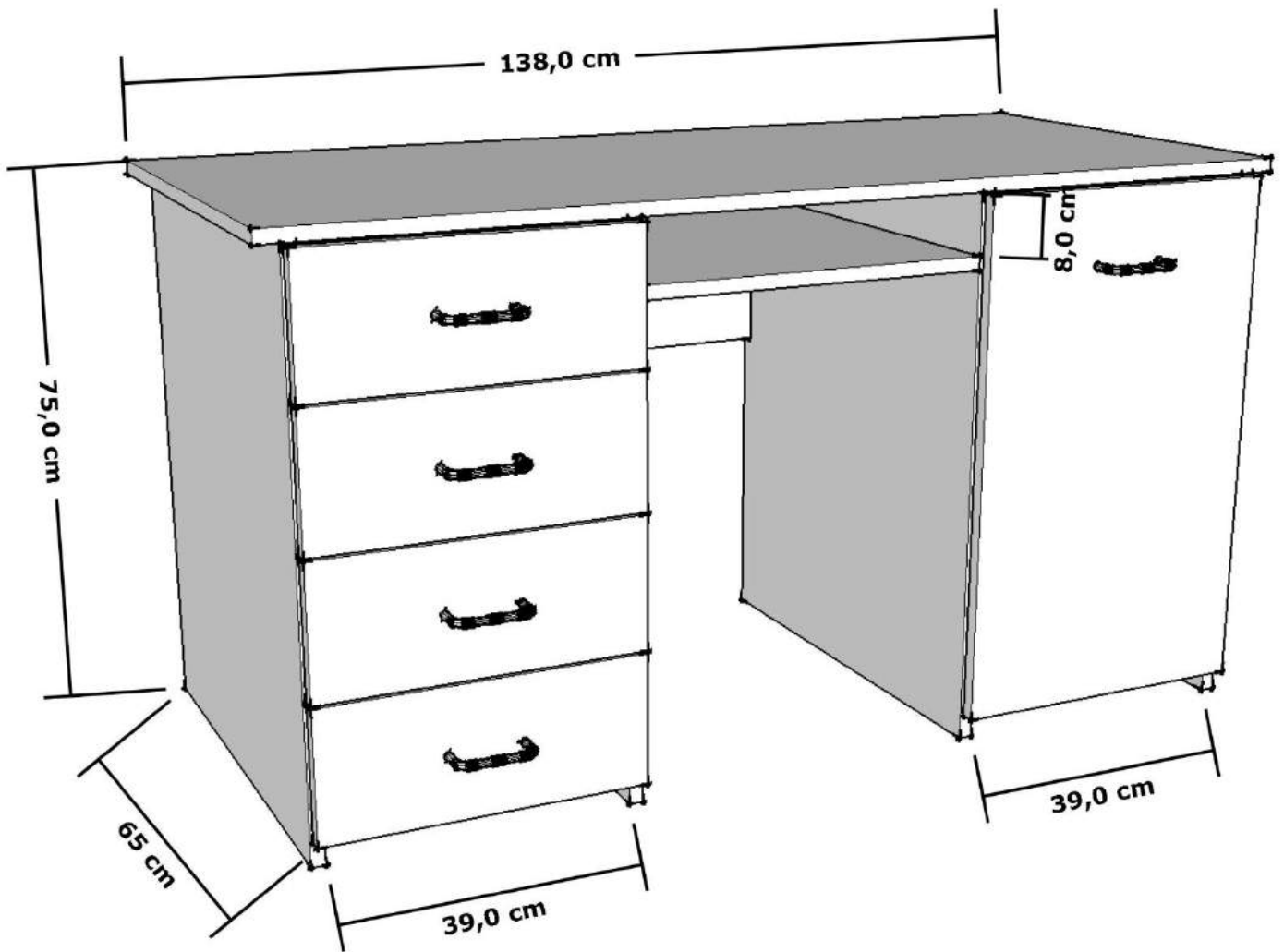
Escritorios y Mesas #27

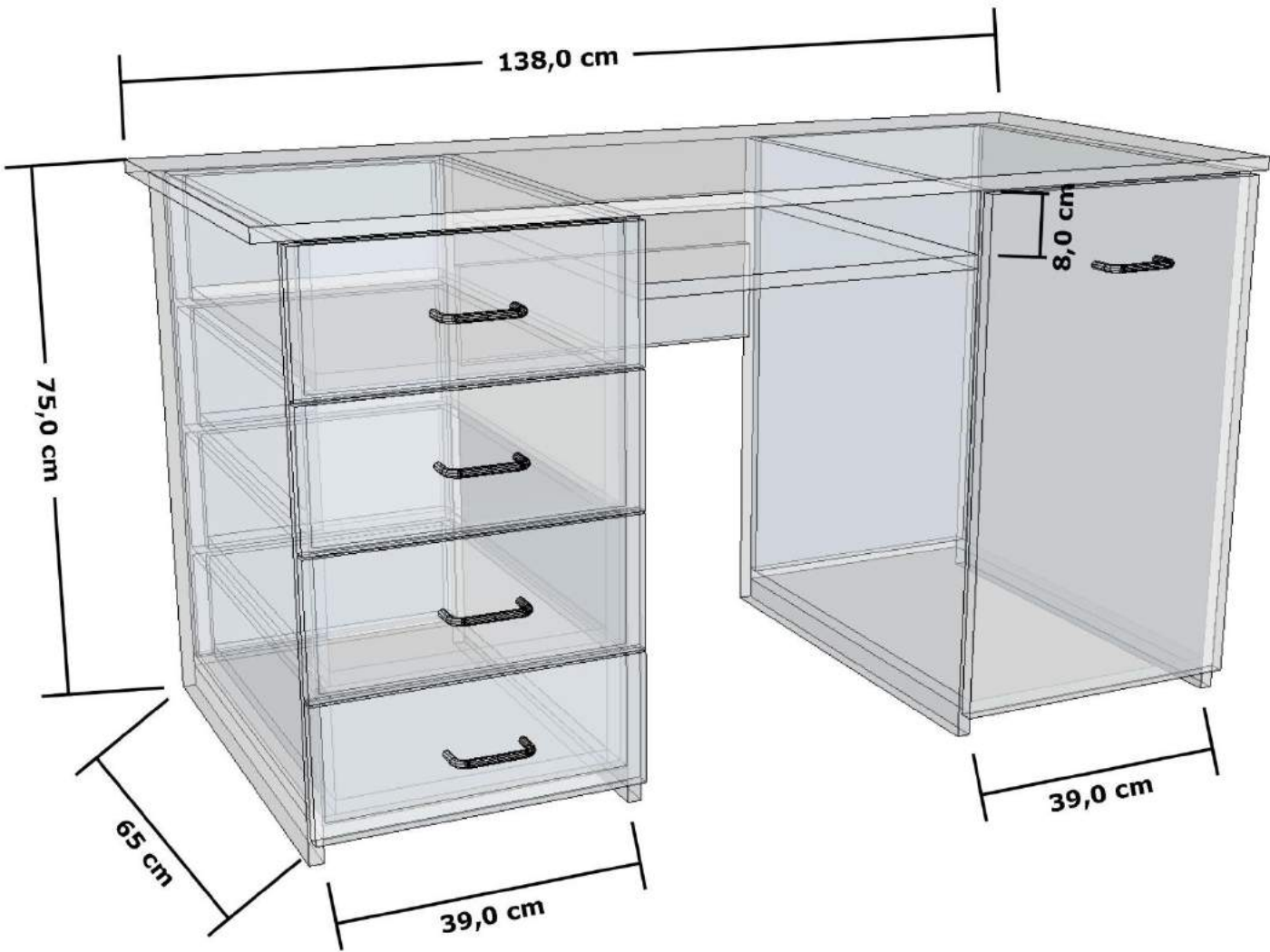




Num	Material	Referencia	Cantidad	Altura (cm)	Anchura (cm)	Espesor (cm)
1	MELA_BL, 1.8	Techo	1	120.0	60.0	1.8
2	MELA_BL, 1.8	Lateral Derecho	1	73.2	60.0	1.8
3	MELA_BL, 1.8	Estante Fijo [1]	1	30.0	58.2	1.8
4	MELA_BL, 1.8	Estante Fijo [2]	1	30.0	58.2	1.8
5	MELA_BL, 1.8	División Libre 1 [1]	1	86.4	23.2	1.8
6	MELA_BL, 1.8	División Libre 1 [2]	1	73.2	30.0	1.8
7	MELA_BL, 1.8	División Vertical [1]	1	73.2	60.0	1.8

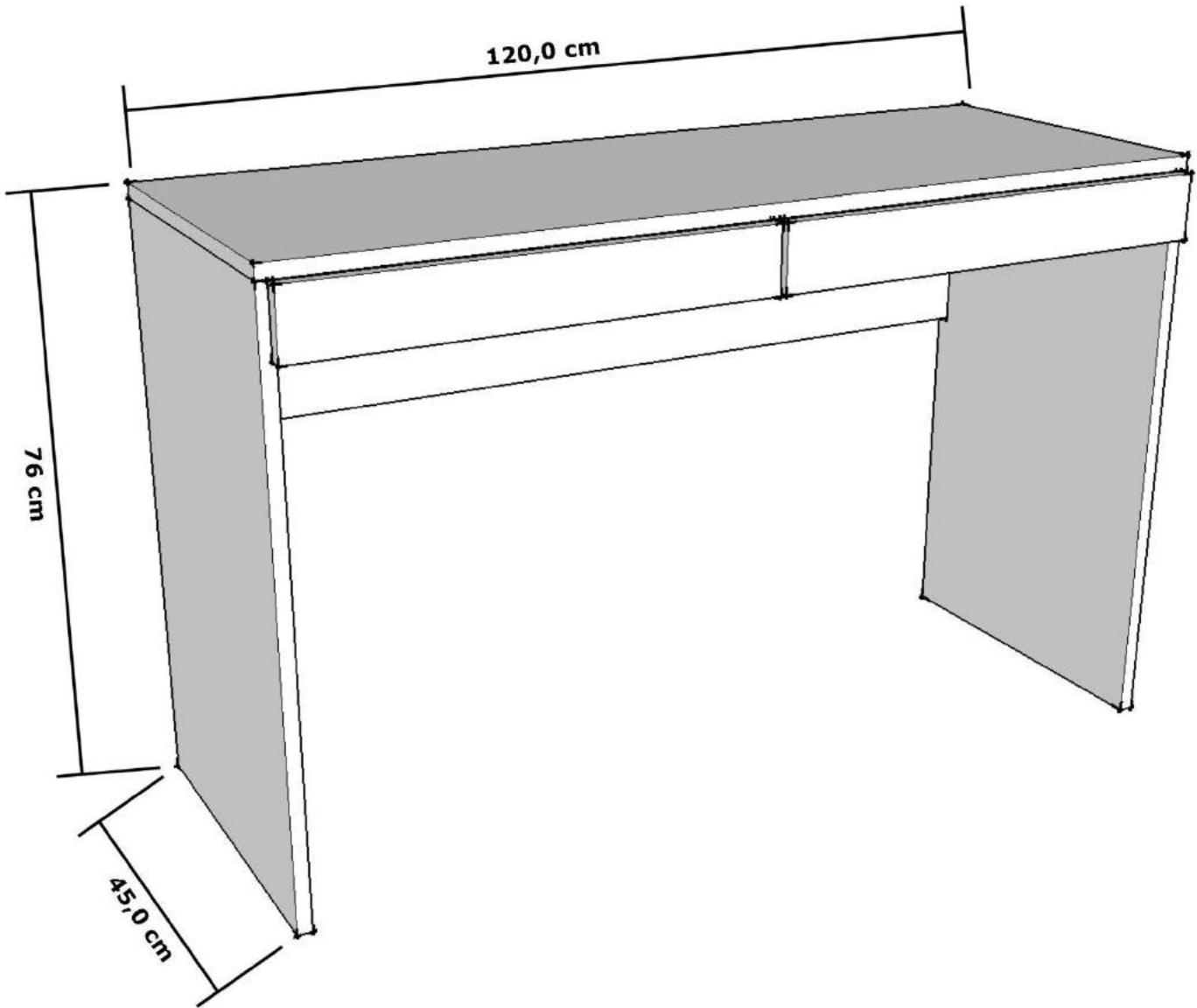
Escritorios y Mesas #28

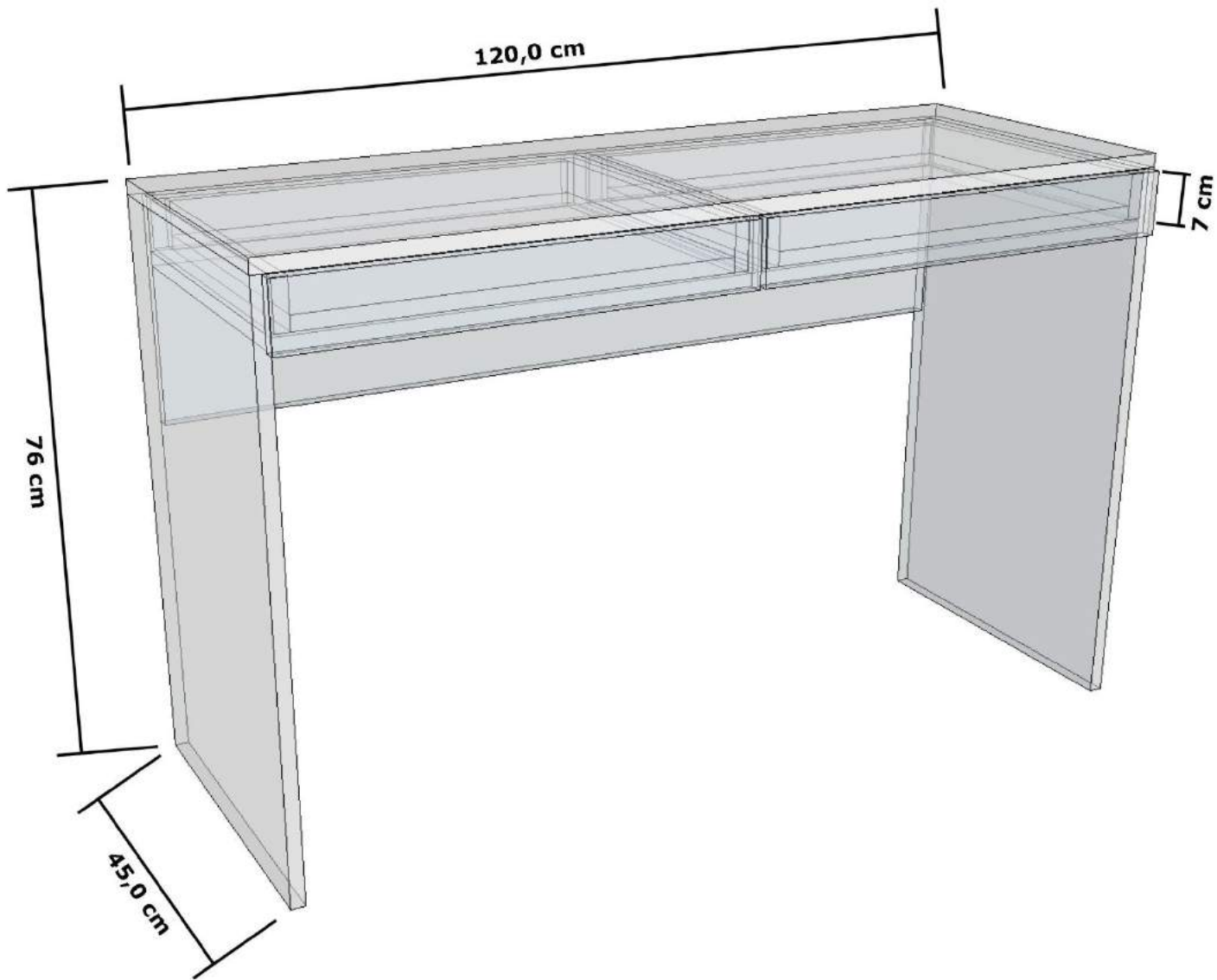




Num	Material	Referencia	Cantidad	Altura (cm)	Anchura (cm)	Espesor (cm)
1	MELA_BL, 1.8	Techo	1	138.0	62.9	1.8
2	MELA_BL, 1.8	Lateral Derecho	1	73.2	62.9	1.8
3	MELA_BL, 1.8	Lateral Izquierdo	1	73.2	62.9	1.8
4	MELA_BL, 1.8	Estante Fijo [1]	1	39.0	62.9	1.8
5	MELA_BL, 1.8	Estante Fijo [2]	1	39.0	62.9	1.8
6	MELA_BL, 1.8	Estante Fijo [3]	1	46.8	62.9	1.8
7	MELA_BL, 1.8	División Libre 1 [1]	1	68.4	39.0	1.8
8	MELA_BL, 1.8	División Libre 1 [2]	1	68.4	39.0	1.8
9	MELA_BL, 1.8	División Libre 1 [3]	1	46.8	14.4	1.8
10	MELA_BL, 1.8	División Vertical [1]	1	73.2	62.9	1.8
11	MELA_BL, 1.8	División Vertical [2]	1	73.2	62.9	1.8
12	MELA_BL, 1.8	Puerta 1 (unica) [1]	1	69.7	42.0	1.8
13	MELA_BL, 1.8	Cajón 1 [1]_1	1	17.2	42.0	1.8
14	MELA_BL, 1.8	Cajón 1 [1]_2	1	17.2	42.0	1.8
15	MELA_BL, 1.8	Cajón 1 [1]_3	1	17.2	42.0	1.8
16	MELA_BL, 1.8	Cajón 1 [1]_4	1	17.2	42.0	1.8
17	MELA_BL, 1.8	Lateral Der Cajón 1 [1]_1	1	59.2	16.6	1.8
18	MELA_BL, 1.8	Lateral Der Cajón 1 [1]_2	1	59.2	16.4	1.8
19	MELA_BL, 1.8	Lateral Der Cajón 1 [1]_3	1	59.2	16.4	1.8
20	MELA_BL, 1.8	Lateral Der Cajón 1 [1]_4	1	59.2	14.9	1.8
21	MELA_BL, 1.8	Lateral Izq Cajón 1 [1]_1	1	59.2	16.6	1.8
22	MELA_BL, 1.8	Lateral Izq Cajón 1 [1]_2	1	59.2	16.4	1.8
23	MELA_BL, 1.8	Lateral Izq Cajón 1 [1]_3	1	59.2	16.4	1.8
24	MELA_BL, 1.8	Lateral Izq Cajón 1 [1]_4	1	59.2	14.9	1.8
25	MELA_BL, 1.8	Fondo Cajón 1 [1]_1	1	57.4	34.8	1.8
26	MELA_BL, 1.8	Fondo Cajón 1 [1]_2	1	57.4	34.8	1.8
27	MELA_BL, 1.8	Fondo Cajón 1 [1]_3	1	57.4	34.8	1.8
28	MELA_BL, 1.8	Fondo Cajón 1 [1]_4	1	57.4	34.8	1.8
29	MELA_BL, 1.8	Trasera Cajón 1 [1]_1	1	34.8	16.6	1.8
30	MELA_BL, 1.8	Trasera Cajón 1 [1]_2	1	34.8	16.4	1.8
31	MELA_BL, 1.8	Trasera Cajón 1 [1]_3	1	34.8	16.4	1.8
32	MELA_BL, 1.8	Trasera Cajón 1 [1]_4	1	34.8	14.9	1.8
33	MELA_BL, 1.8	Contra-Frente Cajón 1 [1]_1	1	38.4	16.6	1.8
34	MELA_BL, 1.8	Contra-Frente Cajón 1 [1]_2	1	38.4	16.4	1.8
35	MELA_BL, 1.8	Contra-Frente Cajón 1 [1]_3	1	38.4	16.4	1.8
36	MELA_BL, 1.8	Contra-Frente Cajón 1 [1]_4	1	38.4	14.9	1.8

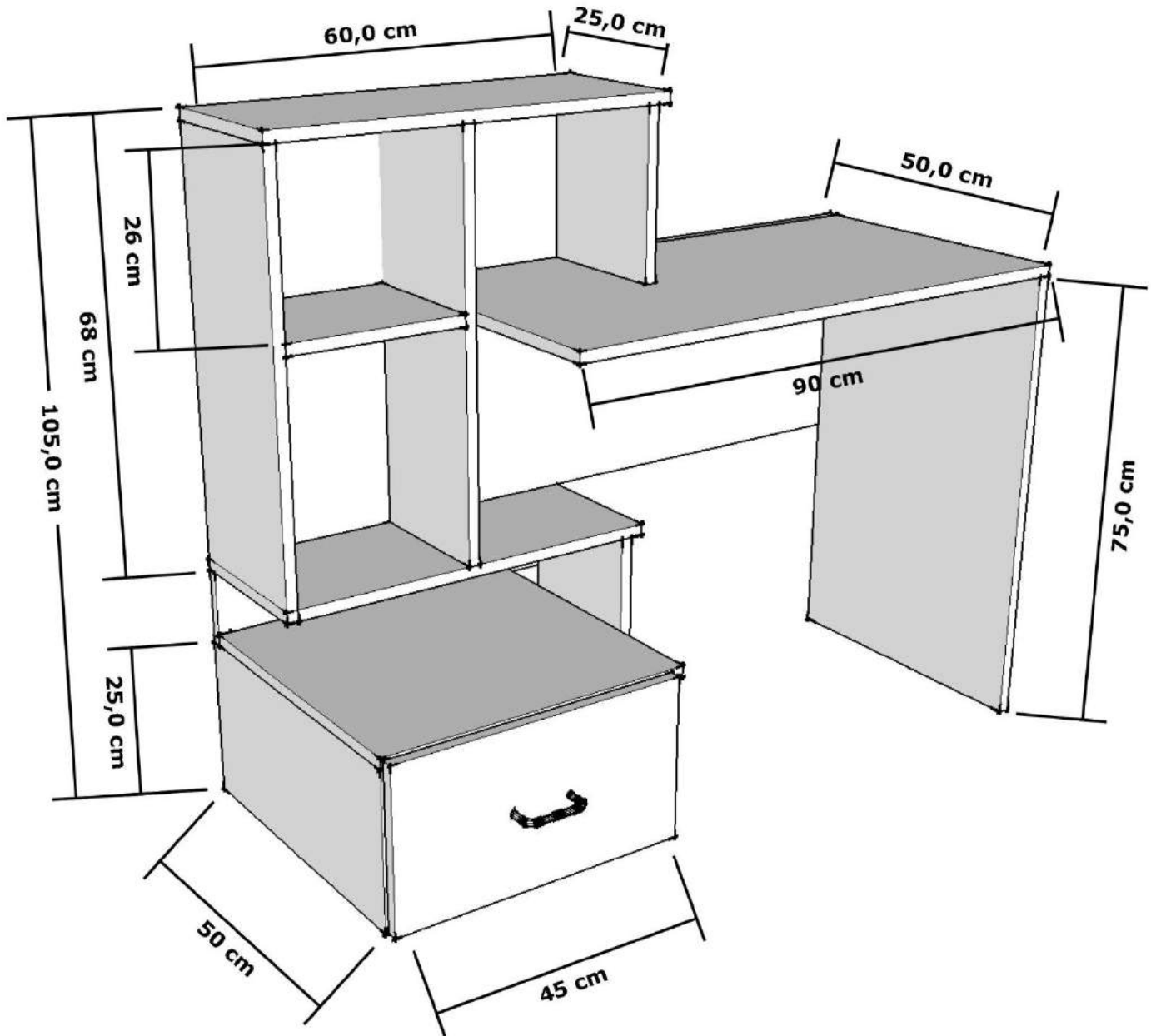
Escritorios y Mesas #29

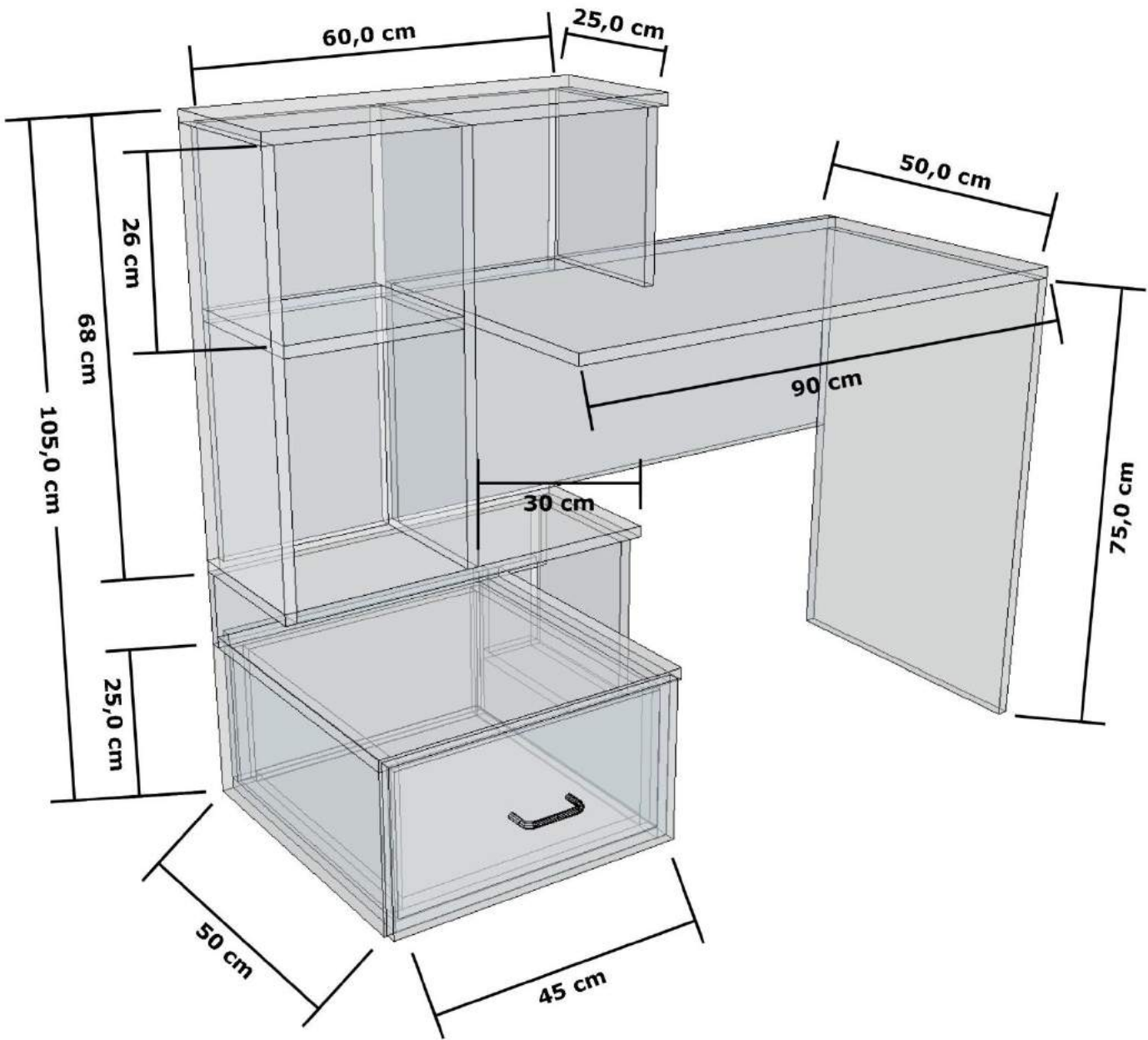




Num	Material	Referencia	Cantidad	Altura (cm)	Anchura (cm)	Espesor (cm)
1	MELA_BL, 1.8	Techo	1	120.0	45.0	1.8
2	MELA_BL, 1.8	Lateral Derecho	1	73.7	45.0	1.8
3	MELA_BL, 1.8	Lateral Izquierdo	1	73.7	45.0	1.8
4	MELA_BL, 1.8	Trasera	1	28.7	116.4	1.8
5	MELA_BL, 1.8	Estante Fijo [1]	1	116.4	43.2	1.8
6	MELA_BL, 1.8	División Vertical [1]	1	6.7	43.2	1.8
7	MELA_BL, 1.8	Cajón 1 [1]	1	8.2	58.2	1.8
8	MELA_BL, 1.8	Cajón 1 [2]	1	8.2	58.7	1.8
9	MELA_BL, 1.8	Lateral Der Cajón 1 [1]	1	43.1	5.9	1.8
10	MELA_BL, 1.8	Lateral Der Cajón 1 [2]	1	43.1	5.9	1.8
11	MELA_BL, 1.8	Lateral Izq Cajón 1 [1]	1	43.1	5.9	1.8
12	MELA_BL, 1.8	Lateral Izq Cajón 1 [2]	1	43.1	5.9	1.8
13	MELA_BL, 1.8	Fondo Cajón 1 [1]	1	53.1	41.3	1.8
14	MELA_BL, 1.8	Fondo Cajón 1 [2]	1	53.1	41.3	1.8
15	MELA_BL, 1.8	Trasera Cajón 1 [1]	1	53.1	5.9	1.8
16	MELA_BL, 1.8	Trasera Cajón 1 [2]	1	53.1	5.9	1.8

Escritorios y Mesas #30





Num	Material	Referencia	Cantidad	Altura (cm)	Anchura (cm)	Espesor (cm)
1	MELA_BL, 1.8	Estante Fijo [1]	1	88.2	48.2	1.8
2	MELA_BL, 1.8	Estante Fijo [2]	1	63.6	25.0	1.8
3	MELA_BL, 1.8	Estante Fijo [3]	1	48.6	48.2	1.8
4	MELA_BL, 1.8	Estante Fijo [4]	1	45.0	50.0	1.8
5	MELA_BL, 1.8	Estante Fijo [5]	1	60.0	25.0	1.8
6	MELA_BL, 1.8	Estante Fijo [6]	1	9.6	25.0	1.8
7	MELA_BL, 1.8	División Libre 1 [1]	1	45.0	25.0	1.8
8	MELA_BL, 1.8	División Libre 1 [2]	1	58.2	11.8	1.8
9	MELA_BL, 1.8	División Libre 1 [3]	1	15.0	9.6	1.8
10	MELA_BL, 1.8	División Libre 1 [4]	1	88.2	38.2	1.8
11	MELA_BL, 1.8	División Libre 1 [5]	1	60.0	28.2	1.8
12	MELA_BL, 1.8	División Libre 1 [6]	1	38.2	28.2	1.8
13	MELA_BL, 1.8	División Vertical [1]	1	75.0	48.2	1.8
14	MELA_BL, 1.8	División Vertical [2]	1	66.4	25.0	1.8
15	MELA_BL, 1.8	División Vertical [3]	1	26.4	25.0	1.8
16	MELA_BL, 1.8	División Vertical [4]	1	25.0	50.0	1.8
17	MELA_BL, 1.8	División Vertical [5]	1	25.0	50.0	1.8
18	MELA_BL, 1.8	División Vertical [6]	1	26.8	25.0	1.8
19	MELA_BL, 1.8	División Vertical [7]	1	64.6	25.0	1.8
20	MELA_BL, 1.8	Cajón 1 [1]	1	26.2	48.0	1.8
21	MELA_BL, 1.8	Lateral Der Cajón 1 [1]	1	46.3	22.4	1.8
22	MELA_BL, 1.8	Lateral Izq Cajón 1 [1]	1	46.3	22.4	1.8
23	MELA_BL, 1.8	Fondo Cajón 1 [1]	1	44.5	40.8	1.8
24	MELA_BL, 1.8	Trasera Cajón 1 [1]	1	40.8	22.4	1.8
25	MELA_BL, 1.8	Contra-Frente Cajón 1 [1]	1	44.4	22.4	1.8