

RVH8205

TOPMOUNT WORKSTATION SINK

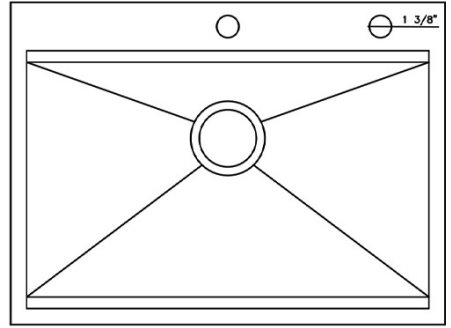
RUVATI[®]
SPECIFICATION SHEET

MATERIAL

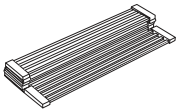
True 16 Gauge Thickness
Premium T304 Grade Stainless Steel
18/10 Chromium/Nickel Content
Commercial Brushed Finish

FEATURES

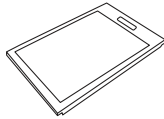
- Heavy duty sound guard padding and undercoating
- Slanted bottom with elegant drain grooves for easy draining
- Single-Tier Ledge for Accessories



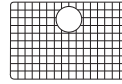
IN THE BOX



Folding Rack
[RVA1391]



Cutting Board
[RVA1211]



Rinse Grid
[RVA68205]



Basket Strainer
[RVA1025]



Mounting Clips
[RVA11042]



Cut-out
Template

NOMINAL DIMENSIONS

Exterior: 25" (wide) x 20" (front-to-back)
Interior Bowl: 23" (wide) x 14-5/8" (front-to-back)
Bowl Depth: 9"
Minimum Cabinet Size: 27" wide
Drain Hole Size: 3-1/2"

Installation Type:
Topmount

Inside Corners:
Zero Radius

Drain Location:
Rear Center

RUVATI USA

www.ruvati.com

Phone: 1.855.478.8284
Email: support@ruvati.com

OPTIONAL ACCESSORIES (SOLD SEPARATELY)

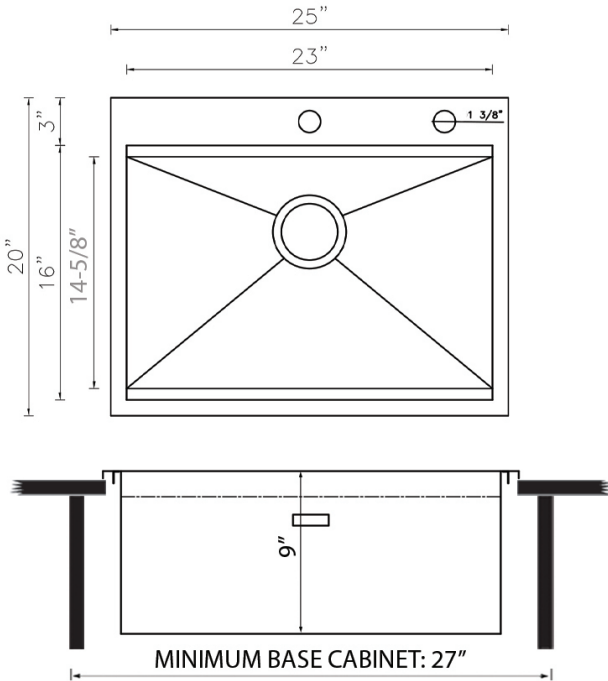


Deep Basket
Disposal Flange
[RVA1049ST]



Drain Cover
[RVA1035]

DIMENSIONS



Register your product at www.ruvati.com/register.