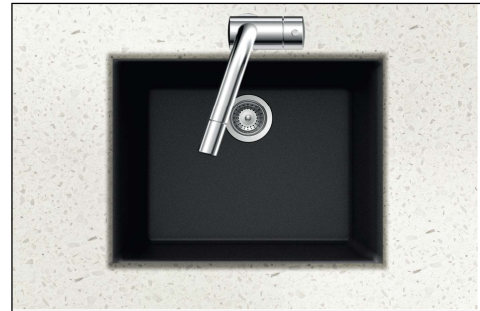


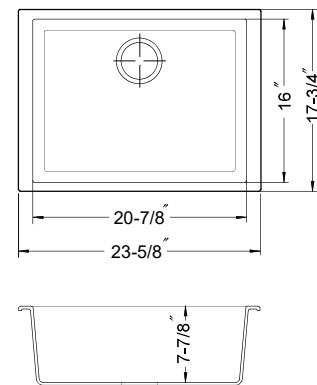
Quartztone® Undermount Single Bowl Model G-100U



G-100U

FEATURES

- 80% quartz and granite
- 7-7/8" depth • Pre-scored up to 5 faucet holes
- Intrinsically hygienic Non-porous surface
- Antibacterial protection with silver ion Microstop®
- Silky to the touch, 3 times harder than natural granite
- Food-safe, UV-stable-will not fade • Color-fast throughout
- Heat resistance to +500°F
- Highest resistance to thermal shock, scratches and chips
- Ariapure® features odor and pollutant disinfection
- Fits 30" sink base
- Supplied with cutout template, fasteners and instructions
- Limited Lifetime Warranty



OPTIONAL COLORS



Midnite
Metallic

Mocha
Solid

Taupe
Structured

Sand
Solid

Cloud
Solid

OVERALL DIMENSIONS	EACH BOWL	CUTOUT SIZE	PACKAGING*	WEIGHT*
23-5/8" x 17-3/4"	20-7/8" x 16"	See Template	1/10 pcs.	35/390lbs.

*Standard packaging: Single boxed /Pallet of single boxed.
All dimensions are in inches. Specifications subject to change without notice.

OPTIONAL ACCESSORIES

Bottom Grid: 629803

Strainer Options: Stainless steel strainers,
Color strainers, Color Disposal flanges

Project/Job name _____

Architect/Engineer _____

Contractor _____

Model _____ Q'ty _____

Notes _____