

RVH8110

TOPMOUNT BAR SINK

RUVATI®

SPECIFICATION SHEET

MATERIAL

- True 16 Gauge Thickness
- Premium T304 Grade Stainless Steel
- Nano-PVD colored finish: easy to clean and long lasting

FEATURES

- Heavy duty sound guard padding and undercoating
- Slanted bottom with elegant drain grooves for easy draining
- Rounded inside corners



COLOR OPTIONS

BL: Black Stainless Steel

GG: Matte Gold Brass Tone

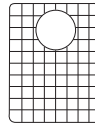
IN THE BOX



Basket Strainer
[RVA1022BL /GG]



Mounting Clips
[RVA11048]



Rinse Grid
[RVA68110]



Cut-out
Template

NOMINAL DIMENSIONS

Exterior: 15" (wide) x 20" (front-to-back)

Interior Bowl: 13" (wide) x 16" (front-to-back)

Bowl Depth: 9"

Minimum Cabinet Size: 18" wide

Drain Hole Size: 3½"

Installation Type:

Topmount

Inside Corners:

Rounded

Drain Location:

Rear Center

RUVATI USA

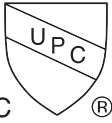
www.ruvati.com

Phone: 1.855.478.8284
Email: support@ruvati.com

OPTIONAL ACCESSORIES (SOLD SEPARATELY)

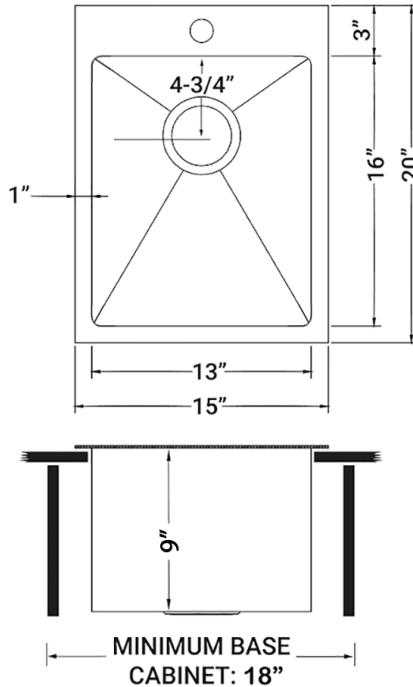


Garbage
Disposal Flange
[RVA1041BL /GG]



cUPC certified by IAPMO to meet US and Canada plumbing standards.
Codes compliance: ASME A112.19.3/CSA B45.4

DIMENSIONS



Register your product at www.ruvati.com/register.