

# RVB6723

## FREESTANDING BATH TUB

**RUVATI**<sup>®</sup>  
SPECIFICATION SHEET

### MATERIAL

- **EPISTONE:** High-quality innovative composite material that produces a hard surface and requires little maintenance.

### FEATURES

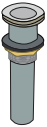
- **SATIN MATTE POWDER FINISH:** Natural beauty similar to stone and silky to the touch.
- **OVAL SHAPE:** For maximum comfort and easy cleaning.



### COLOR OPTIONS

**GW:** Matte Gold

### IN THE BOX



Popup Drain  
[RVA6104GW]

### NOMINAL DIMENSIONS

**Length:** 63"

**Width:** 27-5/8"

**Height:** 22-7/8"

**Drain Hole Size:** 3-1/4"

**Installation Type:**

Freestanding

**Drain Location:**

Center

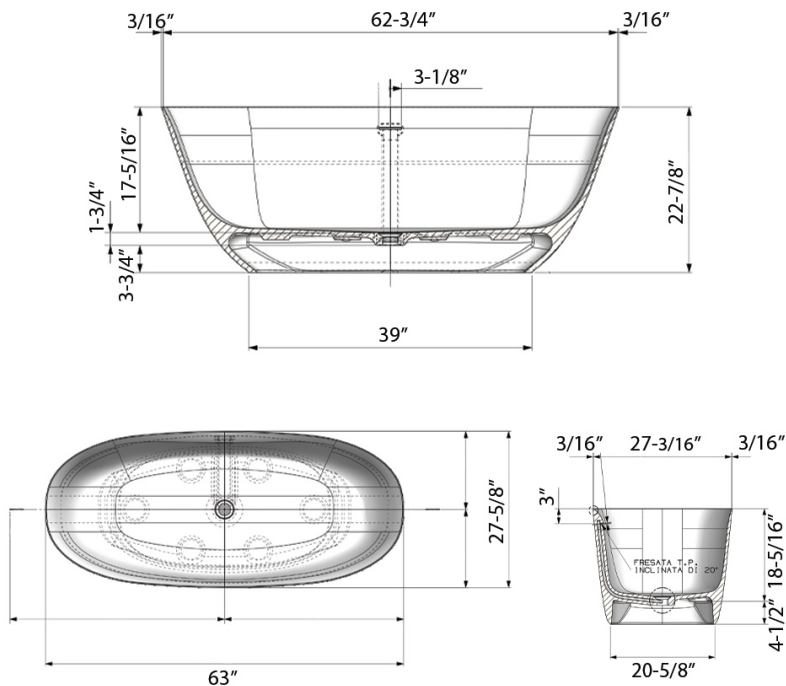
**RUVATI USA**  
www.ruvati.com

Phone: 1.855.478.8284  
Email: support@ruvati.com



uPC certified by IAPMO to meet US and Canada plumbing standards.  
Codes compliance: ASME A112.19.3/CSA B45.4

## DIMENSIONS



Register your product at [www.ruvati.com/register](http://www.ruvati.com/register).

**RUVATI USA**  
[www.ruvati.com](http://www.ruvati.com)

Phone: 1.855.478.8284  
Email: [support@ruvati.com](mailto:support@ruvati.com)