

Brightwork Collection

Dualmount Hammered Bar Sink
Stainless Steel Satin Matte Finish

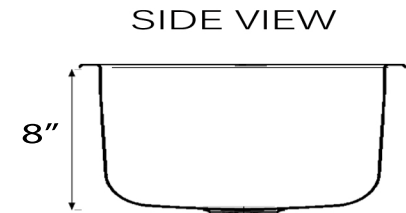
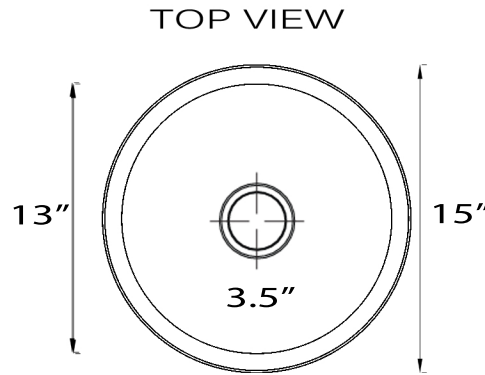
model:

RS15-SSMF



Nantucket
S I N K S

www.NantucketSinksUSA.com
info@nantucketsinksusa.com



Overall Dimensions	Interior Bowl	Drain Opening	Overflow	Drain position
15" Diameter	13" Diameter	3.5"	No	Center

FEATURES:

- 18 Gauge Stainless Steel
- 3.5" Drain Diameter Opening (drain not included)
- Can be overmounted or undermounted
- Special Care Required
- Hand Hammered - variations will exist

**Nominal Dimensions - Actual May Vary by up to .25"

Project Name: _____

Architect / Contractor: _____

Job Notes: _____
