

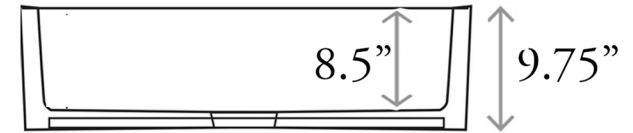
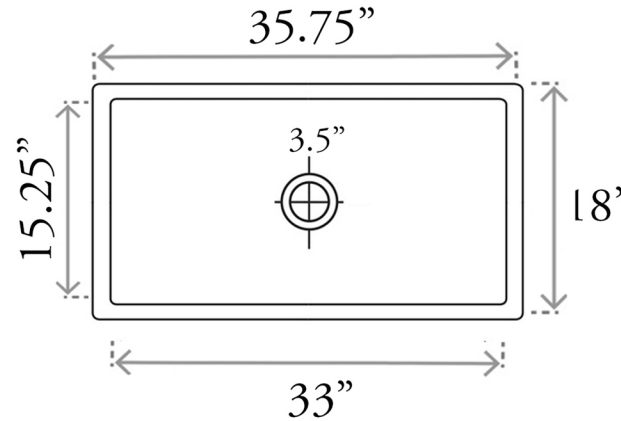
Island Collection

Single Bowl Fireclay Apron Farmsink

model: ISFCW36X18SO



www.NantucketSinksUSA.com
info@nantucketsinksusa.com



OVERALL DIMENSIONS	INTERIOR BOWL	EXTERIOR HEIGHT	BOWL DEPTH	DRAIN OPENINGS
35.75" x 18"	33" x 15.25"	9.75"	8.5"	3.5"

FEATURES:

- Premium Fireclay Sink
- Reversible Design made in Italy
- Drain not included with sink
- Material is sound absorbing and stain-resistant
- Non-porous surface is scratch resistant
- Nominal dimensions - may vary by .25"
- Due to sink thickness - may require an extended flange
- Requires Apron style base cabinet (recommended 40" min.)

Project Name: _____

Architect / Contractor: _____

Job Notes: _____
