

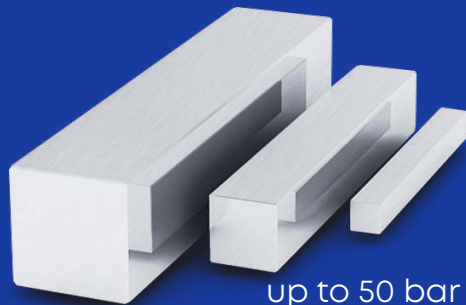
**ZIFTEC –**

designs and manufactures top quality solenoid valves for all media. In addition to standard products, there are special programs at the request of the client.



HOCHWERTIGE MATERIALIEN FÜR ALLE ARTEN VON UMGEBUNGEN

Aluminum



up to 50 bar
 $t^{\circ} -40^{\circ} / +80^{\circ}$

Brass



up to 80 bar
 $t^{\circ} -150^{\circ} / +150^{\circ}$

Steel V2A, V4A



up to 350 bar
 $t^{\circ} -150^{\circ} / +150^{\circ}$

4 LONG VALVE LIFE

more than 100 million
circuits



5 SUPPORTED PRESSURE

up to 350 bar



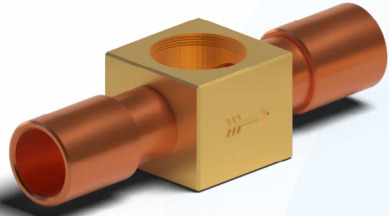
6 **WORKING TEMPERATURE**

-195° to +150°



CHARACTERISTICS

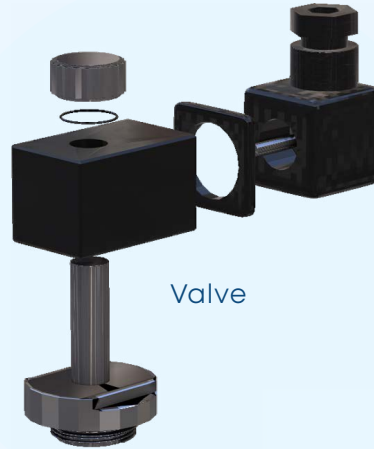
7 MODULAR FOR ALL TYPES OF CONNECTIONS



Soldering for Copper branch pipe



External thread with sealing ring



Valve



Internal thread



Soldering - welding branch pipes



Flaring



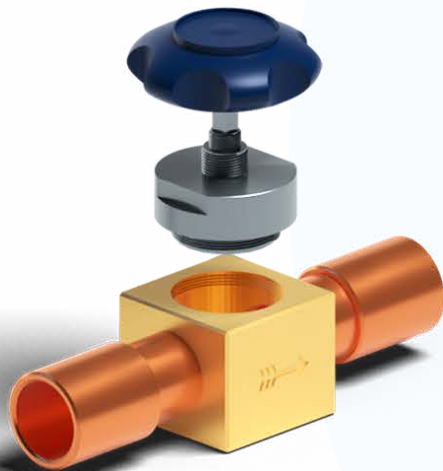
Cast in one piece framework

OUR ACCESSORIES ARE SUITABLE FOR ALL TYPES OF CONNECTIONS

shut-off valve



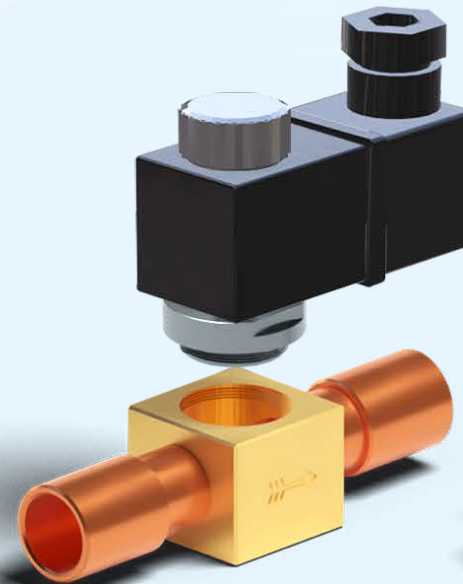
manual shut-off valve



check valve



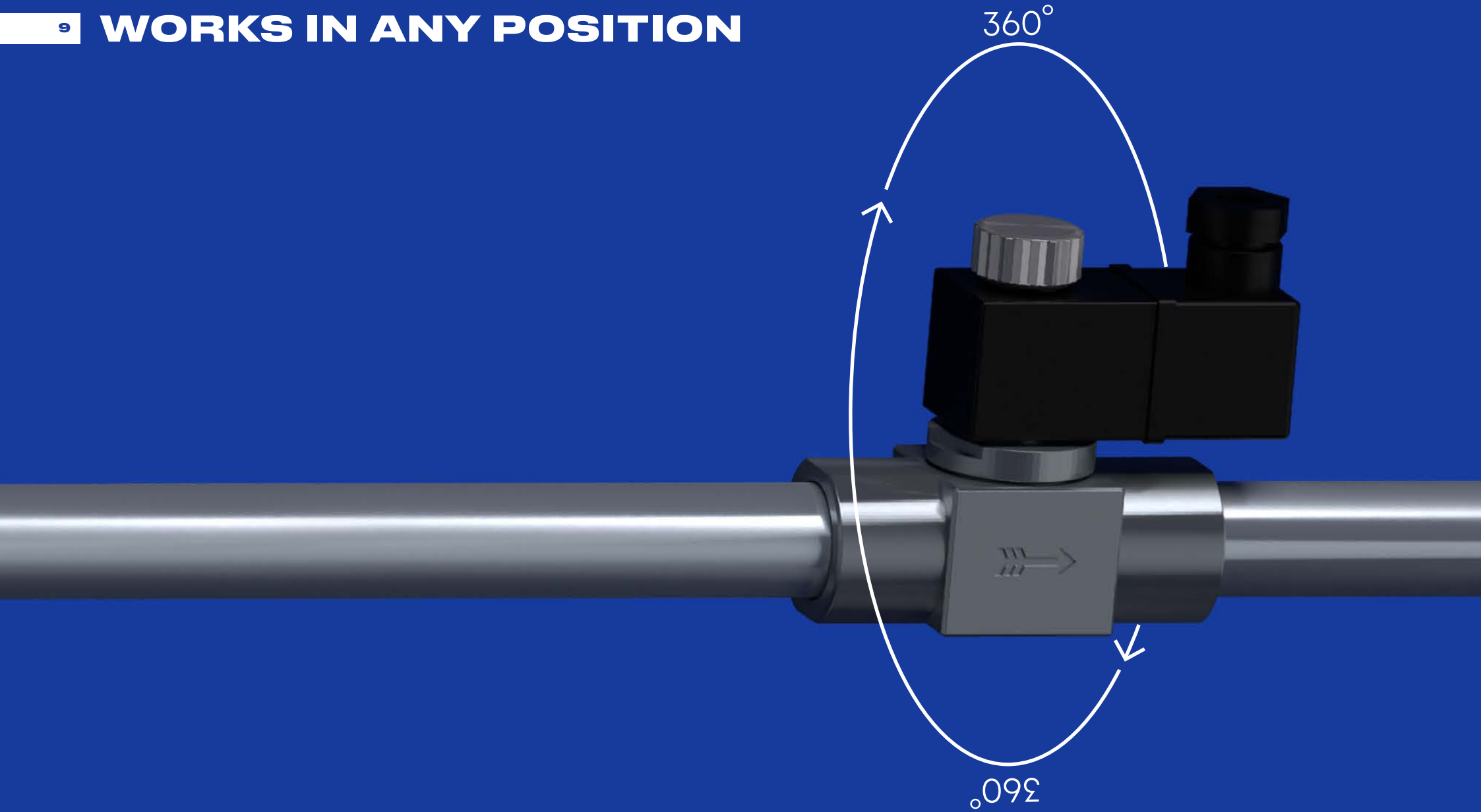
2/2-way solenoid valve



sight glass



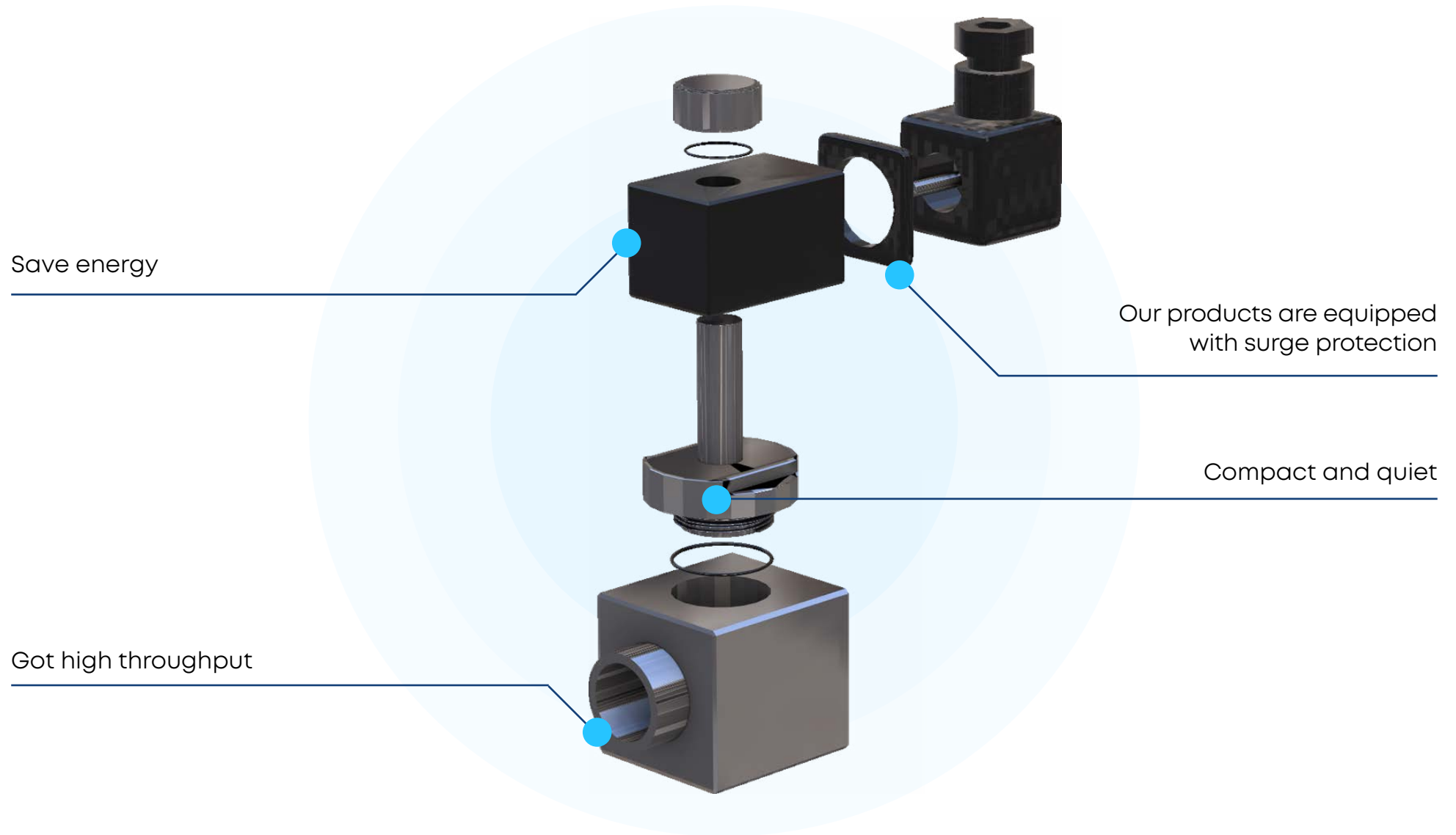
9 **WORKS IN ANY POSITION**



THE MOST COMPACT ON THE MARKET



SIMPLE AND EASY TO ASSEMBLE



SERIES VA

Case Material: Aluminum Alloy, Brass, V2A and V4A Steel

Enclosure Rating: IP65

Seal Material: PTFE

Internal details: stainless steel

Life cycle: min. 100 million cycles



Connection Ø(mm)	Pressure (bar)	Throughput (kv)	Weight (kg)	Media temperature (C°)
6	from 0 to 50	0,3	0,20	-40° to +150°
10	from 0 to 50	0,4	0,24	-40° to +150°

SERIES VB

Case Material: Aluminum Alloy, Brass, V2A and V4A Steel

Enclosure Rating: IP65

Seal Material: PTFE

Internal details: stainless steel

Life cycle: min. 100 million cycles



Connection Ø(mm)	Pressure (bar)	Throughput (kv)	Weight (kg)	Media temperature (C°)
6	from 0,05 to 50	0,3	0,3	-40° to +150°
10	from 0,05 to 50	0,9	0,32	-40° to +150°
12	from 0,05 to 50	1,9	0,34	-40° to +150°
16	from 0,05 to 50	2,4	0,36	-40° to +150°
22	from 0,05 to 50	2,8	0,41	-40° to +150°

SERIES VC

Case Material: Aluminum Alloy, Brass, V2A and V4A Steel

Enclosure Rating: IP65

Seal Material: PTFE

Internal details: stainless steel

Life cycle: min. 100 million cycles



Connection Ø(mm)	Pressure (bar)	Throughput (kv)	Weight (kg)	Media temperature (C°)
16	from 0,1 to 50	4,5	0,65	-40° to +150°
22	from 0,1 to 50	5,5	0,7	-40° to +150°
28	from 0,1 to 50	6,5	0,75	-40° to +150°

SERIES VD

Case Material: Aluminum Alloy, Brass, V2A and V4A Steel

Enclosure Rating: IP65

Seal Material: PTFE

Internal details: stainless steel

Life cycle: min. 100 million cycles



Connection Ø(mm)	Pressure (bar)	Throughput (kv)	Weight (kg)	Media temperature (C°)
28	from 0,2 to 50	12	0,95	-40° to +150°
35	from 0,2 to 50	13	1,1	-40° to +150°
42	from 0,2 to 50	14	1,25	-40° to +150°

WE CHANGE MARKETS

- All direct operated valves (from 0 without ΔP)
- Micro valve designed for high pressure (from 0 to 80 bar)
- Manual shut-off and throttle valve
- Valve at high pressure (0 to 350 bar)
- Valve for CO₂
- Clocked valve instead of expansion valve

WIDE RANGE OF APPLICATIONS OF OUR EQUIPMENT



Extraction and processing of natural gas



Extraction and processing of oil



Car washes



Shipbuilding



Machine tool industry



Woodworking industry



Climatic, refrigeration and freezing equipment



Pneumatic and hydraulic installations



Food industry: dosing automated filling



Medical industry: production of medicines

WIDE RANGE OF APPLICATIONS OF OUR EQUIPMENT



Firefighting



Agriculture: microclimate in greenhouses



Melioration and irrigation of fields



Fogging



Moisturizing



Cryolaboratories



Special effects



Textile industry

HIGH PRESSURE VALVE WITH BACK PRESSURE RELIEF

Specifications:

Material: steel
Pressure: 0-350 bar
Temperature: -195° to +150°
Coil Power: 6 W
Kit Weight: 155g
Dimensions: height 70 mm / length 50 mm / width 30 mm

Benefits:

- collapsible
- compact
- accurate
- universal
- durable
- silent

Designed to perform tasks in high pressure environments.



MANUAL SHUT-OFF AND THROTTLE VALVE

Specifications:

Material: Brass, Steel
Pressure: 0-350 bar
Temperature: -150° to + 150°
At all kinds of series A, B, C, D

Works in 3 variants:

- Input pressure can be connected from both sides
- Close, open and any opening
- Actuation mechanism without height change

Benefits:

- collapsible
- compact
- silent
- durable



CLOCKED VALVE

Specifications:

Material: Brass

Pressure: 0–80 bar

Coil Power : 6 W

Temperature: -100° to + 150°

Mediums: liquids, gases, aggressive, non-aggressive

Benefits:

- collapsible
- compact
- accurate
- universal
- durable
- silent

Replaces conventional expansion valve (thermostatic expansion valve). It has the same same construction as the solenoid valve, but has a lot of resources.

Valve operation is based on the principle of pulsating modulation. Refers to automatic installation controls.



MICRO VALVE

Specifications:

Material: Brass, Steel

Pressure: 0–80 bar

Nominal size : diameter 5 mm

Coil Power : 2.5 W

Temperature: -150° to + 150°

Wednesday: any

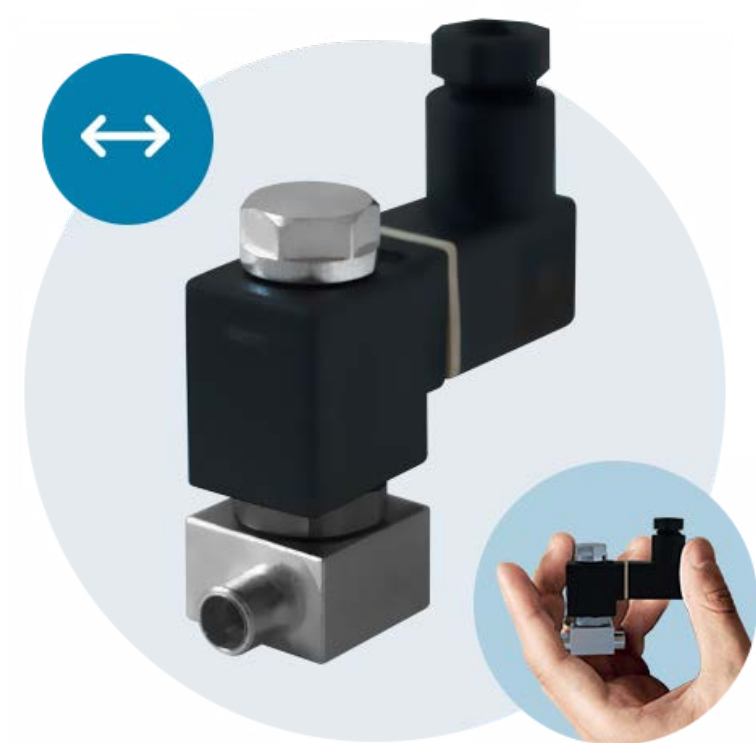
Kit- Weight: 90g

Kit includes: valve, housing, magnet, plug

Benefits:

- collapsible
- compact
- silent
- universal
- durable

Smallest solenoid valve in the world



REINFORCED VALVE

Eigenschaften:

Material: Messing, Stahl

Druck: 0-350 bar

Temperatur: -195° bis + 150°

Kit-Gewicht: 300g

Abmessungen: Höhe 32 mm / Länge 17 mm / Breite 30 mm

Vorteile:

- Modular
- kompakt
- genau
- universell
- langlebig

Designed to perform tasks in low temperature and contaminated environments, different from the standard with a more powerful coil.



Compact

The smallest valve on the market



Economical

Low energy consumption
2.5 to 10 W



Universal

Designed for all installation environments and methods



Durable

100 million circuits



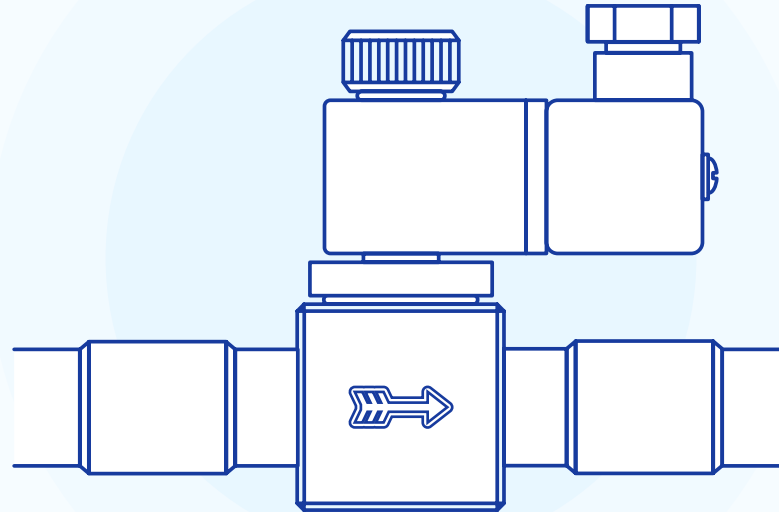
Silent

Almost noiseless switching



Plain

Easy installation, and interchangeability



HAVE QUESTIONS? WE`RE HERE TO HELP!

OUR ADDRESS:

191119, St. Petersburg,
Dnepropetrovskaya st., 43,
lit. Ah, pom. 1-N, office №1

CEO:

Arsentiev Valery Vladimirovich
+7 (812) 509-30-34

FOR ALL QUESTIONS:

from 09:30 to 18:30
info@ziftec.ru

