

RVL2100

FIRECLAY FARMHOUSE SINK

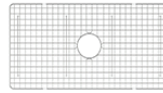
RUVATI[®]
SPECIFICATION SHEET

MATERIAL

- True Italian Fireclay - Made in ITALY.
- 1-inch thick solid fireclay.
- Fired at 2900F for extreme strength.

FEATURES

- Large deep bowl.
- Rounded inside corners.
- Glossy enamel surface resistant to stains and scratches.



COLOR OPTIONS

BK: Glossy Black

GR: Horizon Gray

EG: Emerald Green

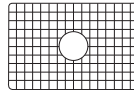
BS: Biscuit

WH: White

IN THE BOX



Basket Strainer
[RVA1039ST]



Rinse Grid
[RVA621009]

NOMINAL DIMENSIONS

Exterior: 30" (wide) x 20" (front-to-back)

Interior Bowl: 28" (wide) x 18" (front-to-back)

Bowl Depth: 9"

Minimum Cabinet Size: 33" wide

Drain Hole Size: 3½"

Installation Type:
Farmhouse

Inside Corners:
Rounded

Drain Location:
Center

RUVATI USA
www.ruvati.com

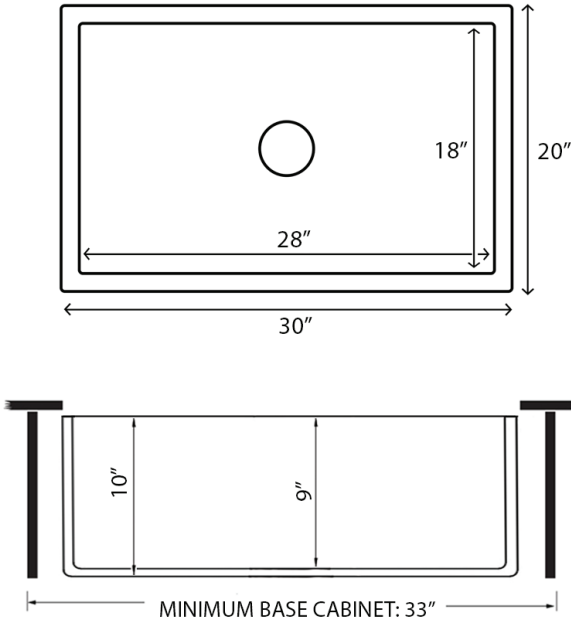
Phone: 1.855.478.8284
Email: support@ruvati.com

OPTIONAL ACCESSORIES (SOLD SEPARATELY)



Deep Basket
Disposal Flange
[RVA1049ST]

DIMENSIONS



NOTE: Dimensions provided as a guide only. Use actual sink for cutout measurements.

Register your product at www.ruvati.com/register.