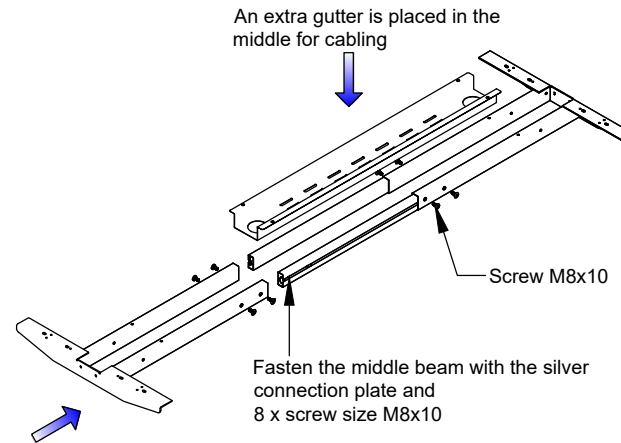
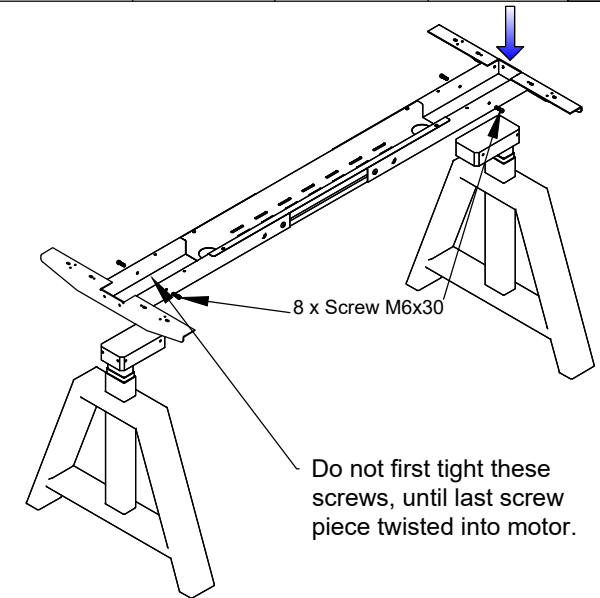
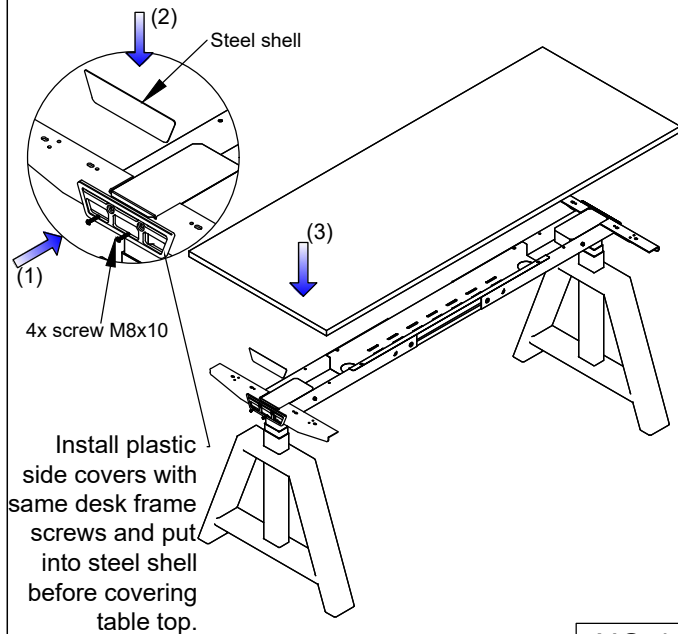
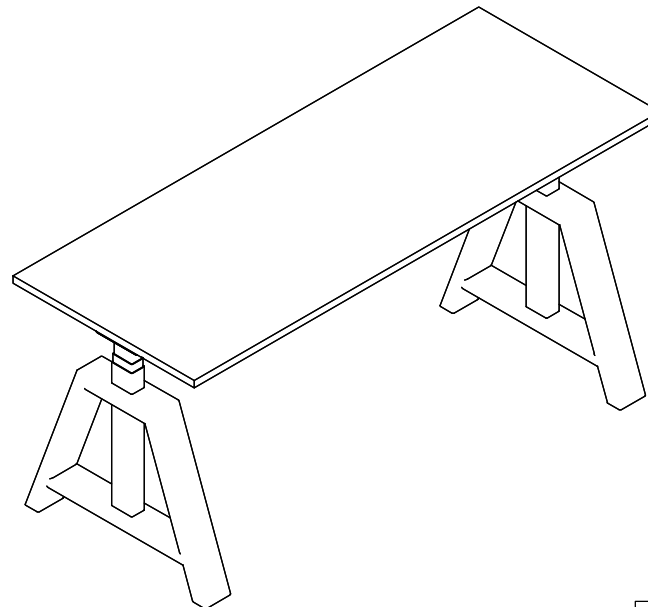

**NO.1**

**NO.2**

**NO.3**

**NO.4**

**NO.5**

Nr.	Name		Quantity
1	Screw M6x30		8
2	Silver connection plate		4
3	Screw M8x10		8
4	Screw M6x30		8
5	Steel shell		2
6	Plastic cover		2
7	Screw M8x10		4
8	Worktop screws		6