

SANSONE 25 BENCH PASTRY SHEETER

40080052



Main Features

- Vertical construction that reduces the space taken up on the working counter and facilitates gripping of dough at the outfeed
- Built out of stainless steel
- Ventilated motor in non-stop operating mode with dual reduction
- Coaxial reduction gear + belt transmission
- Adjustable dough thickness 0-10mm
- Infeed area protected with safety microswitch
- Wide chute for dough infeed, easy to remove
- Stainless steel hand protection removable for cleaning
- Perfect also to laminate pizza



Optional pasta cutter

SPECIFICATIONS

Voltage	220 -240 Volts
Power	270 Watts, 0.37 HP, Single Phase
Weight	47 kg
Roller Dimension	250 mm
Roller Size	Ø 60 x 250mm
Plug Supplied	Yes, 10 amp
Warranty	4 Year Warranty (2 yr Labour 4 yr Parts)

ACCESSORIES

40107020	2mm Pasta/Product Cutter
40107040	4mm Pasta/Product Cutter
40107060	6mm Pasta/Product Cutter
40107080	8mm Pasta/Product Cutter
40107120	12mm Pasta/Product Cutter

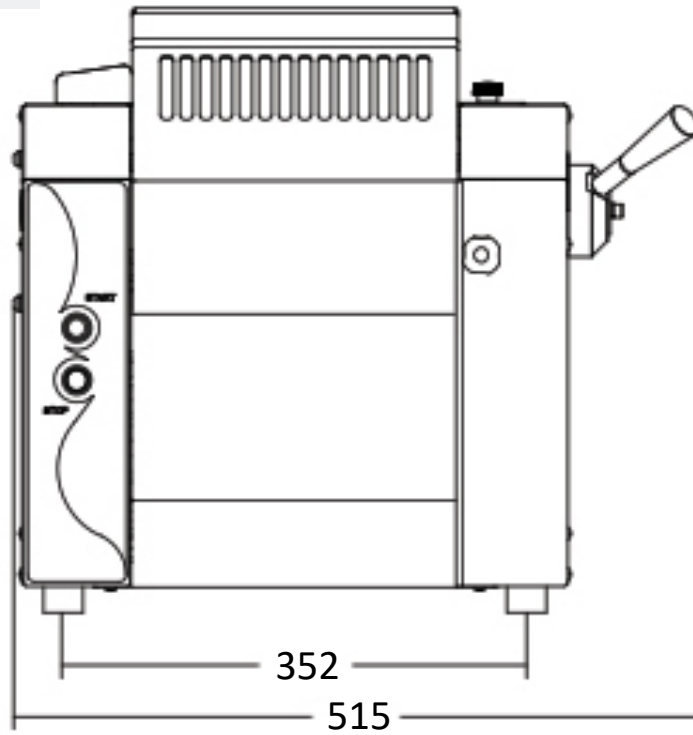
DIMENSIONS

External Width	515mm
External Depth	322mm
External Height	450mm

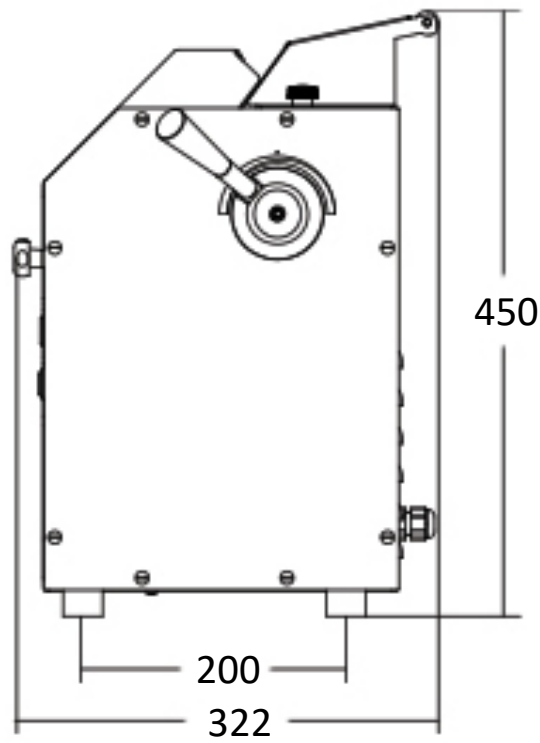


Phone: 1800 183 818 Email: support@thegoodlady.com.au
Website: www.thegoodlady.com.au

SIDE



SIDE



We reserve the right to alter specifications without notice.



Phone: 1800 183 818 Email: support@thegoodlady.com.au
Website: www.thegoodlady.com.au