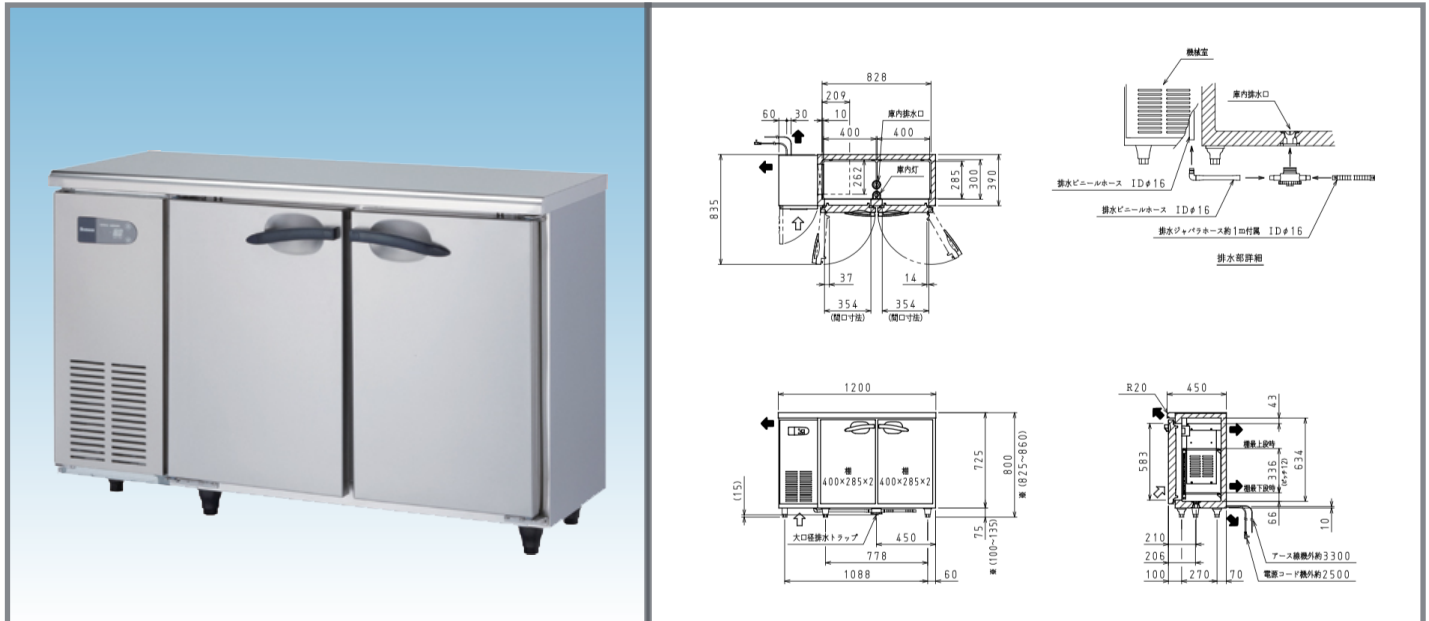
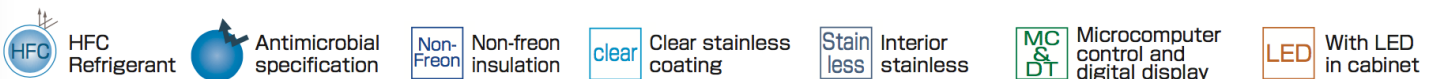


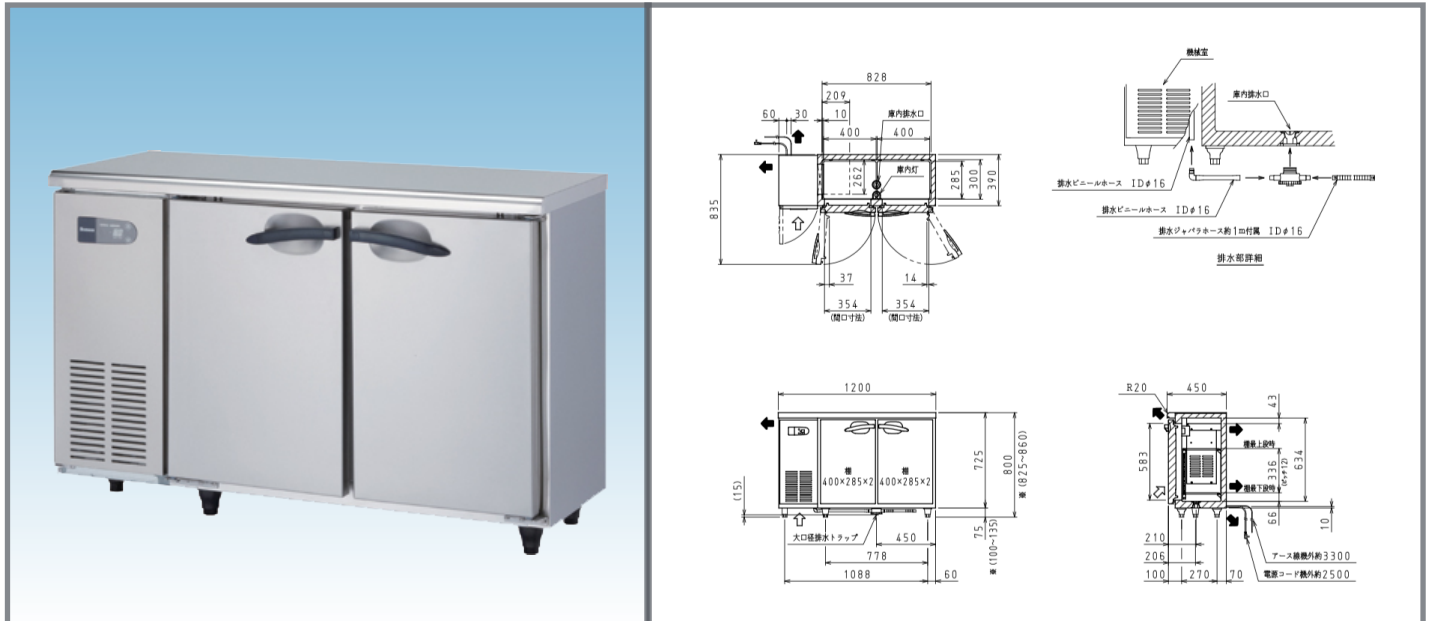
STAINLESS STEEL UNDERCOUNTER



MODEL	Volume (L)	Temperature	Dimension (mm)	Refrigerant	Power
4841CD (CHILLER)	184	-5°C ~ 10°C	W1200 x D450 x 800H	R134a	Cooling: 100V / 152W (50/60Hz) Defrosting: 100V / 248W (50/60Hz)
5841CD (CHILLER)	230	-5°C ~ 10°C	W1500 x D450 x 800H	R134a	Cooling: 100V / 154W (50/60Hz) Defrosting: 100V / 260W (50/60Hz)
4161HC-A (CHILLER)	188	-5°C ~ 10°C	W1200 x D600 x 800H	R134a	Cooling: 100V / 150W (50/60Hz)
5861CD-NP (CHILLER)	330	-5°C ~ 10°C	W1500 x D600 x 800H	R134a	Cooling: 100V / 150W (50/60Hz) Defrosting: 100V / 401W (50/60Hz)



STAINLESS STEEL UNDERCOUNTER



MODEL	Volume (L)	Temperature	Dimension (mm)	Refrigerant	Power
4971CD (CHILLER)	325	-6°C ~ 12°C	W1200 x D750 x 800H	R134a	Cooling: 100V / 203W (50/60Hz) Defrosting: 100V / 185W (50/60Hz)
5841CD-NP (CHILLER)	434	-6°C ~ 12°C	W1500 x D750 x 800H	R134a	Cooling: 100V / 195W (50/60Hz) Defrosting: 100V / 175W (50/60Hz)

