



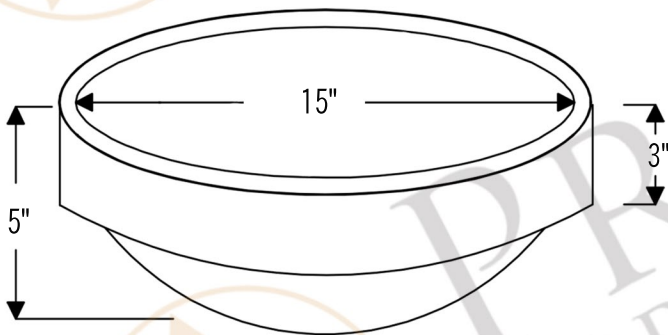
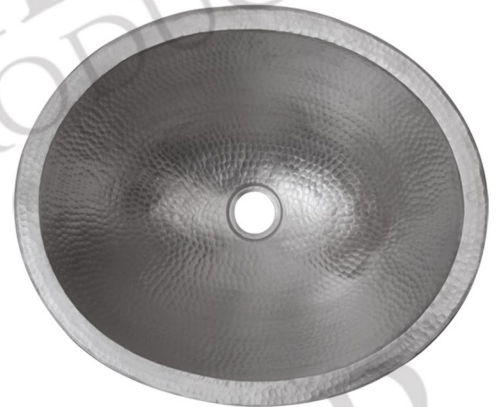
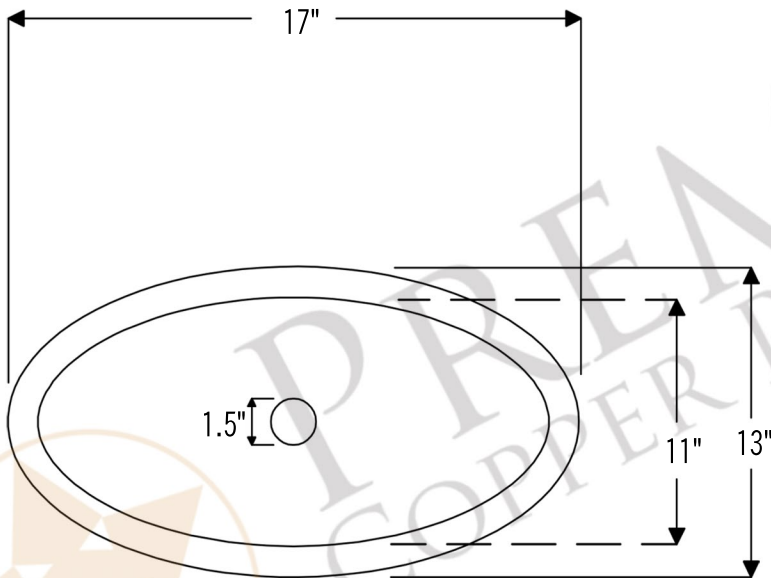
PREMIER  
COPPER PRODUCTS

MODEL NUMBER: BSP5\_V017SKEN-P

- \* Description: Compact Oval Skirted Vessel Hammered Copper Sink
- \* Outer Dimension: 17" x 13" x 5"
- \* Inner Dimension: 15" x 11"
- \* Skirt: 3"
- \* Drain Opening: 1.5"
- \* Finish: Nickel

CODE/STANDARD COMPLIANCE

\* IAPMO/cUPC LISTED



THIS PRODUCT IS HAND CRAFTED, SMALL VARIANCES IN COLOR AND SIZE MAY OCCUR.  
DO NOT MAKE ANY INSTALLATION CUTS UNTIL YOU RECEIVE YOUR ITEM(S).

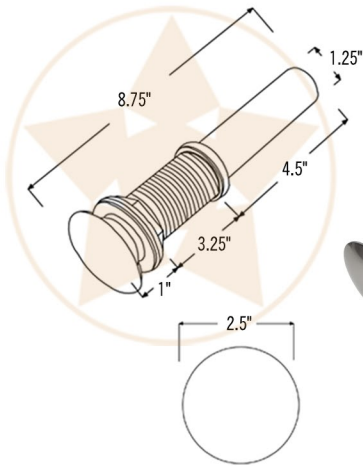
## PACKAGE INCLUDES THE FOLLOWING ACCESSORIES:

- \* 1.5" Non-Overflow Pop-Up Bathroom Sink Drain / BN Finish (Model# D-208BN)
- \* Copper Sink Wax (Model# W900-WAX)

\* BN: Brushed Nickel

### DRAIN DETAILS (Model# D-208BN)

- \* Description: 1.5" Non-Overflow Pop-Up Bathroom Sink Drain
- \* Design: Push Up Top
- \* Upper Flange Dimension: 2"
- \* Material: Solid Brass
- \* Prop 65 Compliant



### WAX DETAILS (Model# W900-WAX)

- \* Description: Copper Sink Wax Protectant
- \* Made From Natural Bee's Wax
- \* No Wax Build Up Ever!
- \* Hard Water Protection
- \* Works Great on a Variety of Different Surfaces:

<i>Copper Sinks &amp; Tubs</i>	<i>Kitchen Cabinets</i>
<i>Marble</i>	<i>Faucets</i>
<i>Granite</i>	<i>Wrought Iron</i>
<i>Countertops</i>	<i>Glass</i>
<i>Door Knobs</i>	<i>Aluminum</i>
<i>Shower Glass</i>	<i>Chrome</i>
<i>Mirrors</i>	<i>Appliances</i>
<i>Fine Furniture</i>	<i>Leather</i>

