

# RVL2100

FIRECLAY FARMHOUSE SINK

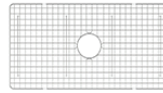
**RUVATI**<sup>®</sup>  
SPECIFICATION SHEET

## MATERIAL

- True Italian Fireclay - Made in ITALY.
- 1-inch thick solid fireclay.
- Fired at 2900F for extreme strength.

## FEATURES

- Large deep bowl.
- Rounded inside corners.
- Glossy enamel surface resistant to stains and scratches.



## COLOR OPTIONS

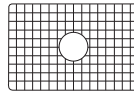
BL: Glossy Black  
GR: Horizon Gray

BS: Biscuit  
WH: Glossy White

## IN THE BOX



Basket Strainer  
[RVA1039ST]



Rinse Grid  
[RVA621009]

## NOMINAL DIMENSIONS

Exterior: 30" (wide) x 20" (front-to-back)  
Interior Bowl: 28" (wide) x 18" (front-to-back)  
Bowl Depth: 9"  
Minimum Cabinet Size: 33" wide  
Drain Hole Size: 3½"

Installation Type:  
Farmhouse  
Inside Corners:  
Rounded  
Drain Location:  
Center

**RUVATI USA**  
www.ruvati.com

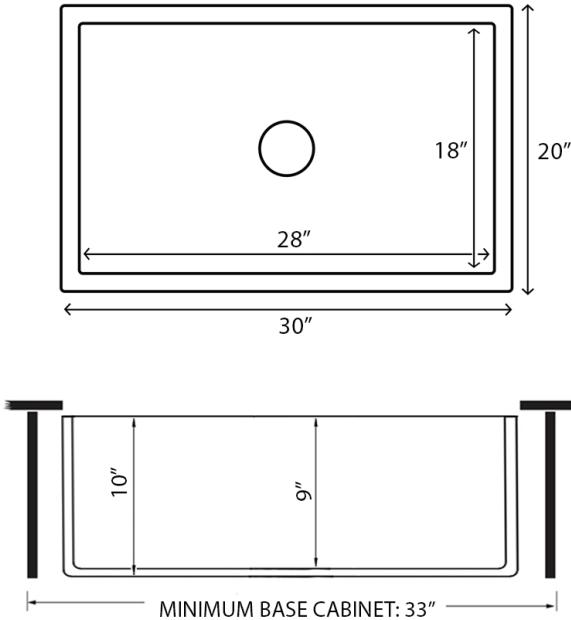
Phone: 1.855.478.8284  
Email: support@ruvati.com

# OPTIONAL ACCESSORIES (SOLD SEPARATELY)



Deep Basket  
Disposal Flange  
[RVA1049ST]

## DIMENSIONS



NOTE: Dimensions provided as a guide only. Use actual sink for cutout measurements.

**Register your product at [www.ruvati.com/register](http://www.ruvati.com/register).**