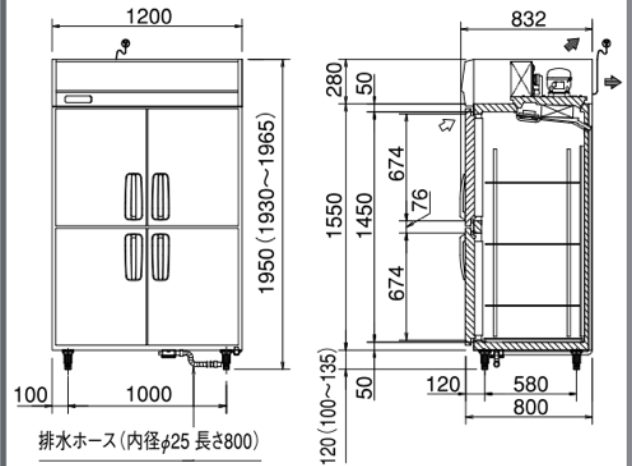




# Panasonic

## BUSINESS

### Refrigerator and Freezer STAINLESS STEEL UPRIGHT



Model	Temperature	Dimension	Volume	Weight	Refrigerant	Power
<b>SRR-K1261S</b> (CHILLER)	-6°C ~ +12°C	Ext: W1200xD650xH1950 Int: W1100xD550xH1450	848 L	112kg	R134a	<b>Cooling:</b> 100V / 184/184W (50/60Hz) <b>Defrosting:</b> 100V / 329/329W (50/60Hz)
<b>SRF-K1261S</b> (FREEZER)	-25°C ~ -15°C	Ext: W1200xD650xH1950 Int: W1100xD550xH1450	842 L	120kg	R404A	<b>Cooling:</b> 100V / 388/388W (50/60Hz) <b>Defrosting:</b> 100V / 564/564W (50/60Hz)
<b>SRR-K1281S</b> (CHILLER)	-6°C ~ +12°C	Ext: W1200xD800xH1950 Int: W1100xD700xH1450	1087 L	123kg	R134a	<b>Cooling:</b> 100V / 184/184W (50/60Hz) <b>Defrosting:</b> 100V / 329/329W (50/60Hz)
<b>SRF-K1281S</b> (FREEZER)	-25°C ~ -15°C	Ext: W1200xD800xH1950 Int: W1100xD700xH1450	1081 L	131kg	R404A	<b>Cooling:</b> 100V / 388/388W (50/60Hz) <b>Defrosting:</b> 100V / 564/564W (50/60Hz)

#### High energy saving performance

- Inverter compressor
- Automatic frame heater duty optimization
- Automatic condensing fan speed control

ECONAVI

