

## Main Features

- Advanced visual control panel offers complete customization and versatility of all baking parameters including auto-pilot start up mode, exhaust discharge adjustments, 9 baking programs & top and bottom heating control
- Quickly reaches working temperature of 300°C in less than 30 minutes and 420° in less than 45 minutes
- Double glazed glass door along with sealing fiber chamber gaskets & glass fiber insulation prevents burn, reduces any heat loss and allows the user to bake with the door open
- Economy mode forces the ceiling and floor resistors to switch on limiting the required power by 50%
- Fully constructed in high grade (AISI) 304 stainless steel
- Well lit interior chamber light
- No Gap Refractory Stone ensures no difficult-to-clean spots where flour and cheese can get stuck, burn and ruin the taste of the pizza
- Modular so can be stacked up to 3 units high



**IWOS™** Italian Wood  
**SYSTEM** Oven Substitute

KING is the only oven in the world baking with the innovative IWOS™ System (Italian Wood Oven Substitute) which mechanically replicates the air circulation found within a wood-burning pizza oven.

## SPECIFICATIONS

Voltage	400 Volt AC 3/N/PE
	230 Volt AC 1/N/PE
Power	10,4 kW
Weight	192 kg
Plug Supplied	NO
Capacity	6 x 34cm pizza
Thermostat	60-500°C
Warranty	4 Year Warranty (2 yr Labour 4 yr Parts)

## DIMENSIONS

External Width	1485mm	Internal Width	1050mm
External Depth	1140mm	Internal Depth	700mm
External Height	425mm	Internal Height	155mm

## ACCESSORIES

Single Deck Stand	AFOPIEDAZ6NR1M
Double Deck Stand	AFOPIEDAZ6NR2M
Triple Deck Stand	AFOPIEDAZ6NR3M
Extractor Hood	AFOCAPKING6G
Double Door Proofer Insert	AFOCELUN

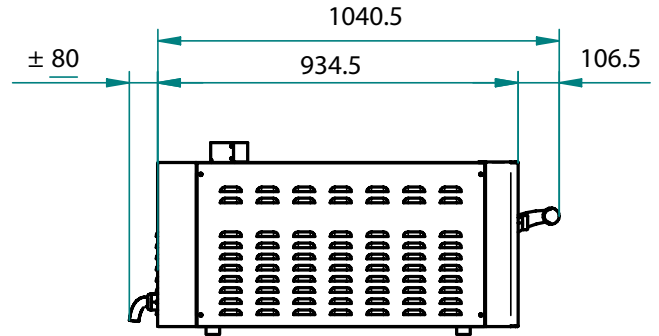
# KING 6G

FOR KING6GTR400

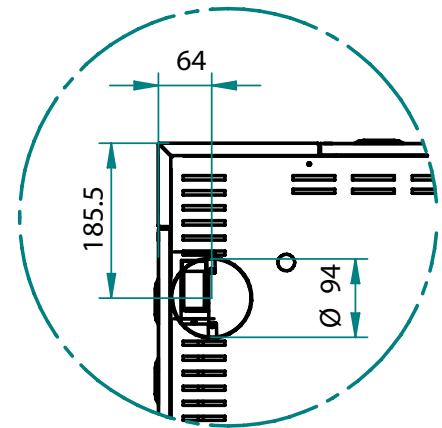
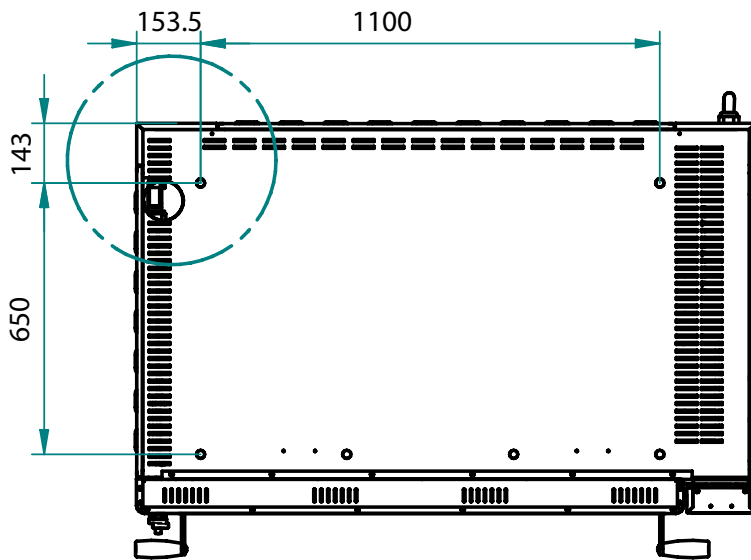
## FRONT



## SIDE



## TOP



We reserve the right to alter specifications without notice.



THE  
GOOD  
LADY

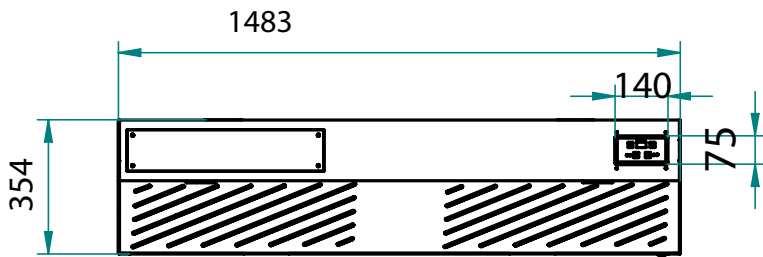
Phone: 1800 183 818 Email: support@thegoodlady.com.au  
Website: www.thegoodlady.com.au

# KING 6G - EXTRACTOR HOOD

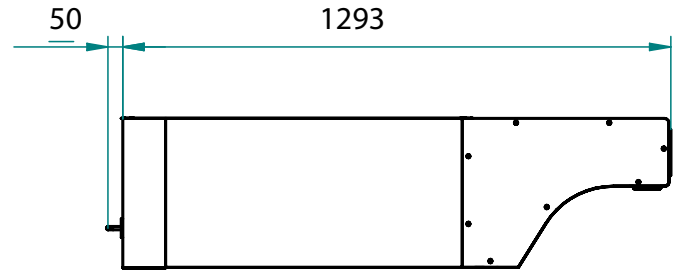
FOR KING6GTR400

AFOCAPKING6G

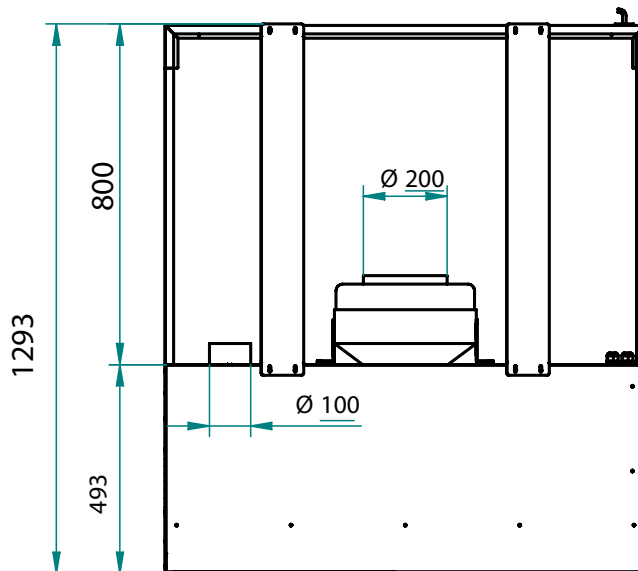
## FRONT



## SIDE



## TOP



We reserve the right to alter specifications without notice.



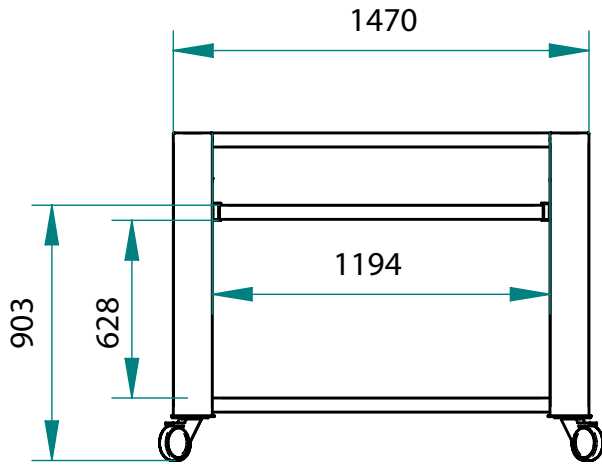
Phone: 1800 183 818 Email: [support@thegoodlady.com.au](mailto:support@thegoodlady.com.au)  
Website: [www.thegoodlady.com.au](http://www.thegoodlady.com.au)

# KING 6G - SINGLE DECK STAND

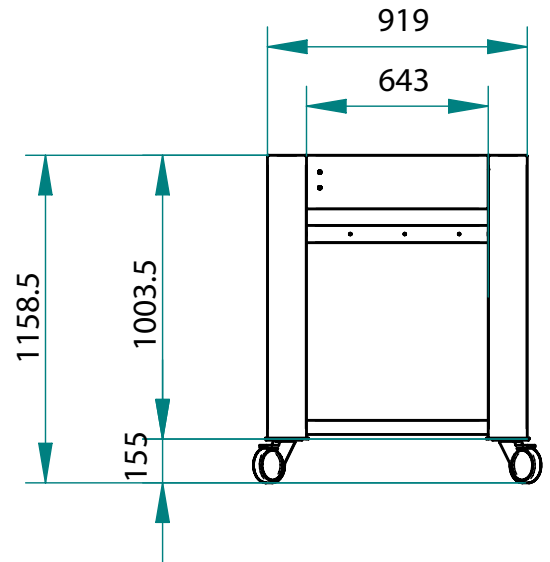
FOR KING6GTR400

AFOPIEDAZ6NR1M

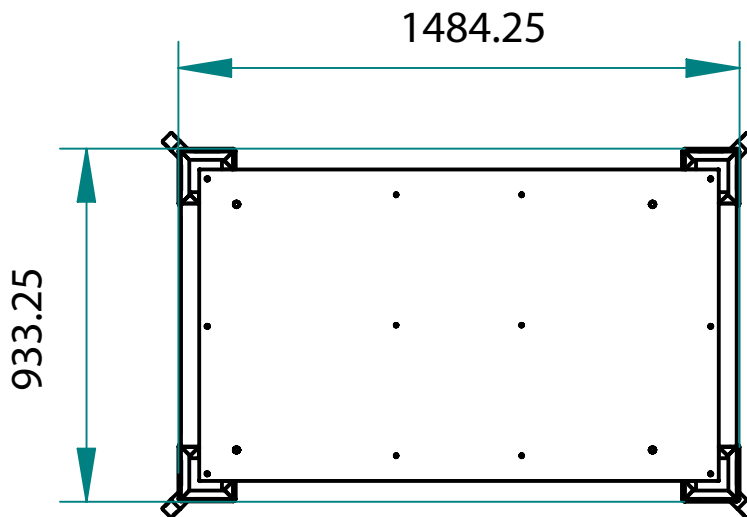
## FRONT



## SIDE



## TOP



We reserve the right to alter specifications without notice.



THE  
GOOD  
LADY

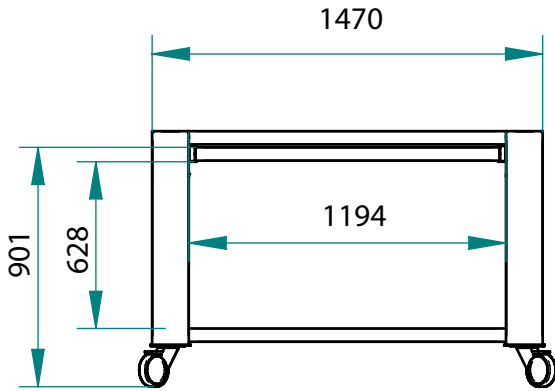
Phone: 1800 183 818 Email: [support@thegoodlady.com.au](mailto:support@thegoodlady.com.au)  
Website: [www.thegoodlady.com.au](http://www.thegoodlady.com.au)

# KING 6G - DOUBLE DECK STAND

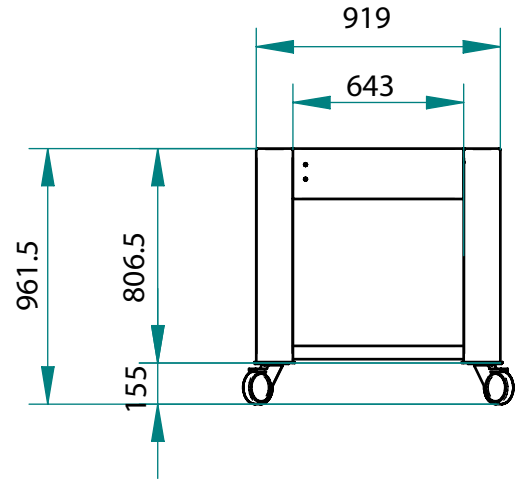
FOR KING6GTR400

AFOIEDAZ6NR2M

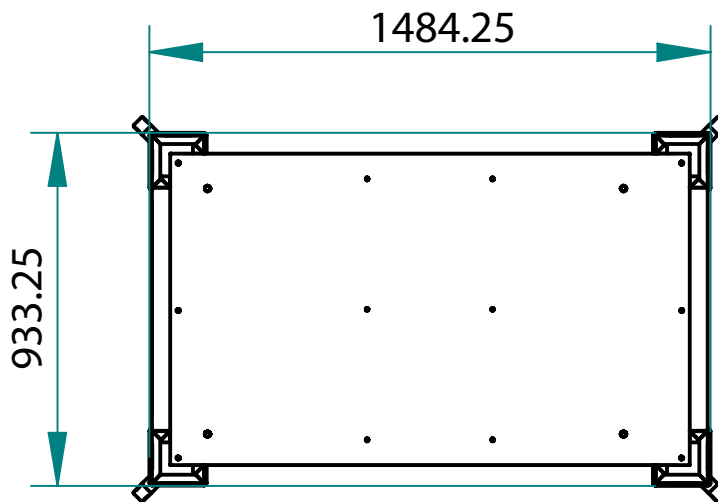
## FRONT



## SIDE



## TOP



We reserve the right to alter specifications without notice.



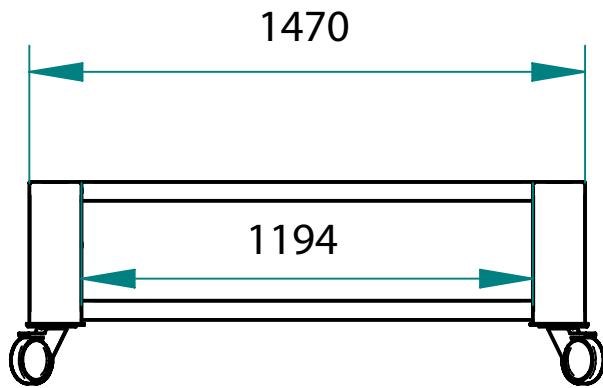
THE  
GOOD  
LADY

Phone: 1800 183 818 Email: [support@thegoodlady.com.au](mailto:support@thegoodlady.com.au)  
Website: [www.thegoodlady.com.au](http://www.thegoodlady.com.au)

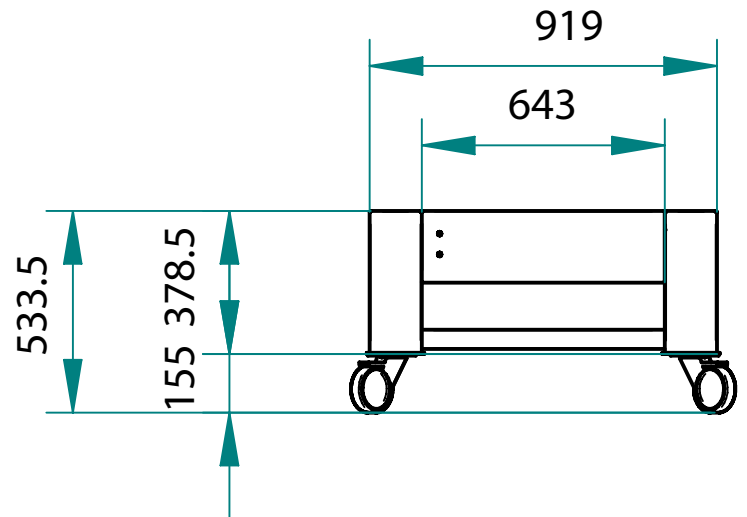
# KING 6G - TRIPLE DECK STAND

FOR KING6GTR400 AFOPIE DAZ6NR3M

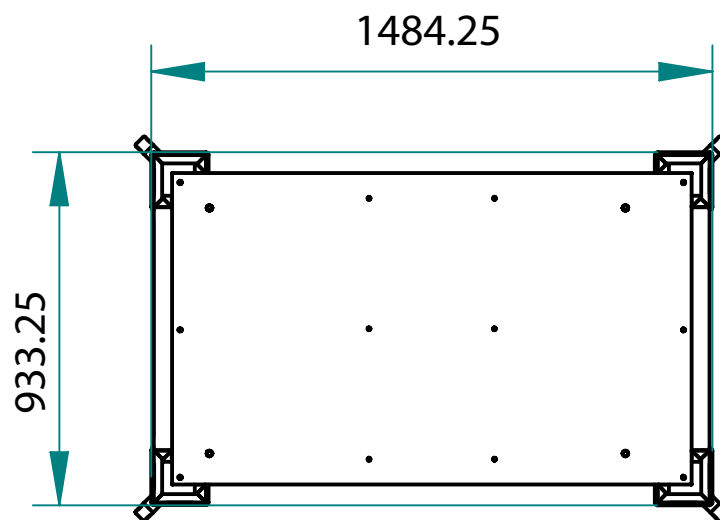
## FRONT



## SIDE



## TOP



We reserve the right to alter specifications without notice.



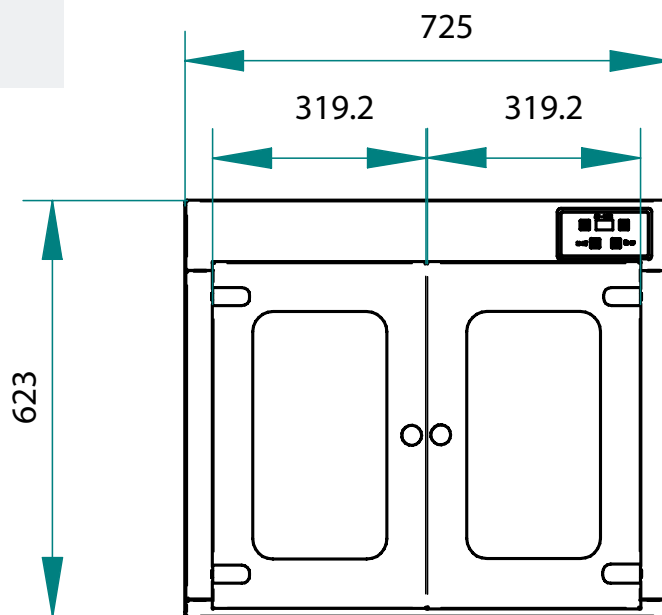
THE  
GOOD  
LADY

Phone: 1800 183 818 Email: [support@thegoodlady.com.au](mailto:support@thegoodlady.com.au)  
Website: [www.thegoodlady.com.au](http://www.thegoodlady.com.au)

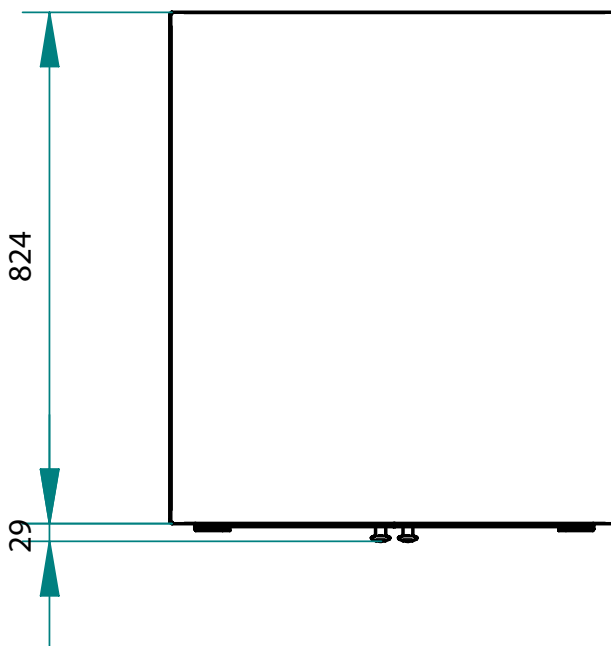
**KING 6G -**  
FOR KING6GTR400

**DOUBLE DOOR PROOFER**  
AFOCELUN

**FRONT**



**TOP**



We reserve the right to alter specifications without notice.



**THE  
GOOD  
LADY**

Phone: 1800 183 818 Email: [support@thegoodlady.com.au](mailto:support@thegoodlady.com.au)  
Website: [www.thegoodlady.com.au](http://www.thegoodlady.com.au)