



**PREMIER**  
COPPER PRODUCTS

**MODEL NUMBER: LH15.5DB**

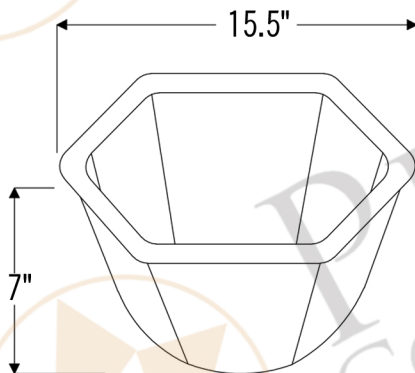
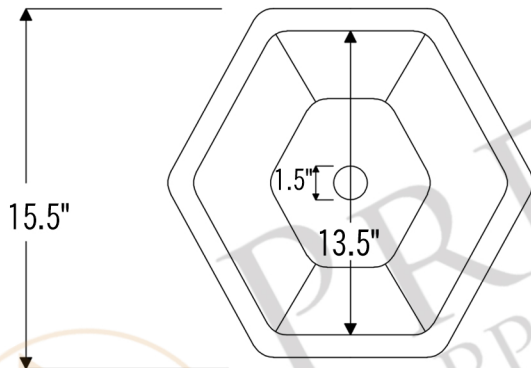
- \* Description: Hexagon Under Counter Hammered Copper Sink
- \* Outer Dimension: 15.5" x 15.5 x 7"
- \* Inner Dimension: 13.5" x 13.5" x 7"
- \* Rim: 1"
- \* Drain Opening: 1.5"
- \* Finish: Oil Rubbed Bronze

CODE/STANDARD COMPLIANCE

\* IAPMO/cUPC LISTED



\* ORB: Oil Rubbed Bronze



THIS PRODUCT IS HAND CRAFTED, SMALL VARIANCES IN COLOR AND SIZE MAY OCCUR.  
DO NOT MAKE ANY INSTALLATION CUTS UNTIL YOU RECEIVE YOUR ITEM(S).