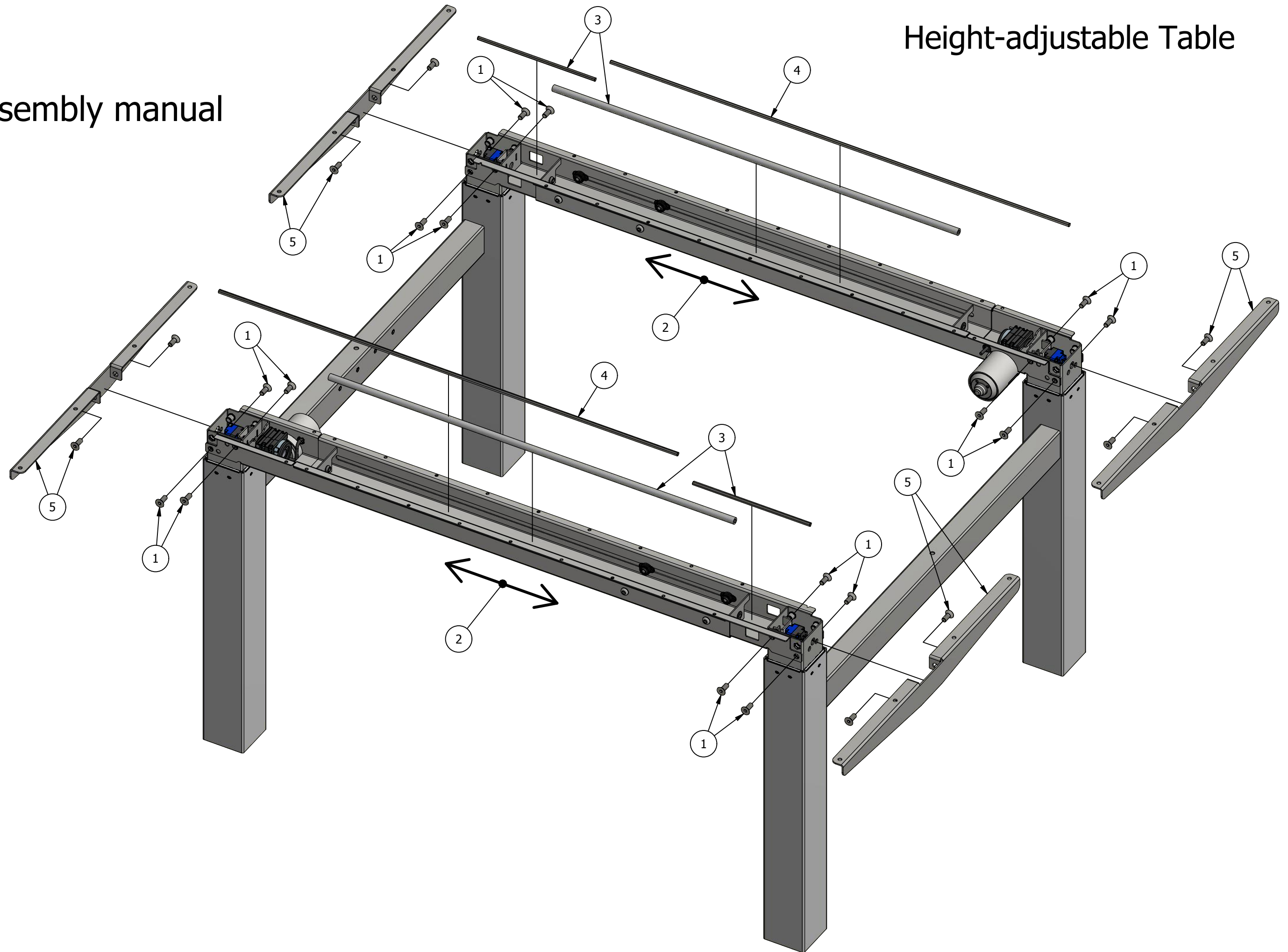


# Assembly manual

# Height-adjustable Table



Assembly manual

Height-adjustable Table

