

BUSTER + PUNCH

BUSTER BULB / TUBE

TECH SPEC



BUSTER BULB / TUBE

BUSTER TUBE / TUBE is the next generation of our iconic BUSTER BULB range.

Designed as a sculptural centrepiece with an elegant extended light pipe.

This LED bulb combines a functional spotlight with a warm, crisp light reminiscent of ambient candle light. Using the latest in Buster + Punch technology, this bulb uses just 1/50th the energy of conventional light bulbs.

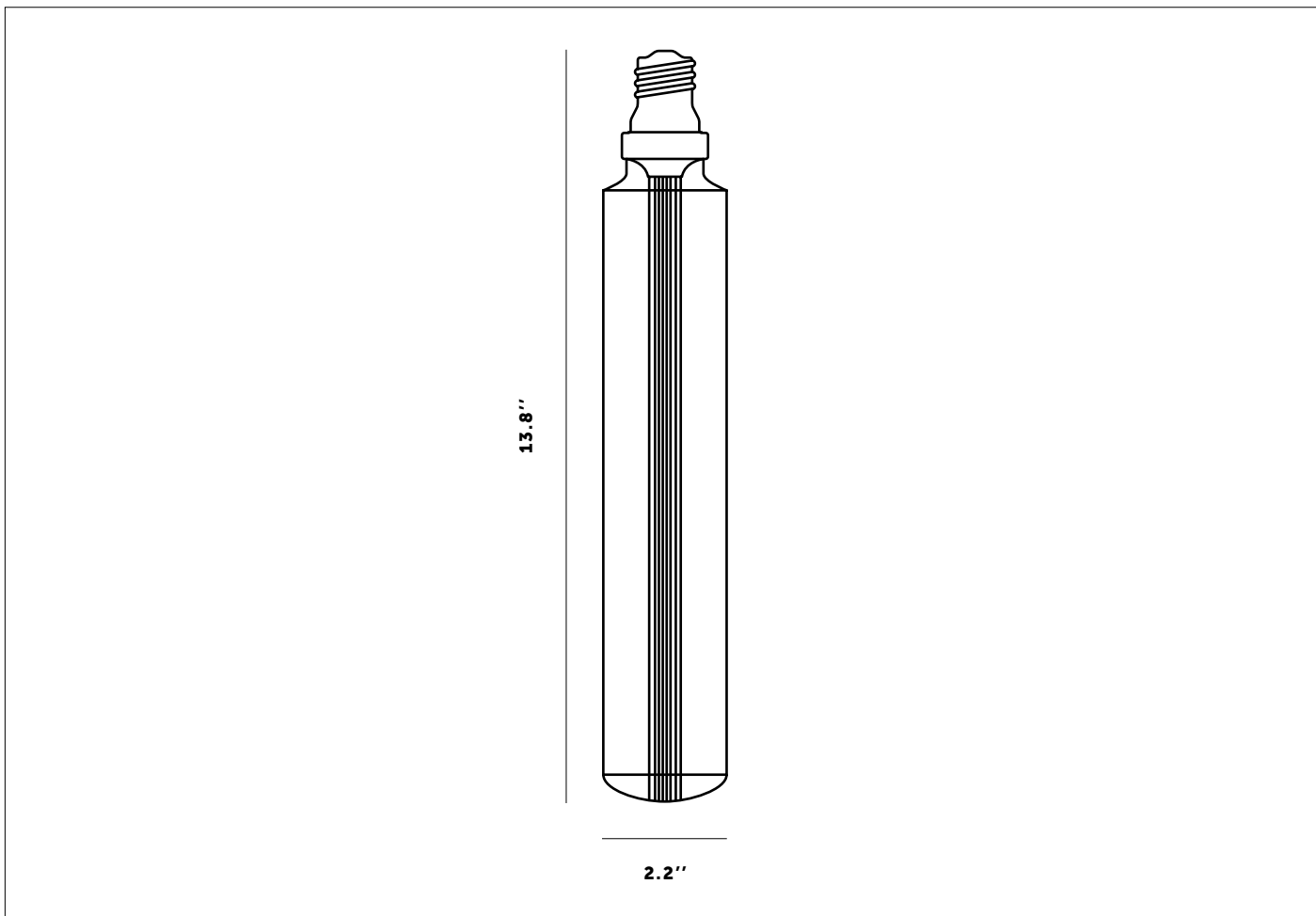
The BULB fits any E26 screw light fitting

busterandpunch.com
info@busterandpunch.com



BUSTER BULB / TUBE / DIMMABLE E27

TECH SPEC



FINISH	SKU
<input type="checkbox"/> Crystal / Dimmable	BB-TU11-E26-D-CR-B

SPECIFICATIONS / DIMMABLE	
Power: 5W Type: Dimmable LED Screw fitting: E26 Supply: 120 VAC Life: 30 000 hrs Lumen: crystal max 320, gold max 250, smoked max 160. Light appearance: crystal 2700k, gold 2500k, smoked 2600k.	CRI: 80 Power factor: 0.9 Recommended dimmer module: Lutron LED dimmers. Please note: Not suitable for DALI dimming systems. ETL-certified.* For indoor use only.

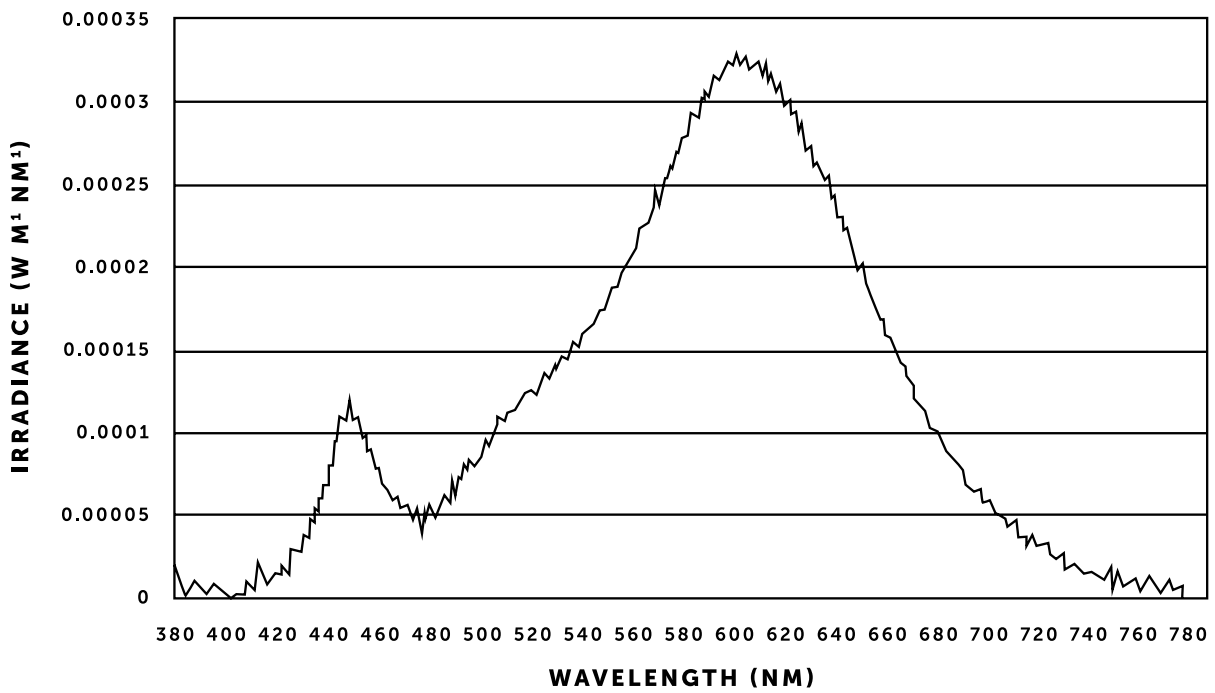
CARE INSTRUCTIONS

Wipe with damp cloth with no loose hairs, avoid using any chemicals. Please note all finishes are prone to aging.

* Official data doc can be supplied upon request.

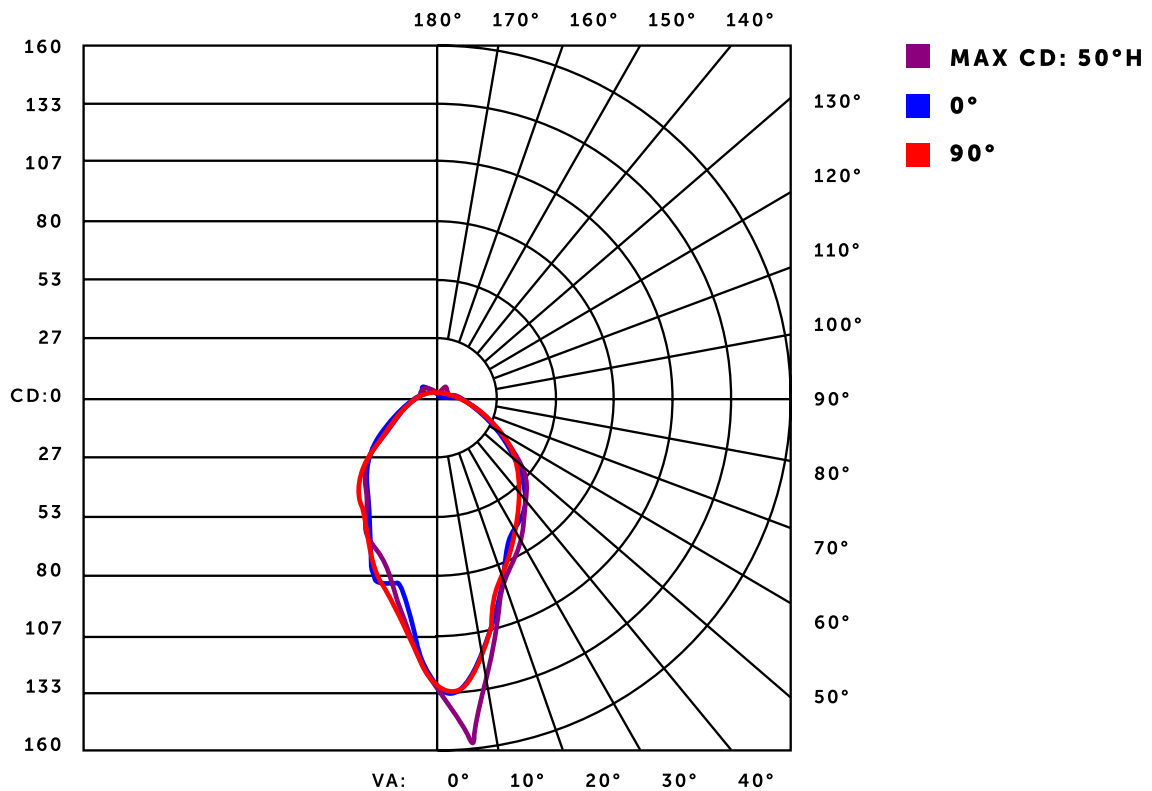
SPECTRAL IRRADIANCE AT 3M

5W DIMMABLE



POLAR CANDELA DISTRIBUTION

5W DIMMABLE

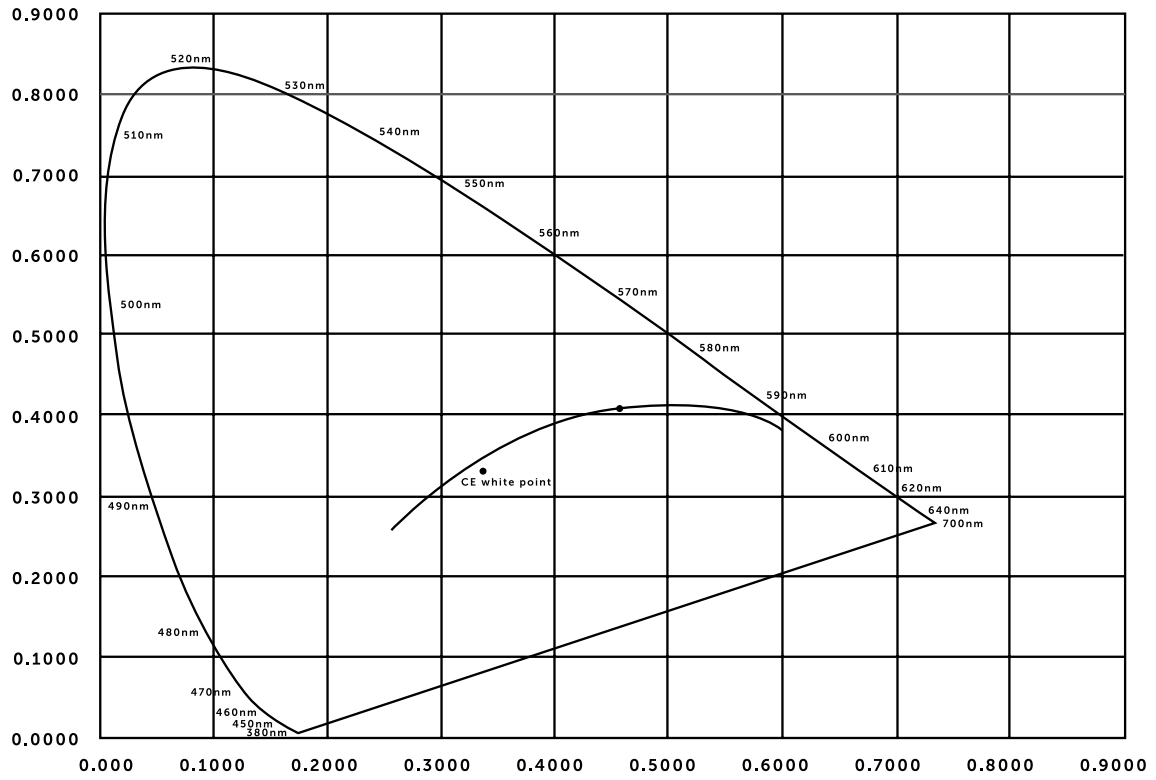


busterandpunch.com
info@busterandpunch.com

CRI 1931

5W DIMMABLE

CIE 1931 Chromaticity Cx: 0.4629
CIE 1931 Chromaticity Cy: 0.4145

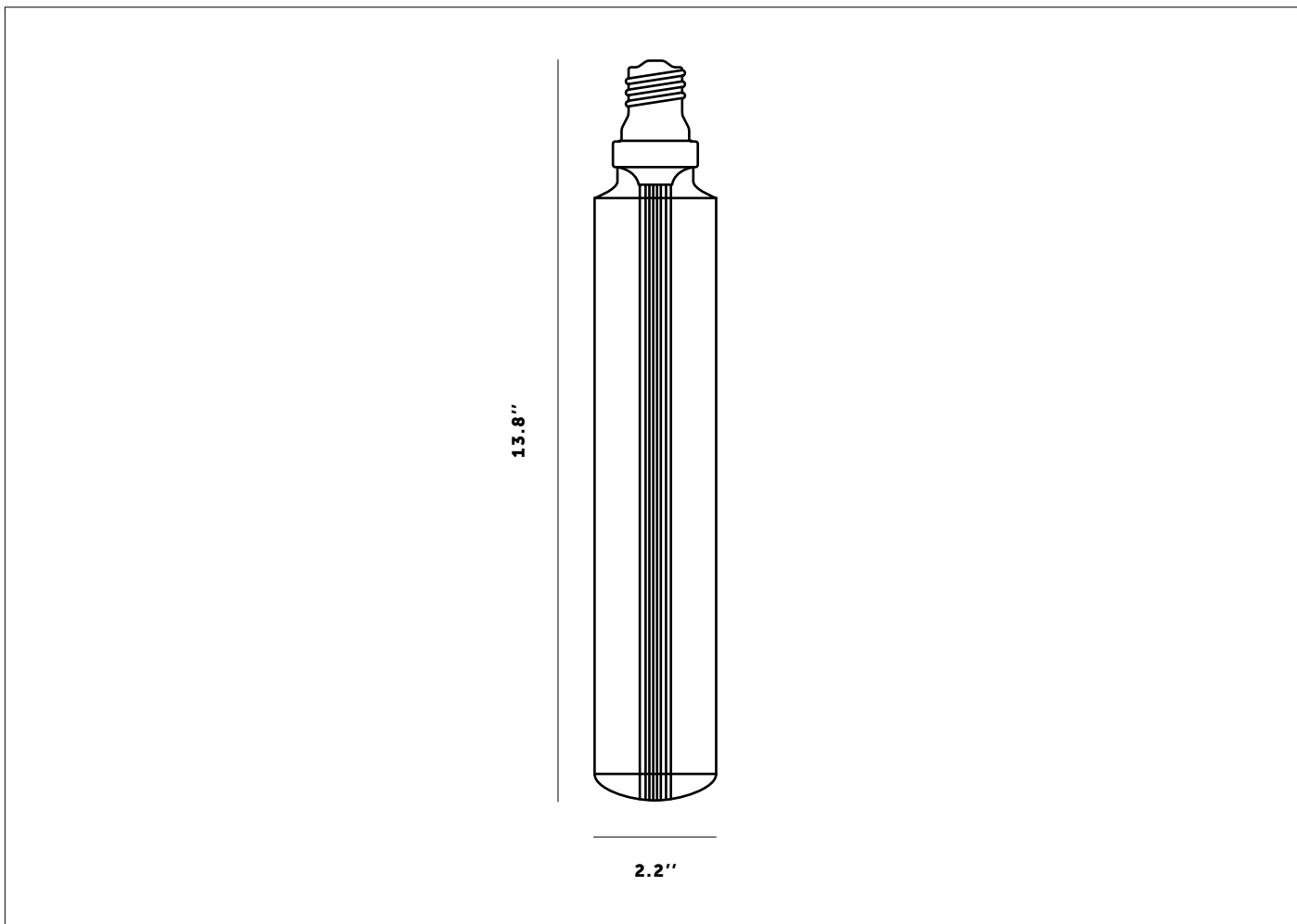


busterandpunch.com
info@busterandpunch.com



BUSTER BULB / TUBE / NON-DIMMABLE E27

TECH SPEC



FINISH	SKU
<input type="checkbox"/> Crystal / Non-dimmable	BB-TU11-E26-ND-CR-B
SPECIFICATIONS / DIMMABLE	
Power: 2W Type: Non-Dimmable LED Screw fitting: E26 Supply: 120VAC Life: 30 000 hrs Lumen: crystal 125, gold 100, smoked 75.	Light appearance: crystal 2700k, gold 2500k, smoked 2500k. CRI: 80 Power factor: 0.5 ETL-certified.* For indoor use only.

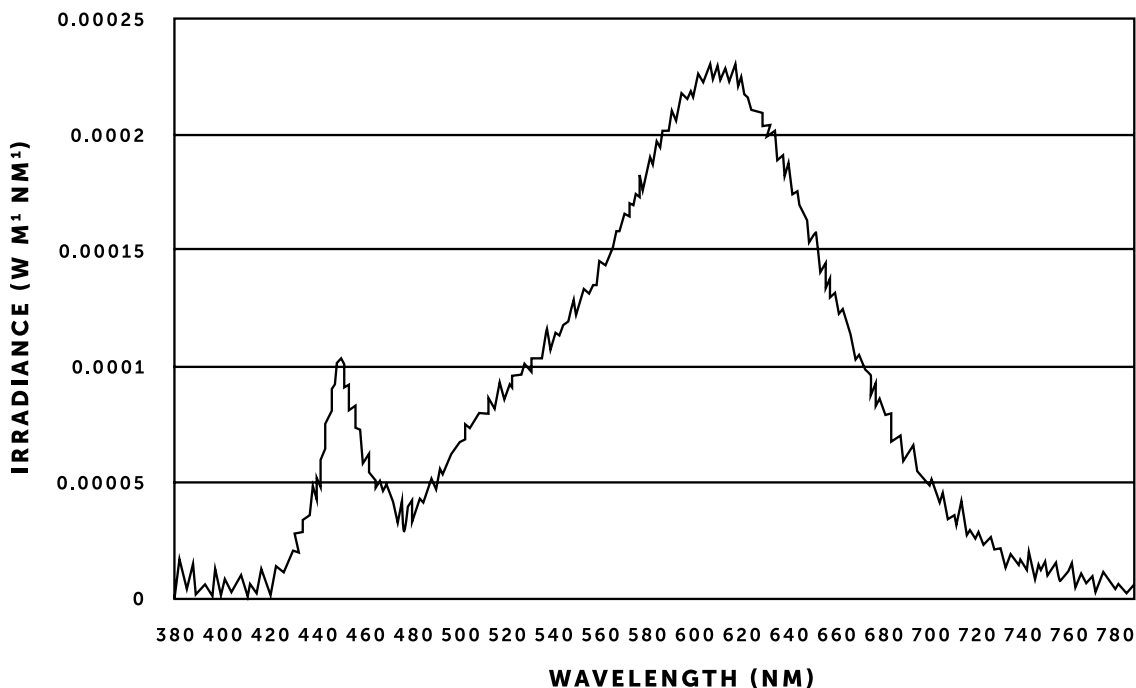
CARE INSTRUCTIONS

Wipe with damp cloth with no loose hairs, avoid using any chemicals. Please note all finishes are prone to aging.

* Official data doc can be supplied upon request.

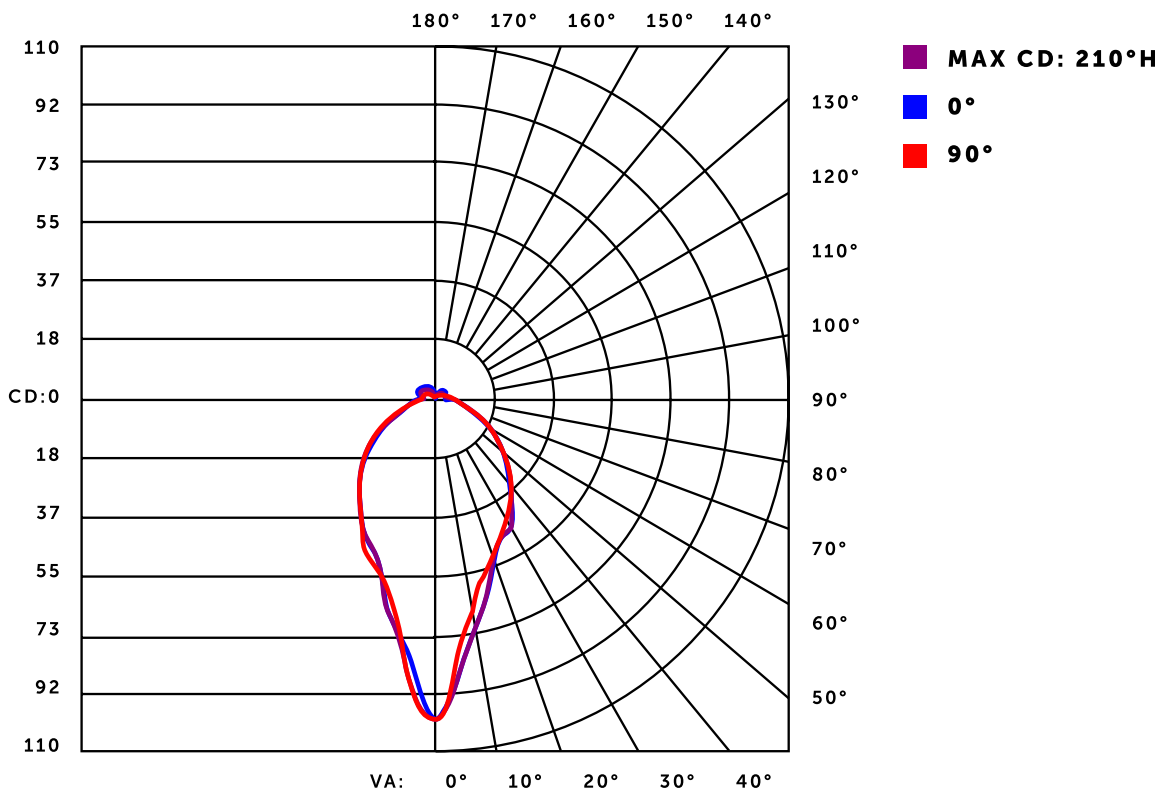
SPECTRAL IRRADIANCE AT 3M

2W NON-DIMMABLE



POLAR CANDELA DISTRIBUTION

2W NON-DIMMABLE

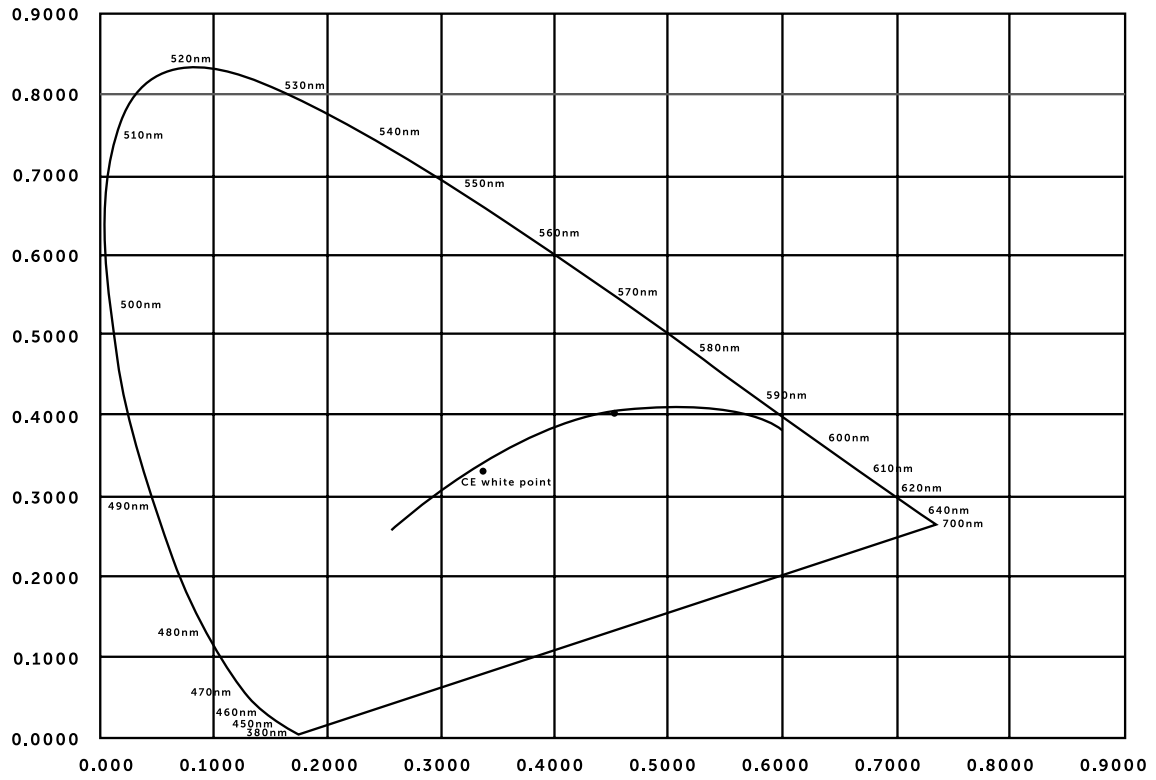


busterandpunch.com
info@busterandpunch.com

CRI 1931

2W NON-DIMMABLE

CIE 1931 Chromaticity Cx: 0.4668
CIE 1931 Chromaticity Cy: 0.4179



busterandpunch.com
info@busterandpunch.com