

# Silver Series Flood Light 10w



## DESCRIPTION:

Touch-Plate's Flood Lights are designed to provide higher lumens and even light distribution. Our Flood Lights can offer energy savings of 70% or greater over traditional metal halide or high pressure sodium lighting. Our Flood Lights are optimal for retrofit installations or new construction installations.

## PRODUCT FEATURES:

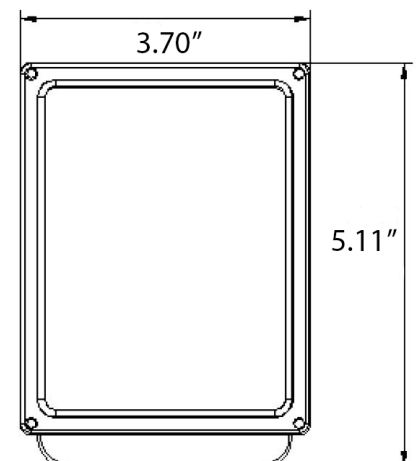
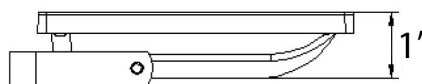
- Slim Design
- Uniform Light
- Die cast aluminum housing + Tempered Glass
- 270° rotating bracket
- Lifetime of 50,000 hrs or greater
- UL Listed (E361401)
- DLC
  - STL-010A
- 5 Year Limited Warranty

## SPECIFICATIONS:

- Wattage: 10w
- Lumens: 1,000 (approx > 100lm/w)
- Equivalence: 30w A19/BR/PAR/CFL
- Color: Black
- Beam Angle: 120°
- CRI: >80
- IP Rating: IP65
- LED Chips: Philips 3030 Chip
- PF: >0.98

## PHYSICAL PARAMETERS:

- Dimensions
  - Length: 5.11"
  - Width: 3.70"
  - Height: 1"
- Weight
  - 3.5 lbs



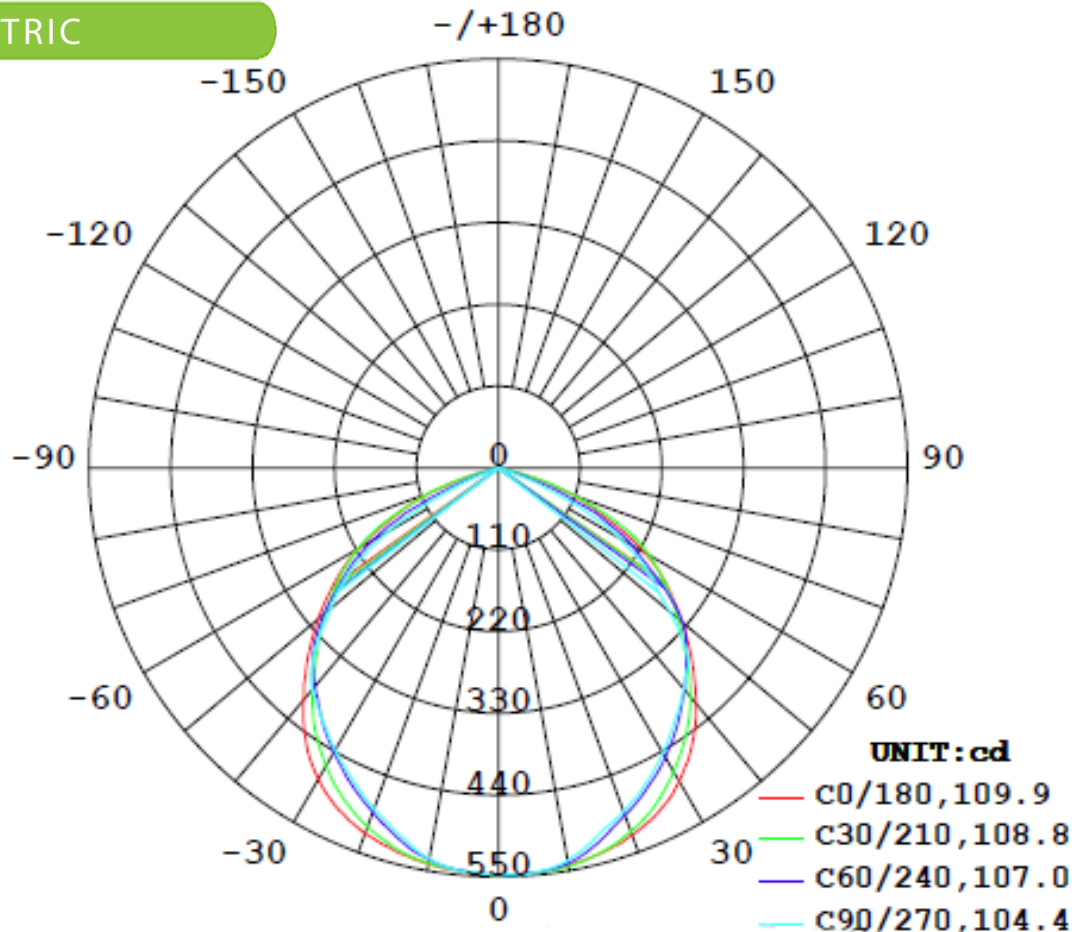


# Silver Series Flood Light

## ORDERING GUIDE

LED Type XXX-	Lumens - Wattage XXX-XXX-	CCT XX	Voltage X
<ul style="list-style-type: none"> <li><b>FLD</b> Flood Light</li> </ul>	<ul style="list-style-type: none"> <li><b>010-010</b> 1,000lm-10w</li> </ul>	<ul style="list-style-type: none"> <li><b>30</b> 3 000 k</li> <li><b>35</b> 3 500 k</li> <li><b>40</b> 4 000 k</li> <li><b>45</b> 4 500 k</li> <li><b>50</b> 5 000 k</li> </ul>	<ul style="list-style-type: none"> <li><b>U</b> 120-277v</li> </ul>

## PHOTOMETRIC



## Silver Series Flood Light

### INSTALLATION INFORMATION (WIRING)

This product must be installed in accordance with National Electrical Code(NEC) and/or applicable local codes, by a qualified electrician.

#### **DANGER - RISK OF SHOCK - DISCONNECT POWER BEFORE INSTALLATION**

- Flood Lights can be ordered with a specified plug or without a plug
- Make the necessary 'HOT' (Black or Brown), 'Neutral' (White or Blue), and 'Ground' (Green) connections in an approved junction box.

### INSTALLATION INFORMATION

- If you are mounting fixture to brick, concrete or mortar, you will need to pre-drill the holes first.
- Use M6x80mm screws and washers through the two outer holes to mount fixture.

