

Temporary Work Light Single End 100w



DESCRIPTION:

Touch-Plate's Temporary Work Light was designed to be used as temporary lighting and/or areas that need 360° lighting with a protective cage. With energy savings of 30% or greater over traditional lighting. The Temporary Work Light is optimal for temporary installations and outdoor areas.

PRODUCT FEATURES:

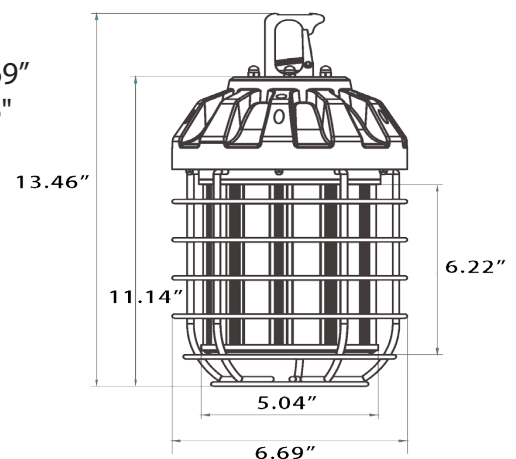
- Cooling heatsink fins, no fans
- >6KV surge protection
- Isolated driver for better heat dissipation
- Lifetime of 50,000 hrs or greater
- UL Listed (E364363)
- DLC Listed
 - 100w (GKS36-100WX-01D3)
- 5 Year Limited Warranty

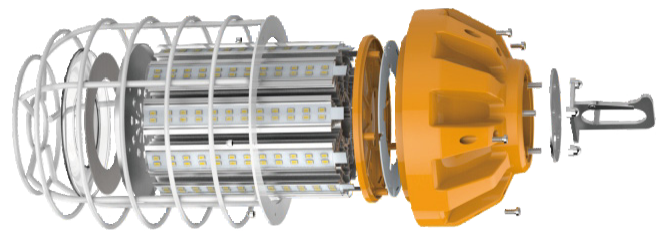
SPECIFICATIONS:

- Wattage: 100w
- Lumens: 11,500 (approx > 115lm/w)
- Equivalence: 400w HID/HPS/MH
- 360° Beam Angle
- IP Rating: IP64
- LED Chips: LG5630
- PF: >0.90

PHYSICAL PARAMETERS: _____

- Dimensions
 - Diameter: 6.69"
 - Height: 13.46"
- Weight
 - 16.16lbs





Temporary Work Light Single End

ORDERING GUIDE

LED Type XXX-	Lumens - Wattage XXX-XXX-	CCT XX-	Voltage X-
<ul style="list-style-type: none"> TWC Temporary Work Cage 	<ul style="list-style-type: none"> 115-100 11,500 ^ _ Ž 10" i 	<ul style="list-style-type: none"> 30 3000k 40 4000k 50 5000k 	<ul style="list-style-type: none"> R 120v

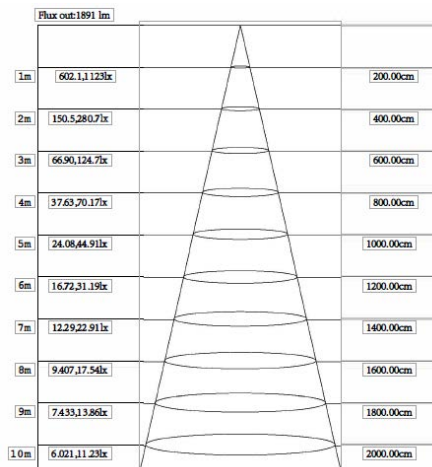
INCLUDED ACCESSORIES

- Stainless Steel Cable (21.5"/.54m)
- Clip (2"/.61m)

ACCESSORIES (SOLD SEPARATELY)

- Stainless Steel Cable (2f t/.5m)
- Stainless Steel Cable (3f t/1m)
- Stainless Steel Cable (7f t/2m)
- Stainless Steel Cable (10f t/3m)
- Stainless Steel Cable (20f t/6m)
- S Hook Clip (Medium & Large)

PHOTOMETRIC



Temporary Work Light Single End

INSTALLATION INFORMATION

This product must be installed in accordance with National Electrical Code(NEC) and/or applicable local codes, by a qualified electrician.

DANGER - RISK OF SHOCK - DISCONNECT POWER BEFORE INSTALLATION

- Ensure the area where the the LED light will hang can hold up to 60lbs. Open the 'O' hook and affix the LED.
- Plug in the LED and ensure that it works properly.

