

RAVIOMATIC RAVIOLI EXTRUDER

40111562



Main Features

- Electric ravioli maker for single-layer extruded ravioli
- Practical, flexible and fast
- Comes with moulds of different shapes and sizes
- Each component in contact with the pasta can be easily dismantled for efficient and rapid cleaning
- Practical system for adjusting the amount of filling
- Variable-speed independent motor that adapts to any type of machine with high performance



ACCESORIES

Various dies for different sheet thicknesses, 0,8 mm and 1 mm

- Connection kit ravioli maker and pasta machine
- Second funnel for loading the filling with practical support

Full Range of Dies & Cutters - Back page

SPECIFICATIONS

Power	100 W, 1HP, Single phase
Weight	20 kg
Plug Supplied	No
Warranty	4 Year Warranty (2 yr Labour 4 yr Parts)

DIMENTIONS

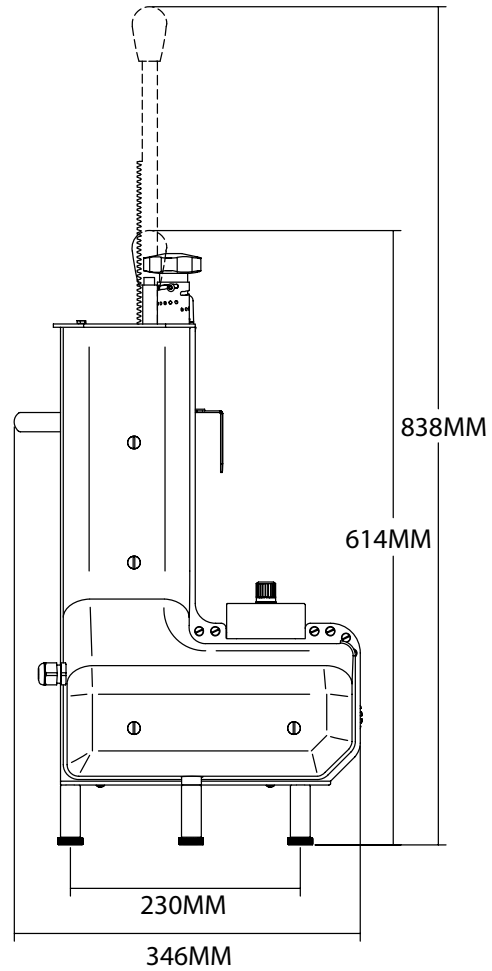
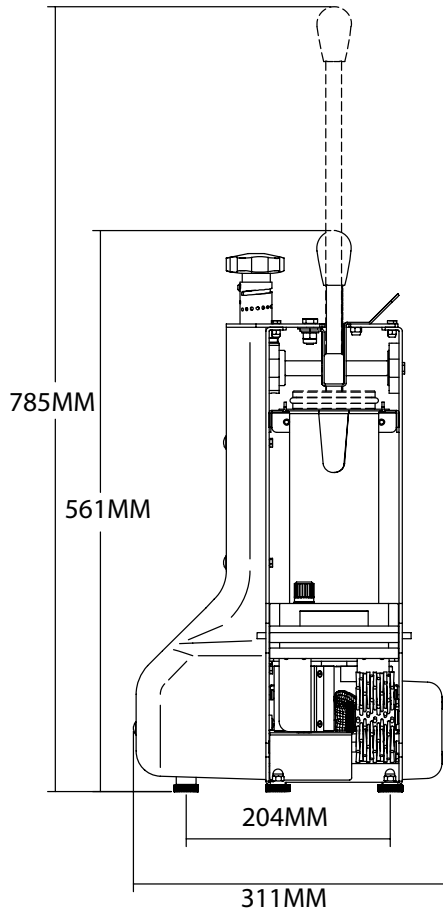
External Width	311mm
External Depth	346mm
External Height	838mm



Phone: 1800 183 818 Email: support@thegoodlady.com.au
Website: www.thegoodlady.com.au

SIDE

SIDE



We reserve the right to alter specifications without notice.



**THE
GOOD
LADY**

Phone: 1800 183 818 Email: support@thegoodlady.com.au
Website: www.thegoodlady.com.au

MODEL NUMBER	DESCRIPTION	DIMENSION
ACCESSORIES		
	Raviomatic	
	S/steel support cylinder for Raviomatic 31	
40111522	Bologna EL (Concerto 5) Motorized Raviola maker	
40111522	EL Bologna EL (Orchestra 10) Motorized Raviola makeR	
LF202505340	Connection kit Concerto 5	
LF202505338	Connection kit - Orchestra 10	
DIES - (RAVIOMATIC)		
LF202505330	big size ravioli	thickness 0,8mm
LF202505331	big size ravioli	thickness 1mm
LF202505333	small size ravioli	thickness 0,8mm
LF202505334	small size ravioli	thickness 1mm
LF02300110100	Ravioli device for interchangeable moulds (patented)	
Ravioli mold (Bologna EL - Raviomatic) - Using the Interchangeable Mold Adapter		
LF20250136A	Rettangolare piccolo seghettato	50x42mm
LF20250136B	Rettangolare grande seghettato	70x50mm
LF20250136C	Mezzaluna piccolo seghettato	50 x h.31mm
LF20250136D	Mezzaluna grande seghettato	72 x h.49mm
LF20250136E	Schlutzkrapfen mezzaluna piccolo liscio	50 x h.31mm
LF20250136G	Triangolare	60 x h.60mm
LF20250136H	Schlutzkrapfen mezzaluna grande liscio	72 x h.49mm
LF20250136I	Quadrato seghettato	37 x 37mm
Ravioli mold (Bologna EL - Raviomatic) - Complete Fixed Mold and Adapter		
40111600A	ST. RAVIOLI RETTANG.IRR.PICC.SEGHETT	
40111600B	ST.RAVIOLI RETTANG.IRR.GRAN.SEGHETT	
40111600C	ST.RAVIOLI MEZZALUNA PICC.SEGHETT	
40111600D	ST.RAVIOLI MEZZALUNA GRAN.SEGHETT	
40111600	E ST.RAVIOLI MEZZALUNA PICC.LISCIO	
40111600G	ST.RAVIOLI TRIANGOLARE	
40111600H	ST.RAVIOLI MEZZALUNA GRANDE LISCIO	
40111600I	ST.RAVIOLI QUADRATO C/CAPPE	37x37mm



We reserve the right to alter specifications without notice.