

MANHATTAN  
COMFORT

---

**ASSEMBLY GUIDE**  
**DR-CHKD0602**



V.10102022

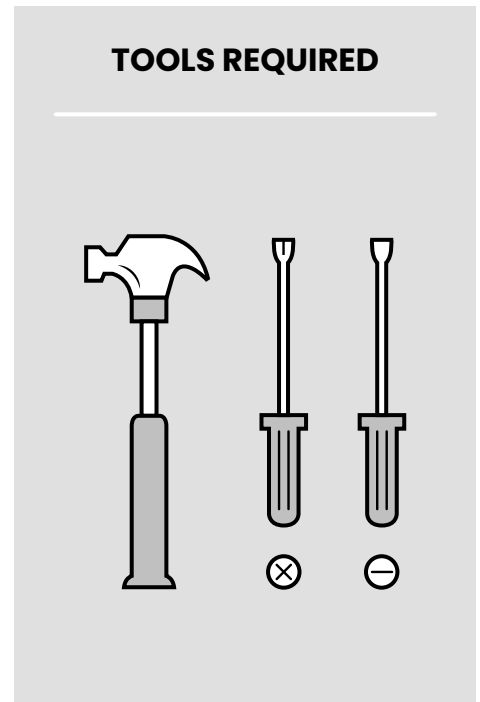
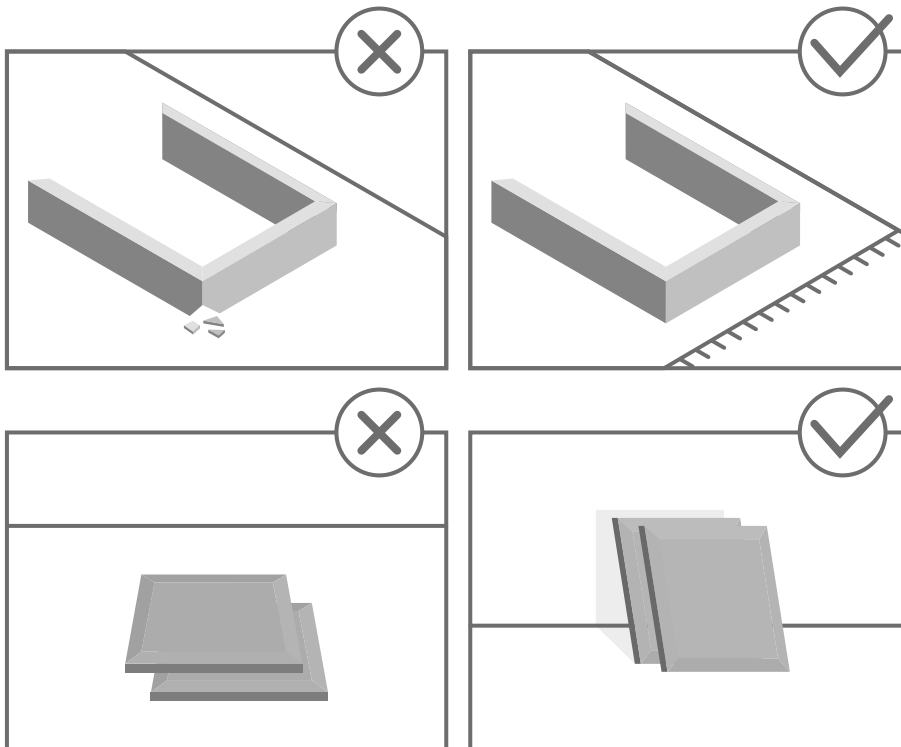


# STOP!

Before beginning the assembly process, ensure all boxes and parts have been delivered.

## FOR BEST RESULTS:

- Do not throw away packaging materials until assembly is complete.
- Assemble item on a soft surface, such as cardboard or carpet, to protect finish.
- Proper assembly requires two people.



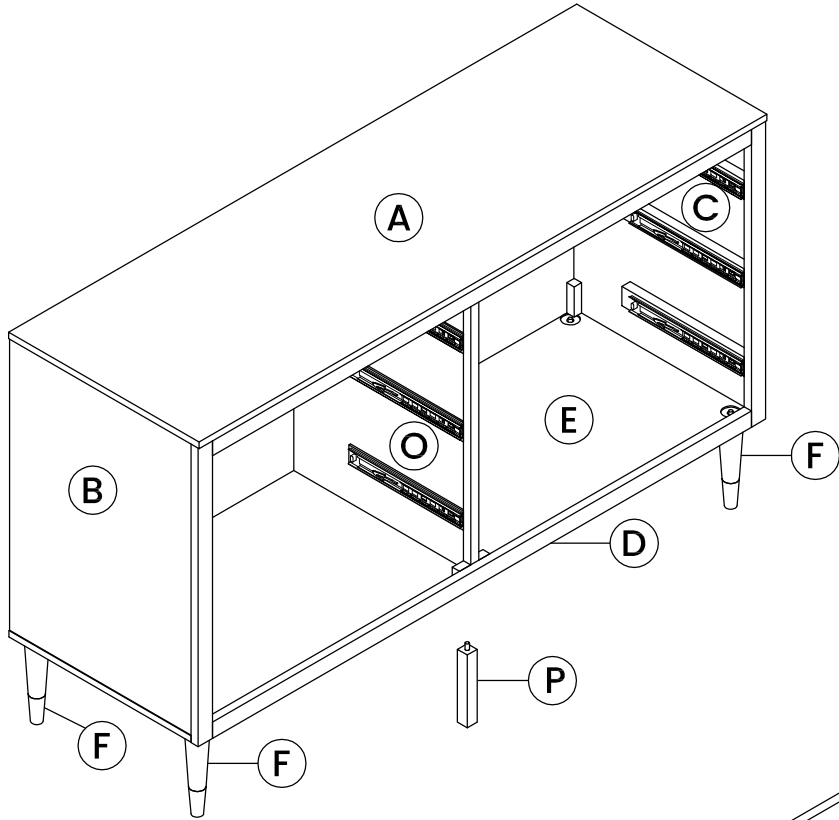
View our assembly video online:  
[WWW.MANHATTANCOMFORT.COM](http://WWW.MANHATTANCOMFORT.COM)



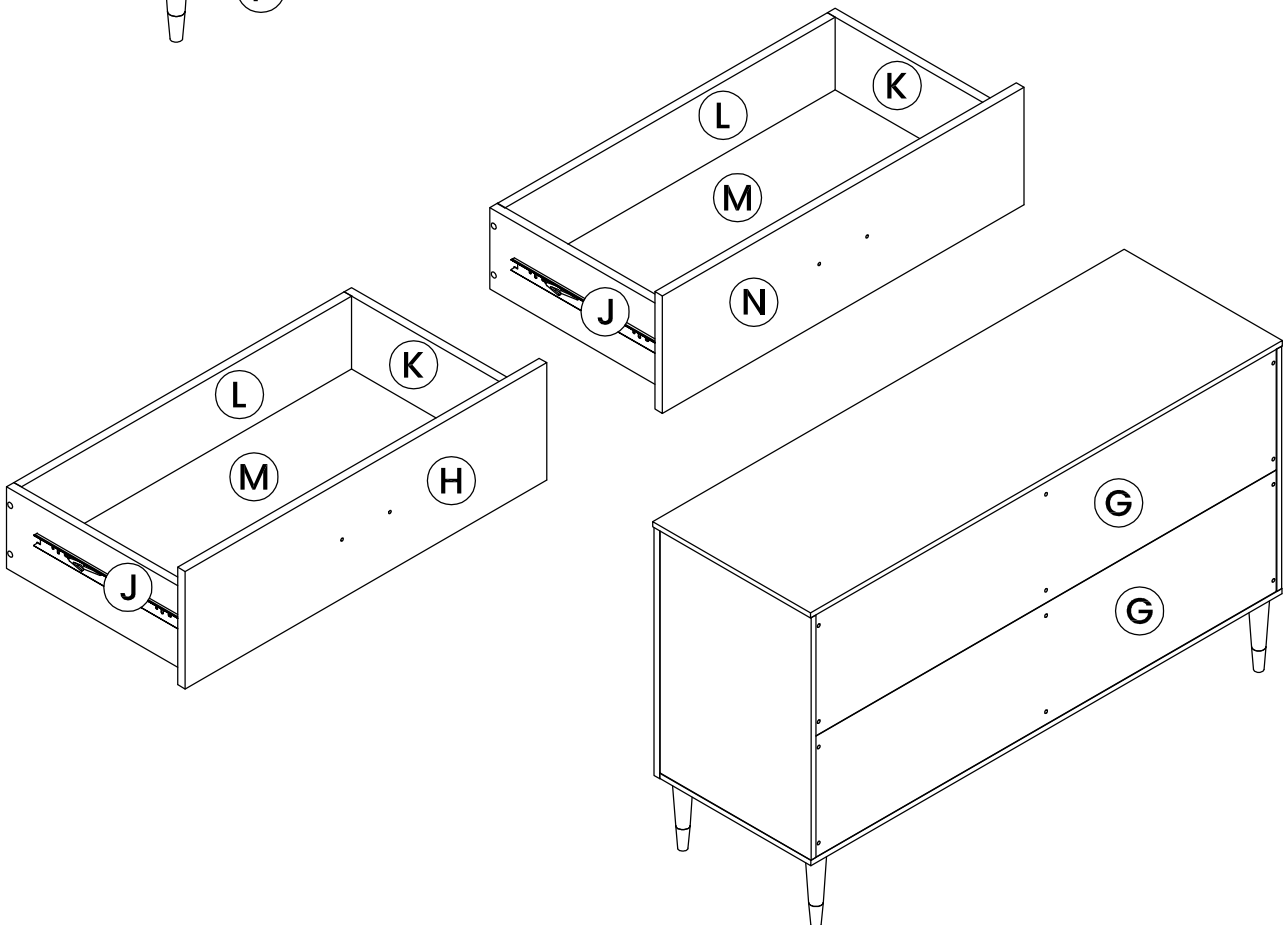
Stuck? Question? We are here to help.  
tel: **908-888-0818**  
e-mail: [help@manhattancomfort.com](mailto:help@manhattancomfort.com)

## SUPPORT SITE



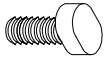


- A. Top Panel x1
- B. Side Panel - Left x1
- C. Side Panel - Right x1
- D. Front Frame x1
- E. Bottom panel x1
- F. Legs x4
- G. Back Panel x2
- H. Drawer Front Panel - Left x3
- J. Drawer Left Panel x6
- K. Drawer Right Panel x6
- L. Drawer Back Panel x6
- M. Drawer Bottom Panel x6
- N. Drawer Front Panel - Right x3
- O. Partition Panel x1
- P. Middle leg x1

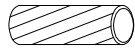


## Included in this package:

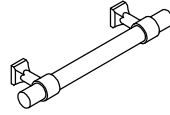
---



#1 x 36



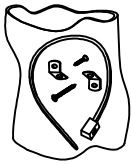
#2 x 3



#3 x 6



#4 x 12



#5 x 2

## WHERE TO FIND THE ITEMS:

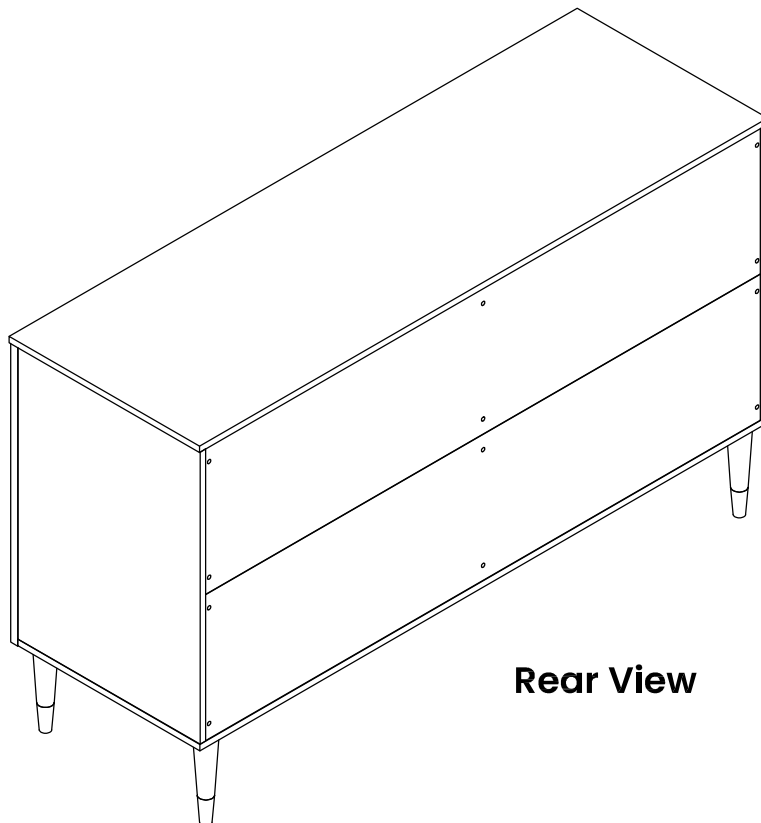
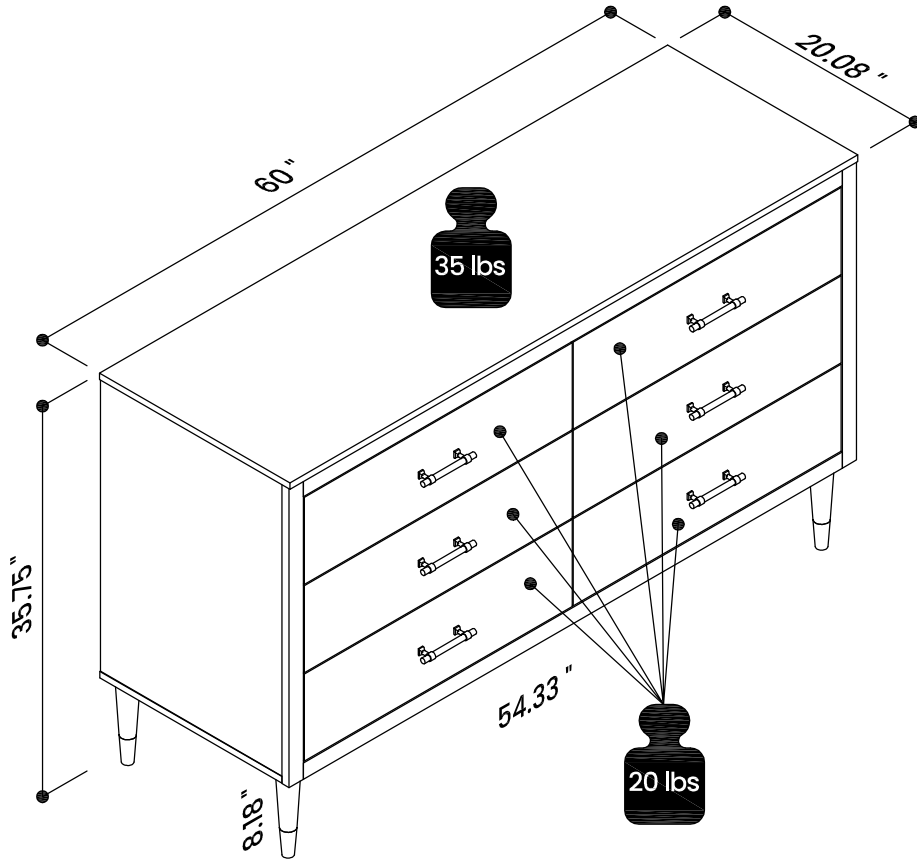
---

Box 1	
B	#1
C	#2
F	#3
L	#4
M (2pcs)	#5
O	
P	

Box 2	
A	M (4pcs)
D	N
E	
G	
H	
J	
K	

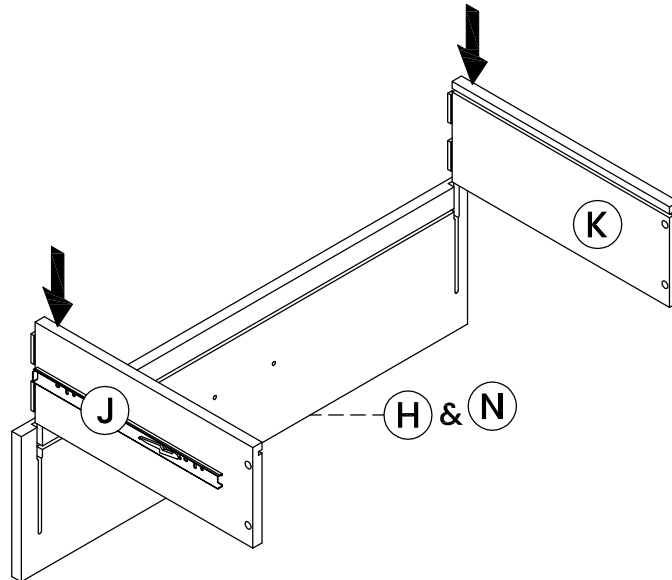
# Weight capacity:

---



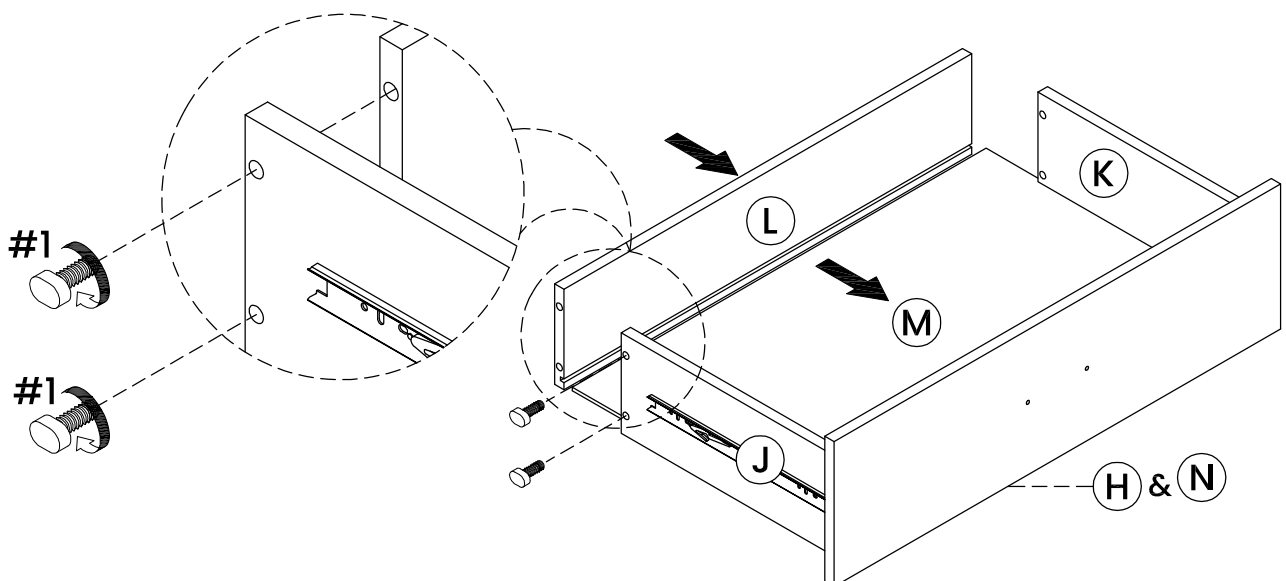
**STEP 1.**

Turn over the drawer front panel, then align the hardware on the L/R Drawer Sides (Part J & K) with the hardware on the Drawer Front (Part H & N) making sure that the grooves on the drawer sides (J & K) are facing in and at the bottom of the drawer. Also ensure the the drawer glides are facing out.

**STEP 2.**

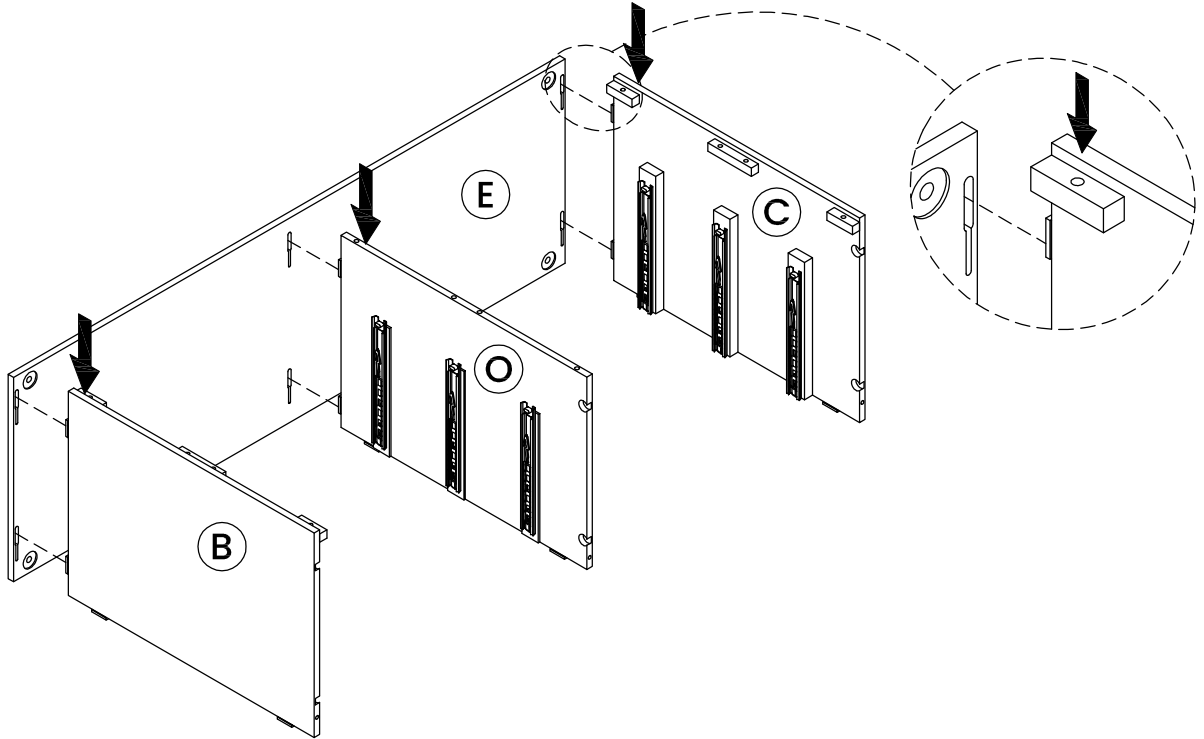
Insert the Drawer Bottom (Part M) into the grooves in the side panels and press forward until the front edge goes completely into the groove in the drawer front. Add the Back Panel (Part L) making sure the bottom panel insert completely into the groove. Insert Bolts (#1) and turn clockwise to tighten completely.

#1 x 24	
---------	--

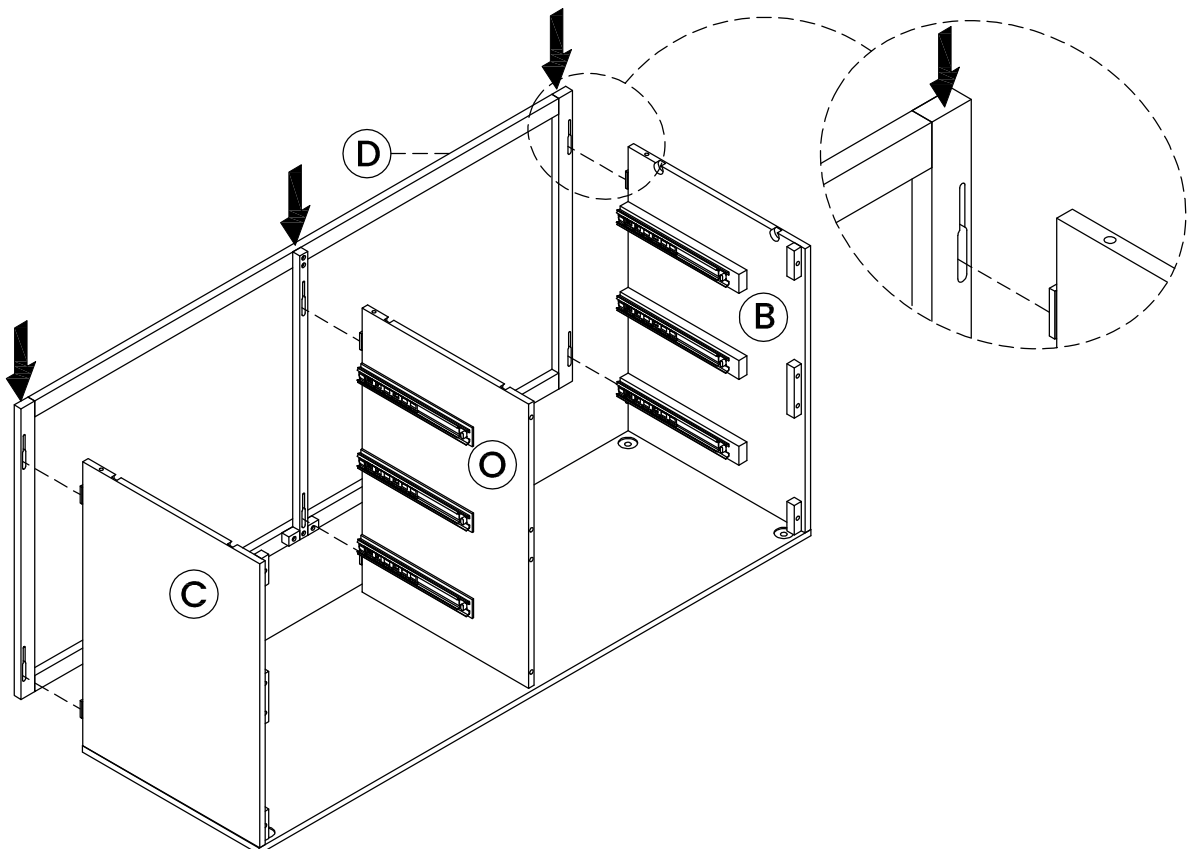


**STEP 3.**

Place the Bottom Panel (Part E) on a soft dry surface in vertical direction. With the grooves and hardware facing in, insert the L \ R Side Frames & Divider Panel (Parts B,C&O) into the bottom panel and slide forward to secure in place. For best results turn the cabinet forward onto its face and press down on the Side Frames & Divider Panel (Parts B,C&O). Make sure that the grooves are all aligned.

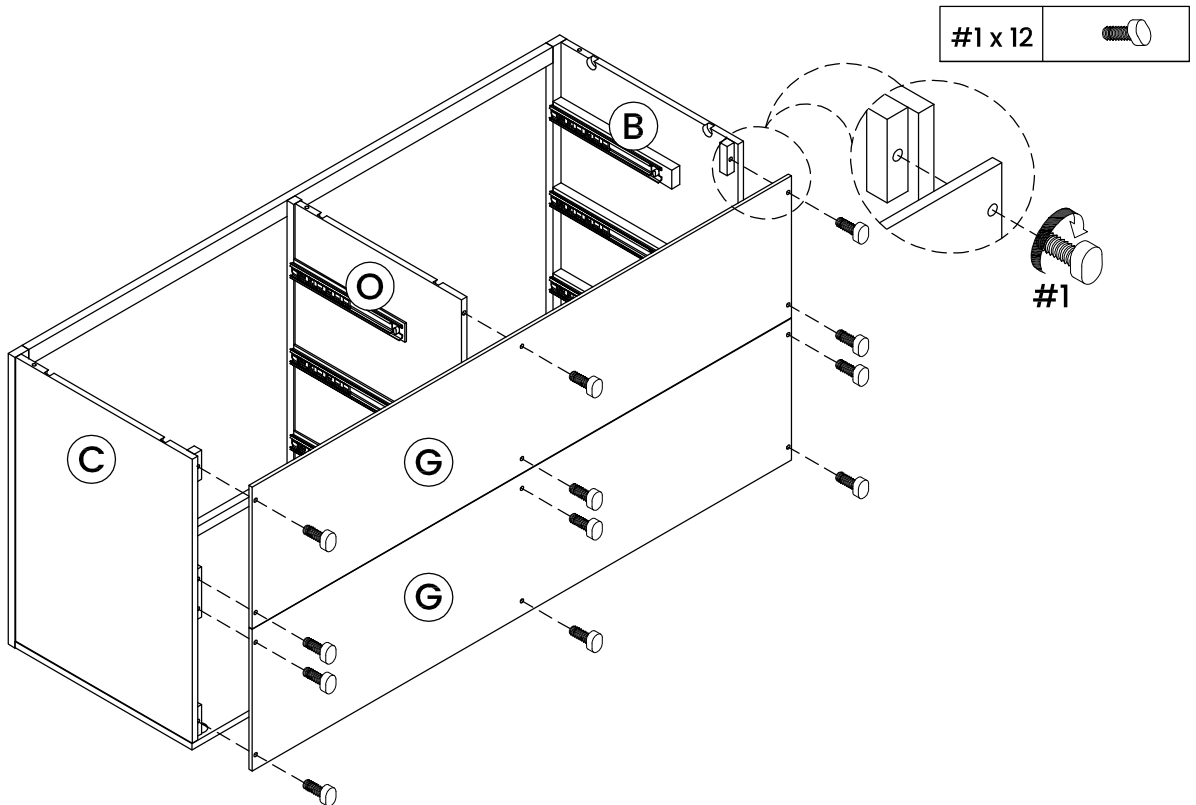
**STEP 4.**

Insert the Front Frame (Part D) into the L/R Side Panels & Divider Panel (Parts B,C & O). For best results, press up on (Part D) Front Frame to secure them into place.

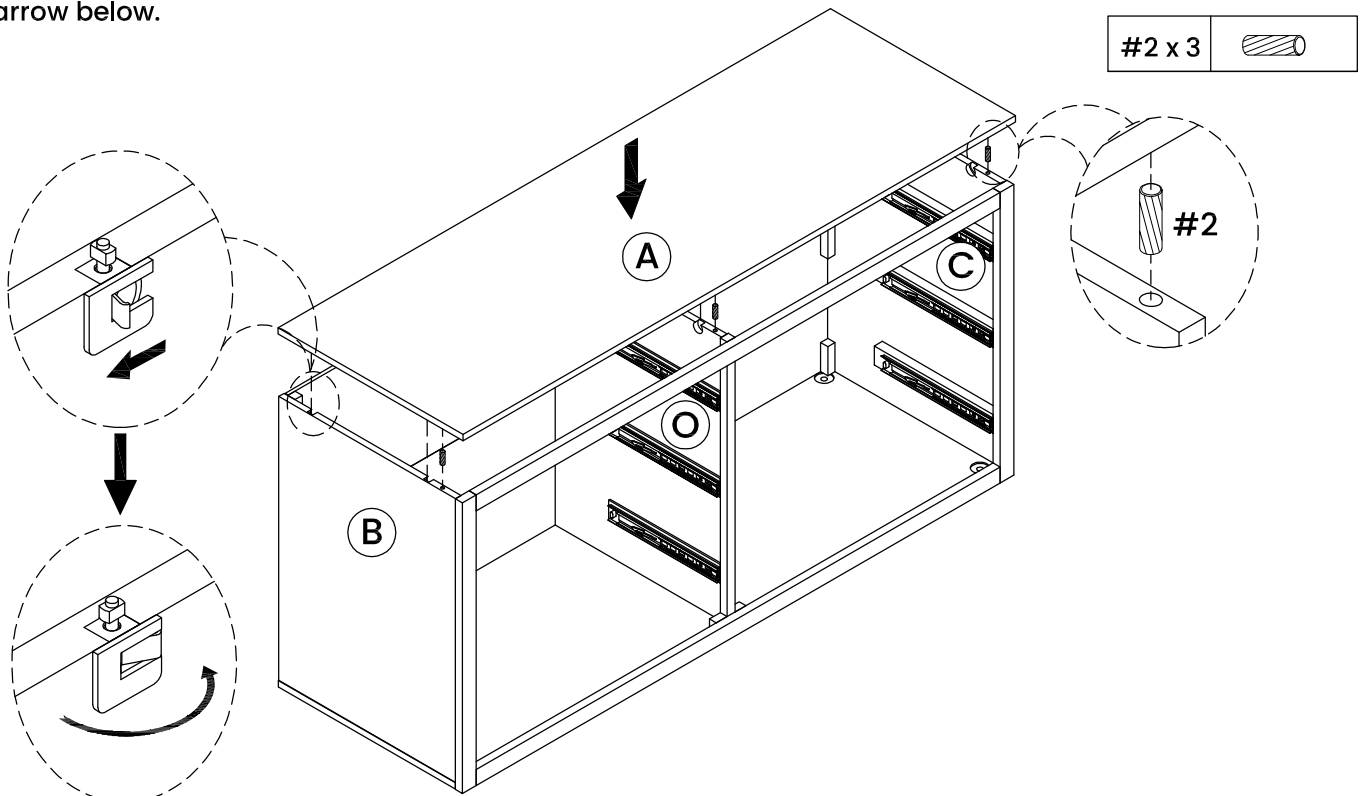


**STEP 5.**

Use the bolt(#1)to fix the back panel (Part G) to the side and middle panels (Part C & B & O) in the clockwise direction.

**STEP 6.**

Insert the dowel(#2) into the predrilled hole on the side panels and middle panel. Make sure that the switch locking hardware in (Parts B,C & O) are in the open position as indicated by the straight arrow in the diagram below. Align the hardware in the Top Panel (Part A) with the switch hardware in the side and middle panels and lower it into place. Making sure that the hardware is completely inserted into the top turn the switches to secure it into place as indicated by the curved arrow below.

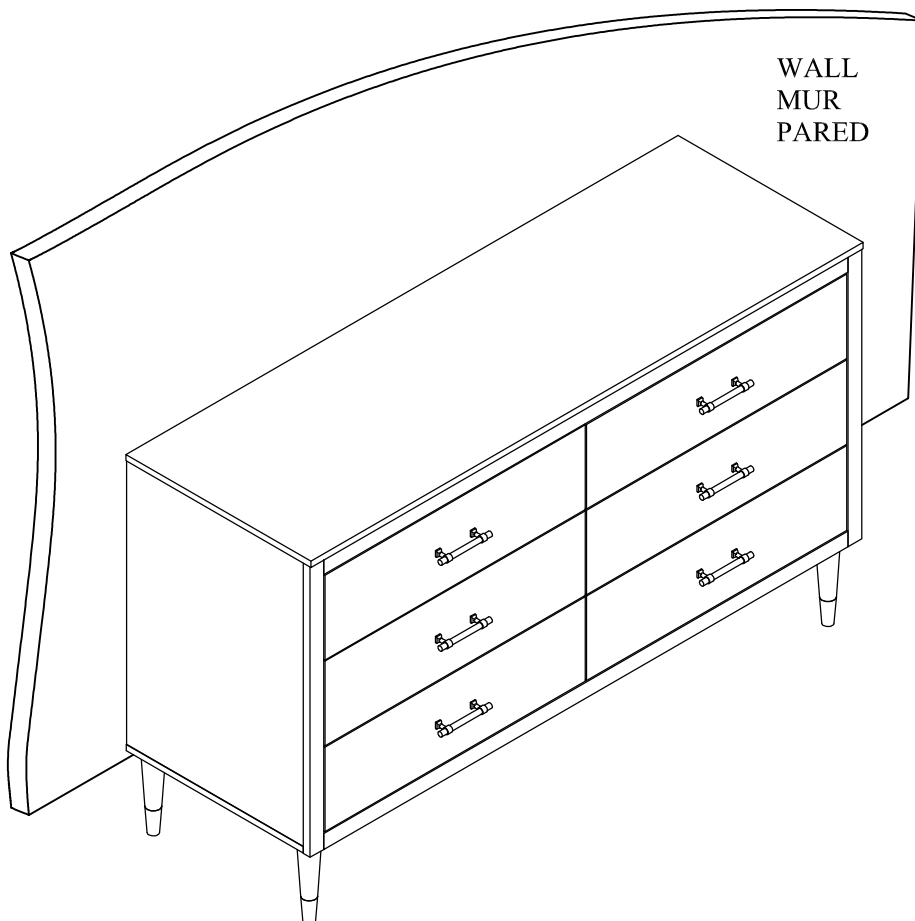
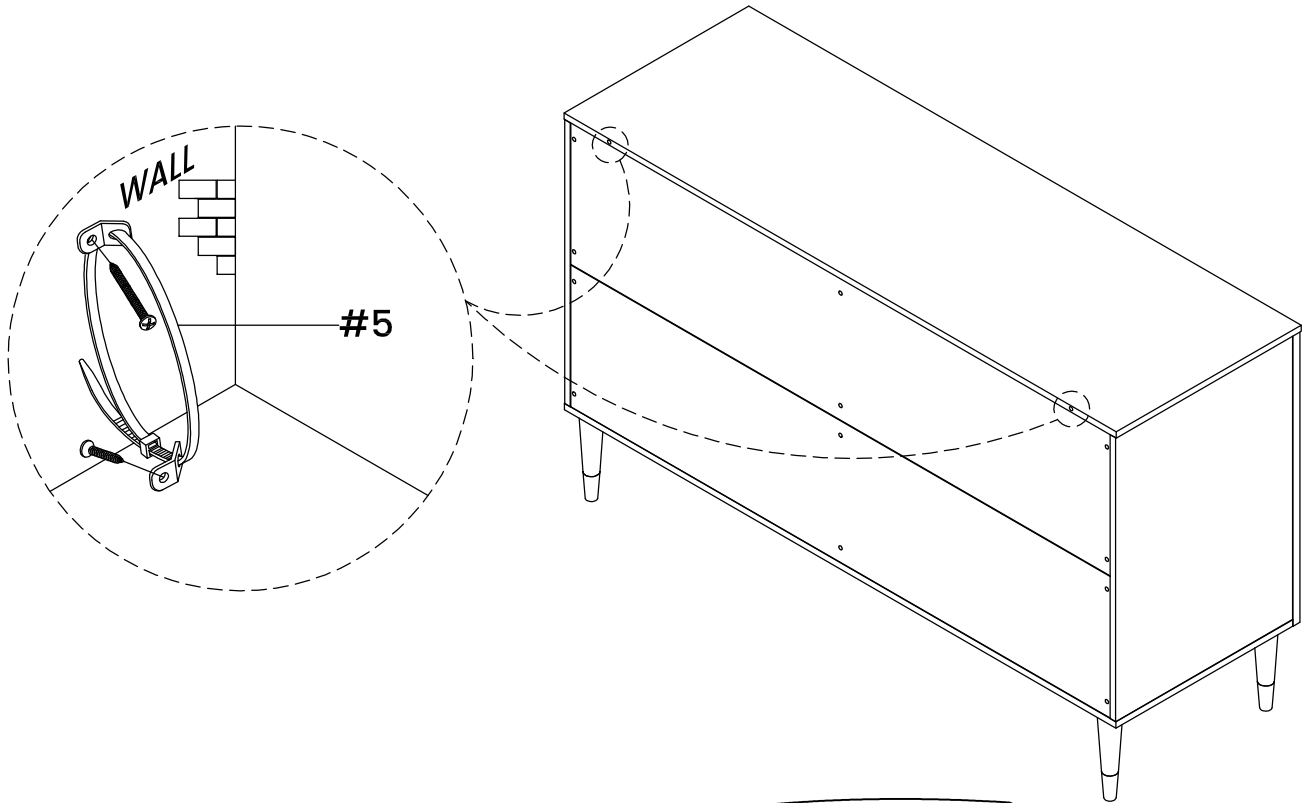






**STEP 9.**

Use a Phillips head screwdriver to fix the screw to the back panel of the dresser and the wall, pull the PVC strip tightly to make sure no gap between the wall and dresser.



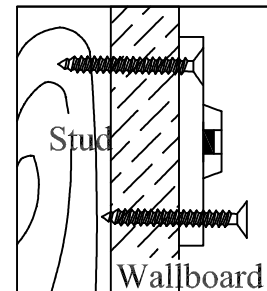
# Furniture Safety Bracket Tip Resistant

- Designed to help prevent furniture tipover.
- Detachable strap allows for easy moving of furniture for cleaning .
- Also helps prevent furniture tipover during minor tremor.

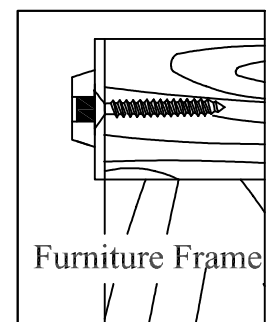
## Installation:

1. Locate a wall stud behind your furniture. Position a bracket on the stud approximately 1" below the top of the furniture. Mark and drill pilot hole into the center of the stud with a 3/32" drill bit. Attach a bracket to the stud with the long screws provided.

2. On the back of the furniture, a bracket will need to be attached to the furniture frame at the top. To do this, temporarily move the furniture into its final position and mark the location of the wall bracket on the furniture frame. Move the furniture away from the wall and place a bracket on the mark. Mark and drill holes for screws with a 3/32" drill bit. Attach the bracket to the furniture with the short screws provided.



3. Move the furniture into its final position, taking care to line up the wall bracket with the furniture bracket. Thread a strap through the bracket as shown in the illustration. Tighten strap until snug. Do not over tighten.

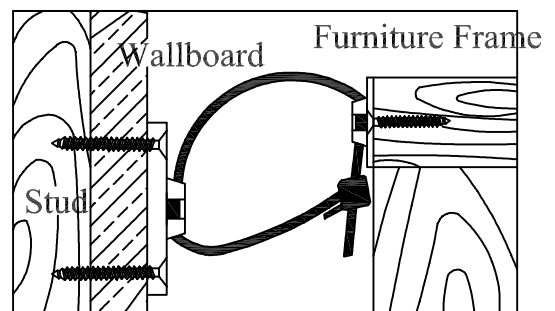


## Important:

Check to be sure the wall bracket is firmly screwed into wall stud, the furniture bracket is firmly attached to the frame, and the strap is snug.

## Caution:

This product is not to be a substitute for proper parental supervision. Manufacturer assumes no liability for improper installation or excessive loads placed on screws brackets or straps.





MANHATTAN  
COMFORT

---

## **WARRANTY POLICY**

All Manhattan Comfort furniture products are warranted, to the original purchaser at the time of purchase and for a period of 30 days thereafter.

Our warranty is limited to new products purchased in factory sealed cartons. This warranty is valid in the United States of America and Canada.

In order to provide you with timely assistance, please thoroughly inspect your furniture for missing or defective parts immediately after opening the carton.

Manhattan Comfort offers a 30-day parts replacement warranty on all items.

Our furniture products are not intended for outdoor use.

### **THE WARRANTY DOES NOT COVER:**

- Defects/damages by improper assembly or disassembly.
- Defects/damages caused by shipping. Claims for damage during transit should be placed immediately to the transportation company.
- Defects/damages caused by inappropriate use of the furniture.



319 Ridge Rd. Dayton, NJ 08810

908-888-0818