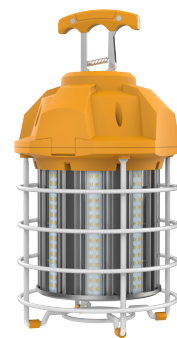


# Temporary Work Light Double End 100w



## DESCRIPTION:

Touch-Plate's Temporary Work Lights were designed to be used as temporary lighting and/or areas that need 360° lighting with a protective cage.

Temporary Work Lights can offer energy savings of 30% or greater over traditional lighting. The Temporary Work Light is optimal for temporary installations and outdoor areas.

## PRODUCT FEATURES:

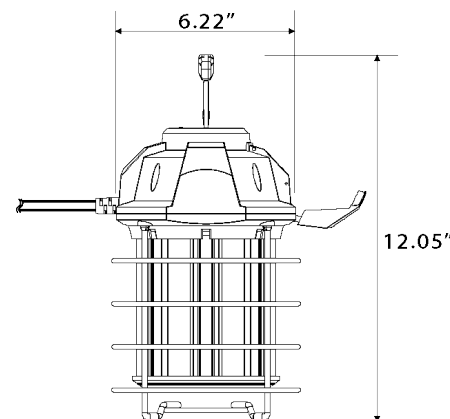
- Cooling heatsink fins, no fans
- >6KV surge protection
- Isolated driver for better heat dissipation
- Linkable (6pcs max)
- Remote Controlled
- Lifetime of 50,000 hrs or greater
- UL Listed (E489971)
- 5 Year Limited Warranty

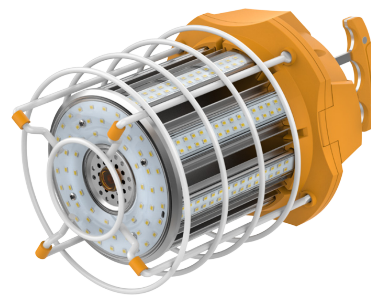
## SPECIFICATIONS:

- Wattage: 100w
- Lumens: 10,500 (approx > 105lm/w)
- Equivalence: 400w HID/HPS/MH
- CRI: >80Ra
- 360° Beam Angle
- IP Rating: IP64
- LED Chips: Epistar SMD 2835
- PF: >0.90

## PHYSICAL PARAMETERS:

- Dimensions
  - Diameter: 6.22"
  - Height: 12.05"
- Weight
  - 5.95lbs





# Temporary Work Light Double End

## ORDERING GUIDE

LED Type XXX-	Lumens - Wattage XXX-XXX-	CCT XX	Voltage X-
<ul style="list-style-type: none"> <li><b>TWD</b> Temporary Work Double</li> </ul>	<ul style="list-style-type: none"> <li><b>105-100</b> 10,500 ^ _ Z 100i</li> </ul>	<ul style="list-style-type: none"> <li><b>35</b> 3500k</li> <li><b>40</b> 4000k</li> <li><b>45</b> 4500k</li> <li><b>50</b> 5000k</li> </ul>	<ul style="list-style-type: none"> <li><b>R</b> 120v</li> </ul>

## INCLUDED ACCESSORIES

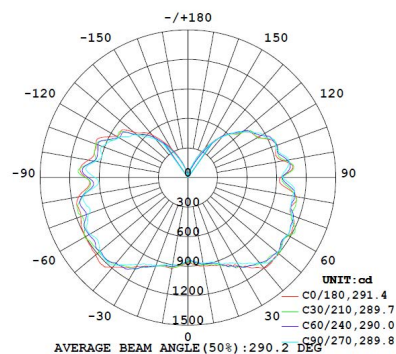
- US 120v plug (5' Long)
- Portable, retractable handle
- Remote Control

## ACCESSORIES (SOLD SEPARATELY)

- Stainless Steel Cable (2f t/.5m)
- Stainless Steel Cable (3f t/1m)
- Stainless Steel Cable (7f t/2m)
- Stainless Steel Cable (10f t/3m)
- Stainless Steel Cable (20f t/6m)
- S Hook Clip (Medium & Large)

## PHOTOMETRIC

LUMINOUS INTENSITY DISTRIBUTION DIAGRAM



# Temporary Work Light Double End

## INSTALLATION INFORMATION

This product must be installed in accordance with National Electrical Code(NEC) and/or applicable local codes, by a qualified electrician.

### **DANGER - RISK OF SHOCK - DISCONNECT POWER BEFORE INSTALLATION**

- Ensure the area where the the LED light will hang can hold up to 60lbs. Open the 'O' hook and affix the LED.
- Plug in the LED and ensure that it works properly.

