

# Platinum Series Shoebox Light

100w



## DESCRIPTION:

Touch-Plate's Parking Lights were designed to offer better security, more lumens, and higher cost savings. Our Parking Lights can offer energy savings of 70% or greater over traditional metal halide or high pressure sodium lighting, our LEDs are optimal for retrofit installations or new construction installations.

## PRODUCT FEATURES:

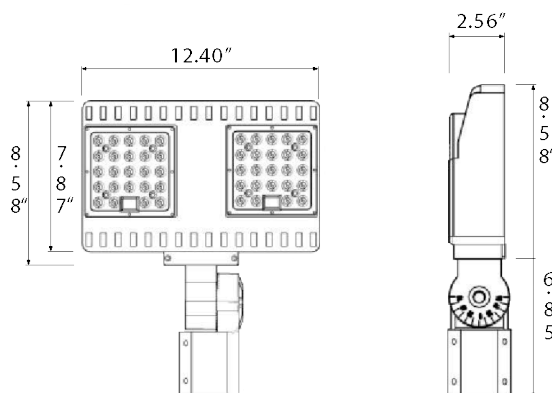
- Die - cast aluminum housing
- Flame retardant; high temperature resistant
- Multiple mounting options
- Lifetime of 50,000 hrs or greater
- UL Listed (E484577)
- DLC LISTING
  - HS-HB100W
- 5 Year Limited Warranty

## SPECIFICATIONS:

- Wattage: 100w
- Lumens: 17,500 (approx > 175lm/w)
- Equivalence: 250w HID/HPS/MH
- IP Rating: IP66
- LED Chips: Philips 5050
- PF: >0.95

## PHYSICAL PARAMETERS:

- Dimensions
  - Length: 7.87"
  - Width: 12.40"
  - Depth: 2.56"
- Weight
  - 6.17lbs





# Platinum Series Shoebox Parking Light

## ORDERING GUIDE

| LED Type<br>XXX-   | Lumens - Wattage<br>XXX-XXX-  | CCT<br>XX   | Voltage<br>X-  | Color<br>X   | Mounting Style<br>X   |
|--|---|---|--|--|---|
| <ul style="list-style-type: none"> <li><b>PSB</b><br/>Parking<br/>Shoebox</li> </ul> | <ul style="list-style-type: none"> <li><b>175-100</b><br/>17,500^_ Ž100i</li> </ul> | <ul style="list-style-type: none"> <li><b>30</b><br/>3000k</li> <li><b>40</b><br/>4000k</li> <li><b>50</b><br/>5000k</li> </ul> | <ul style="list-style-type: none"> <li><b>U</b><br/>120-277v</li> <li><b>I</b><br/>200-480v</li> </ul> | <ul style="list-style-type: none"> <li><b>B</b><br/>Black</li> <li><b>Z</b><br/>Bronze</li> <li><b>G</b><br/>Gray</li> <li><b>W</b><br/>White</li> </ul> | <ul style="list-style-type: none"> <li><b>D</b><br/>Direct Mount</li> <li><b>F</b><br/>Slip-Fit</li> <li><b>T</b><br/>Trunnion</li> </ul> |

## ADDITIONAL ORDERING OPTIONS

(specified at time of order)

### Beam Angle

- Type III (Standard)
- Type IV
- Type V

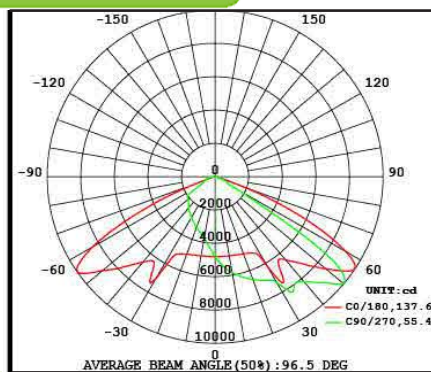
## ACCESSORIES

(specified at time of order)

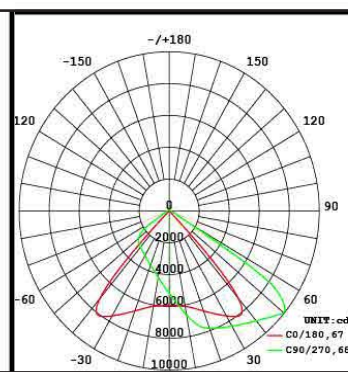
- Photocell Control (120-277v)
- Photocell Control (480v)
- Short Cap
- Surge Protection

## PHOTOMETRICS

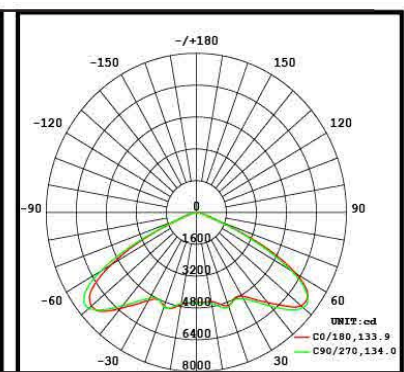
Type III



Type IV



Type V



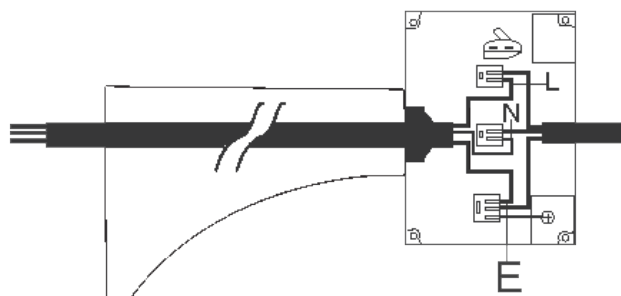
# Platinum Series Shoebox Parking Light

## INSTALLATION INFORMATION (WIRING)

This product must be installed in accordance with National Electrical Code(NEC) and/or applicable local codes, by a qualified electrician.

### **DANGER - RISK OF SHOCK - DISCONNECT POWER BEFORE INSTALLATION**

- Make the wiring connections: Black/Brown (Line), White/Blue (Neutral), & Green/Yellow-Green (Ground).

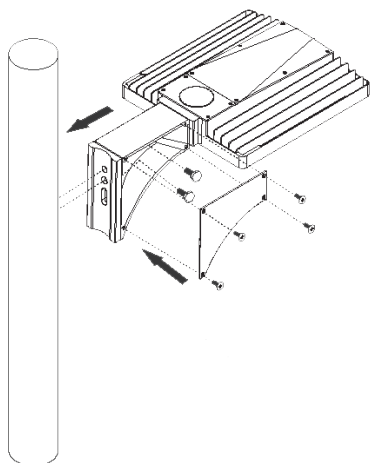


## INSTALLATION INFORMATION

This product must be installed in accordance with National Electrical Code(NEC) and/or applicable local codes, by a qualified electrician.

### Direct Mount

- Remove the side cover of the fixture.
- Affix the LED fixture with screws from the inside of the fixture to the pole.
- Replace the side cover of the fixture.



### Slip-Fit Mount

- Turn the slip fit to the correct angle.
- Slip the fixture onto the post and then secure the fixture with the 4 screws to the post.

