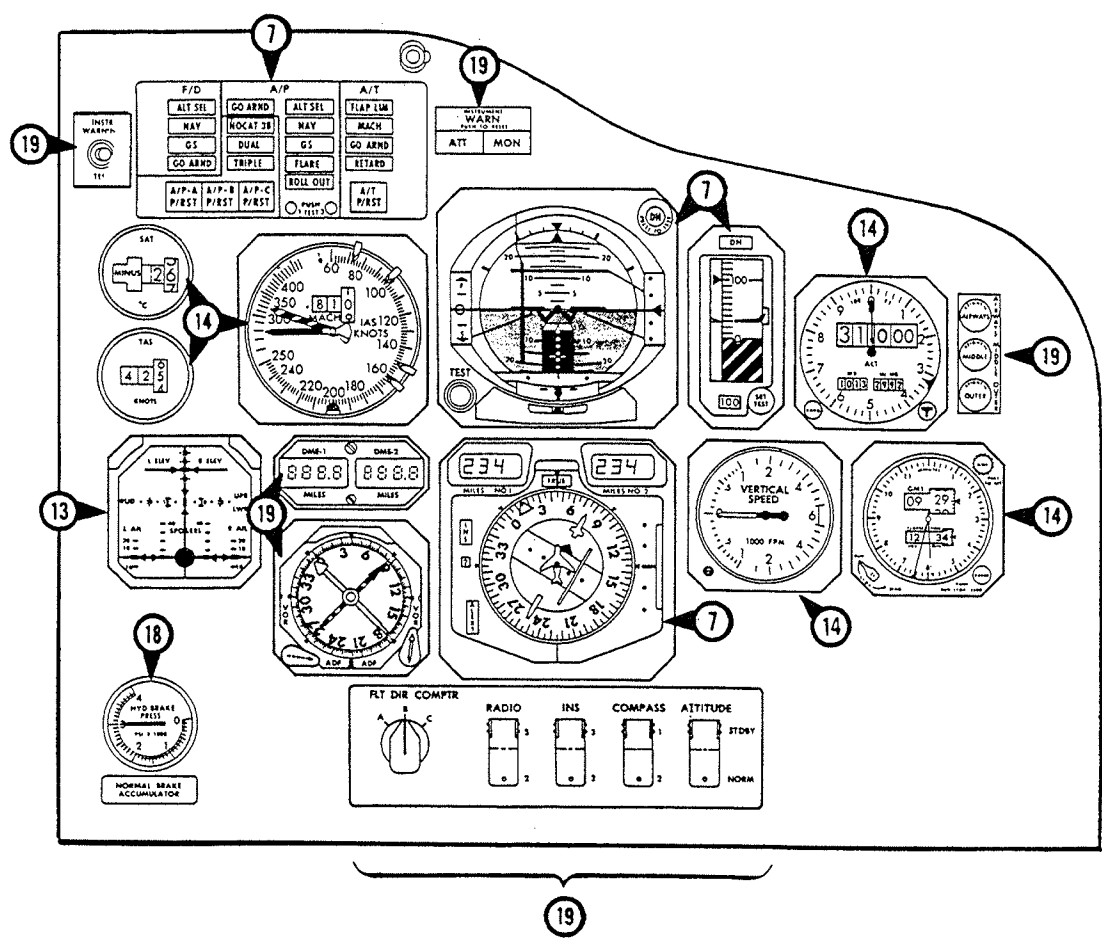


Circled numbers refer to chapters where information on the item may be found.

The controls, panels, and indicators shown in this chapter are representative of installed units and may not exactly reflect the details of the latest configuration. Refer to the corresponding chapter under system descriptions for current information.

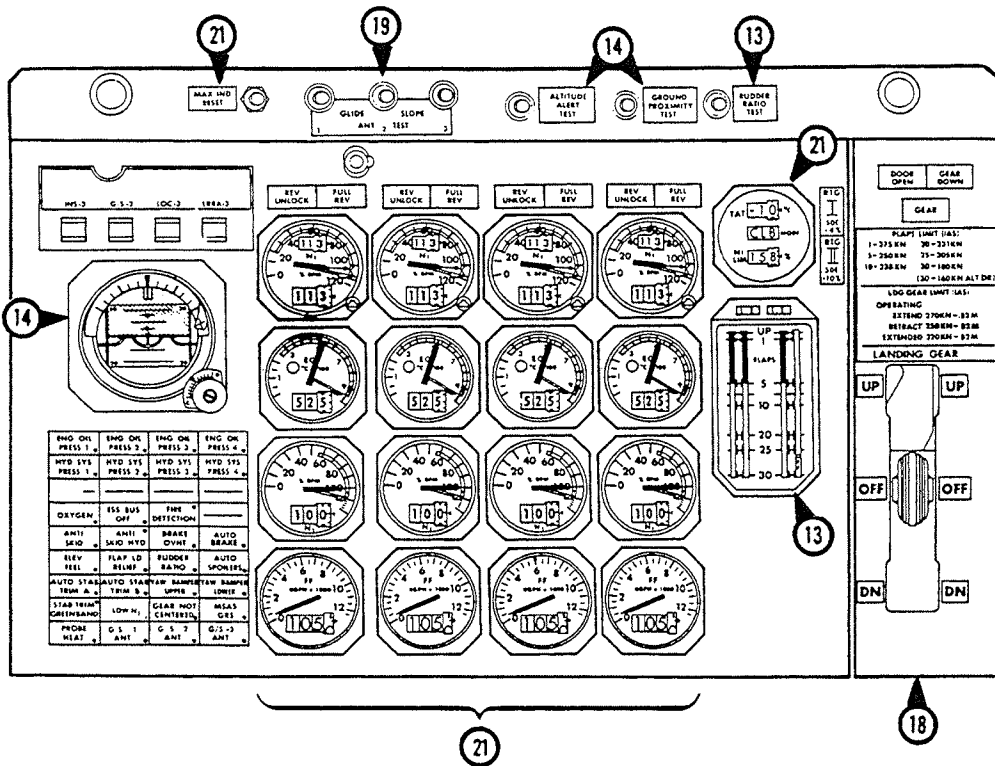
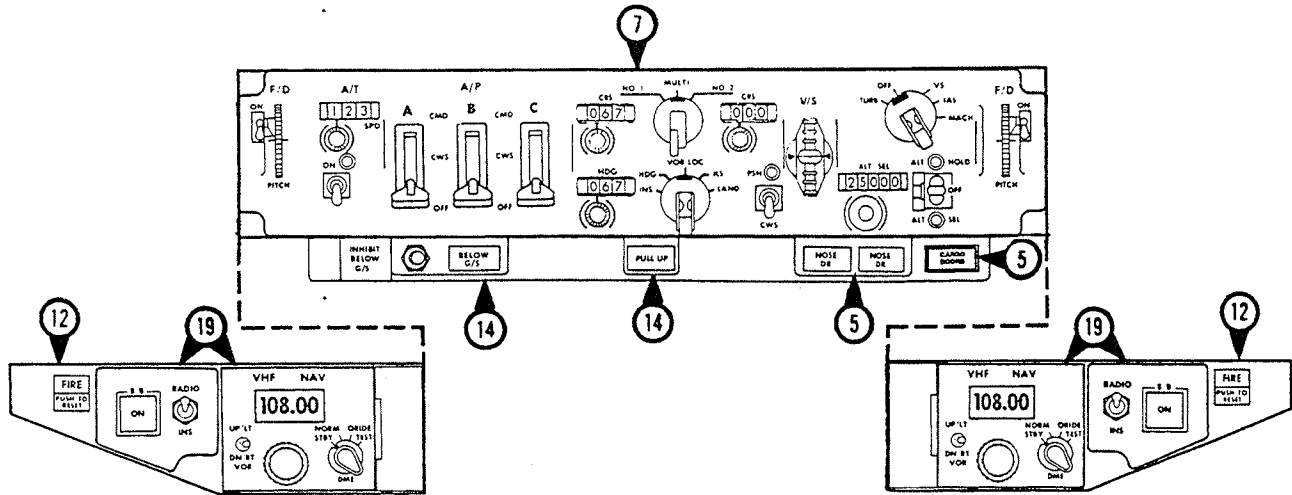
**CAPTAINS' INSTRUMENT PANEL**



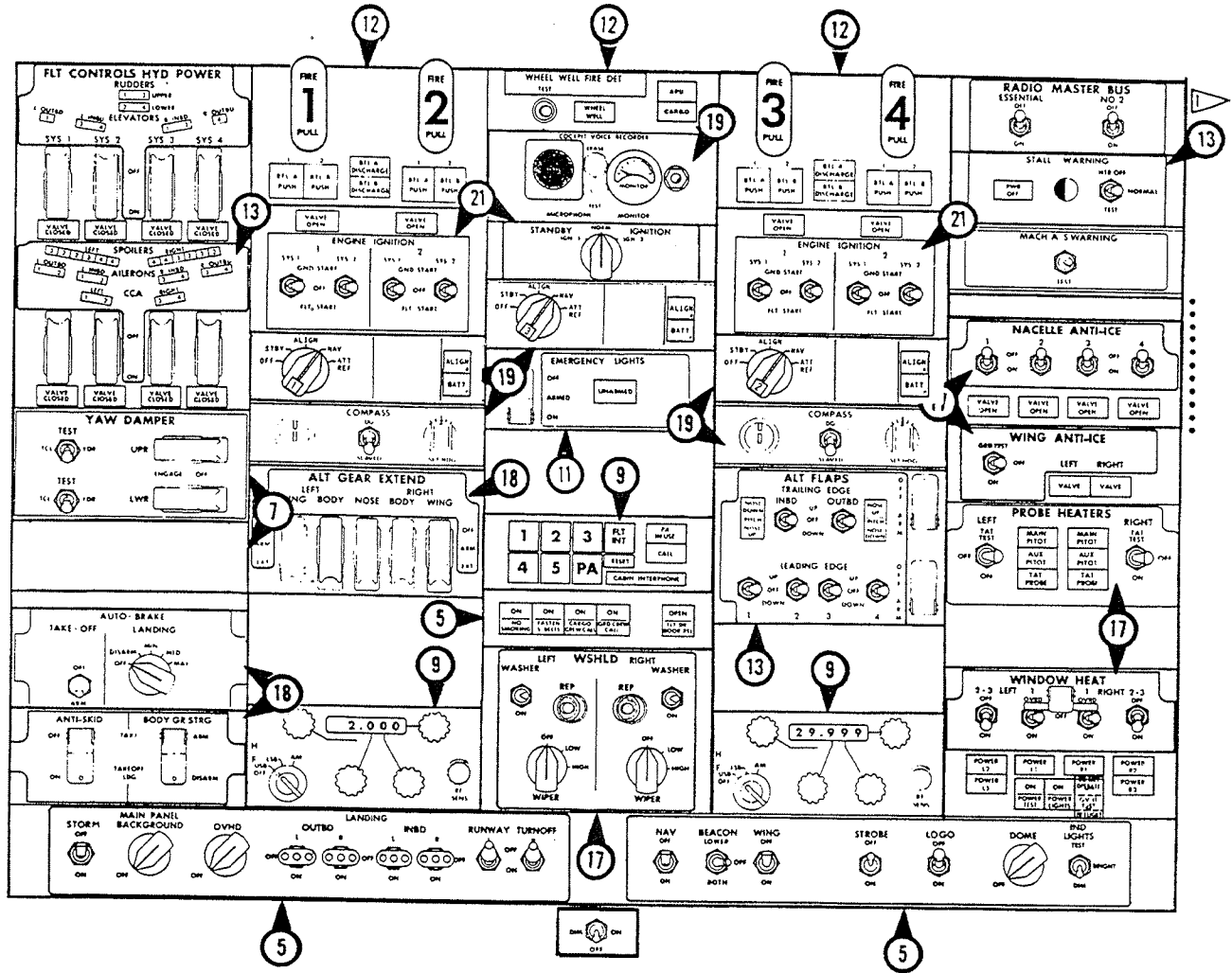
FIRST OFFICER'S INSTRUMENT PANEL


# BOEING 747 OPERATIONS MANUAL

## AIRPLANE GENERAL COCKPIT PANELS

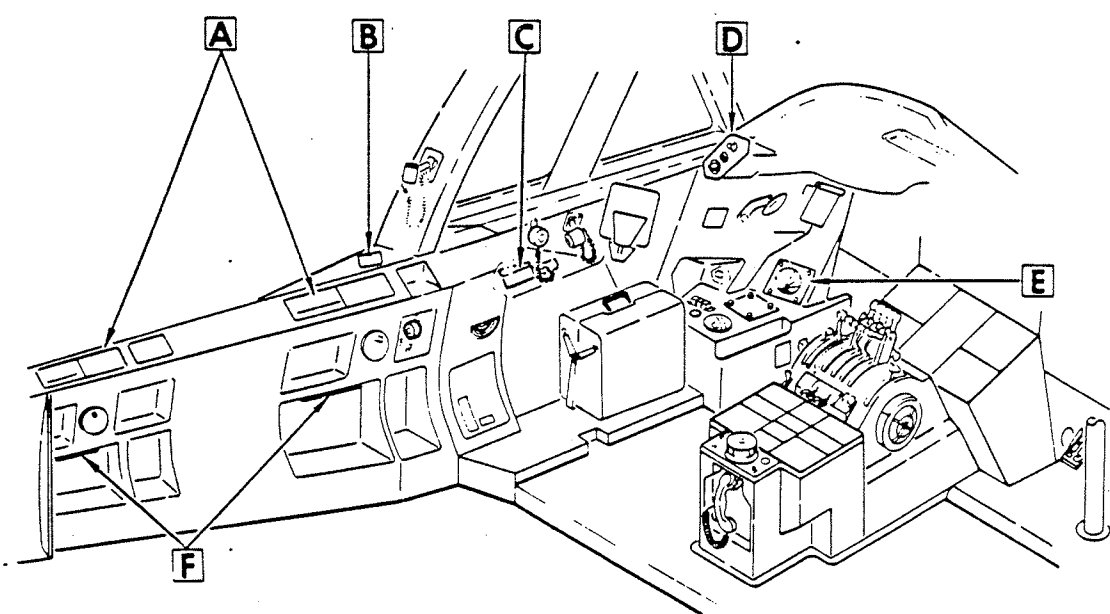
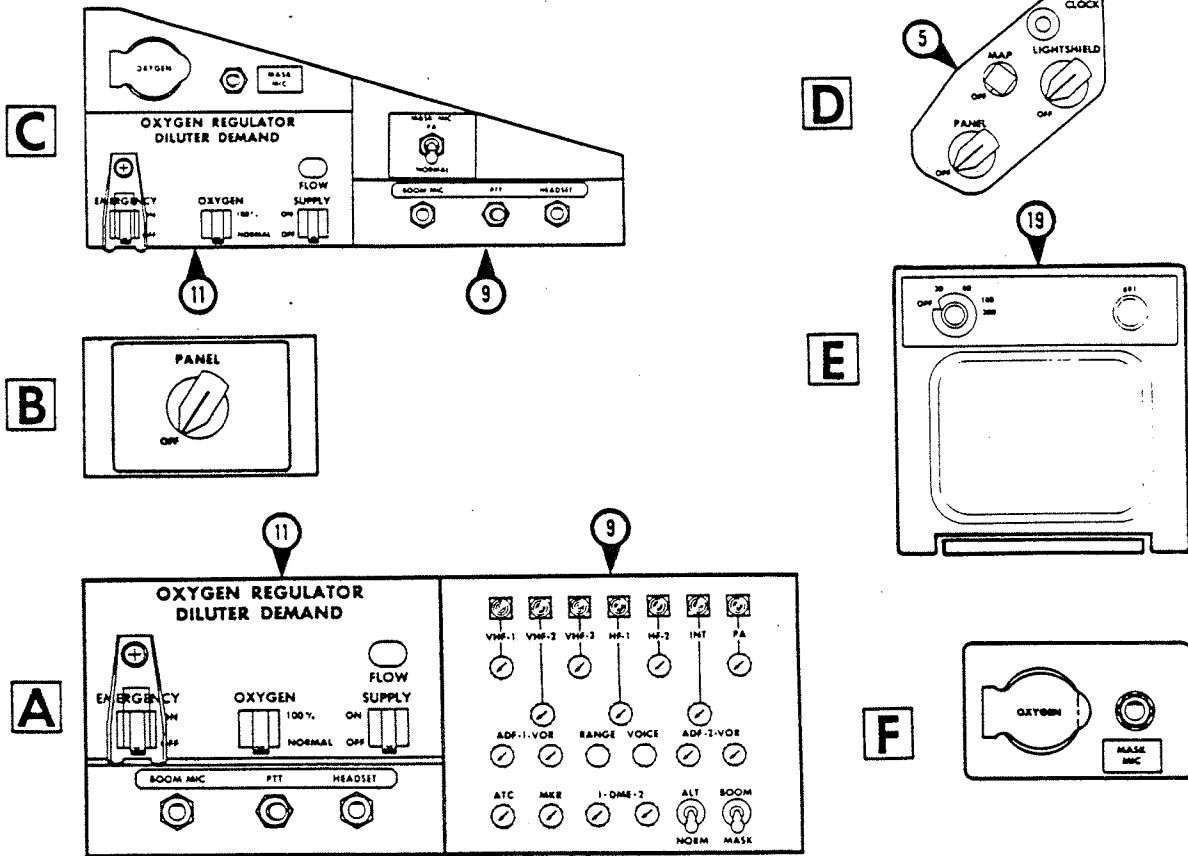


PILOTS' CENTER INSTRUMENT PANEL & LIGHTSHIELD



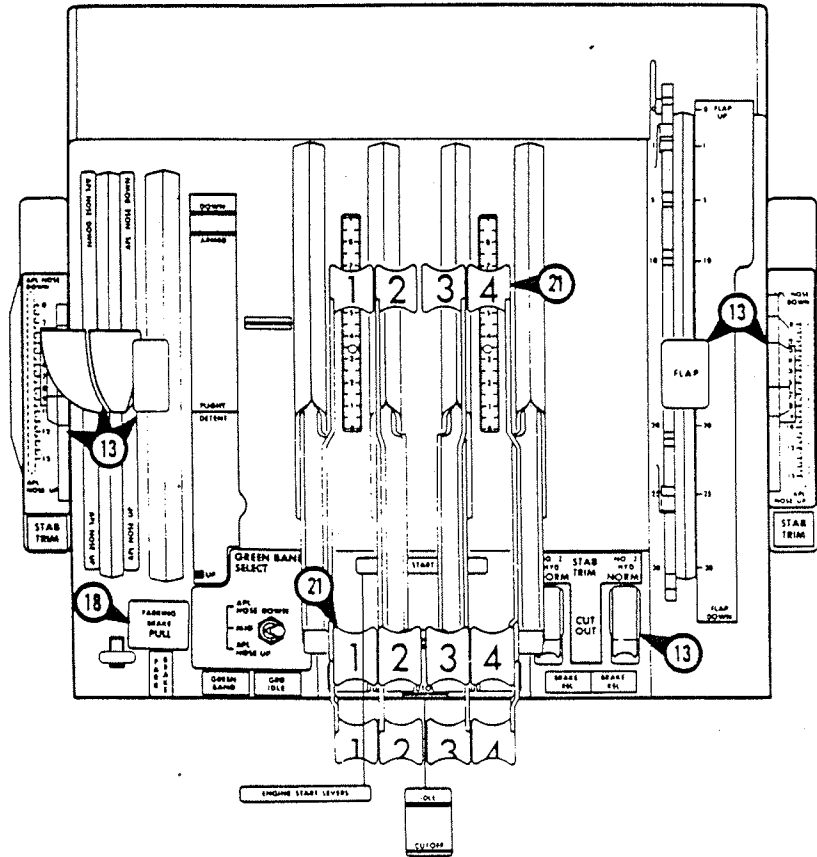
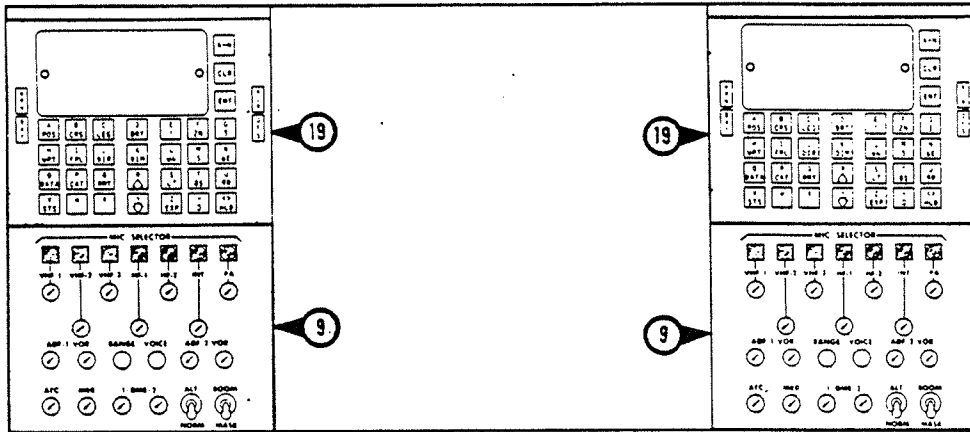
 As installed

**PILOTS' OVERHEAD PANEL**



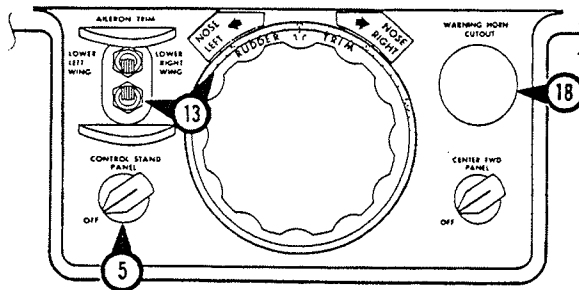
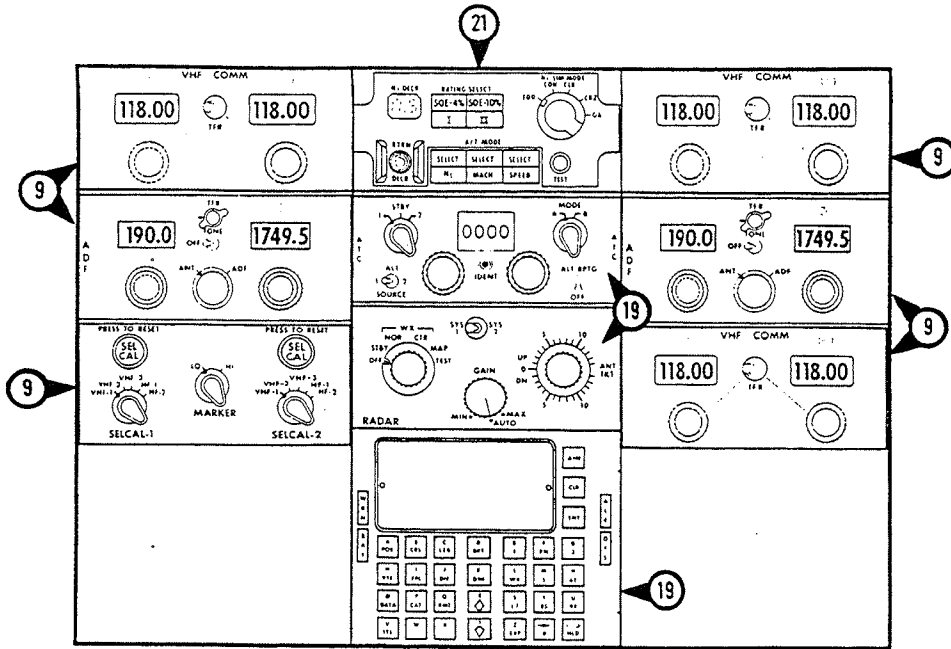
Circled numbers refer to chapters where information on the item may be found.

**CAPTAIN'S FIRST OFFICER'S AUXILIARY PANELS**



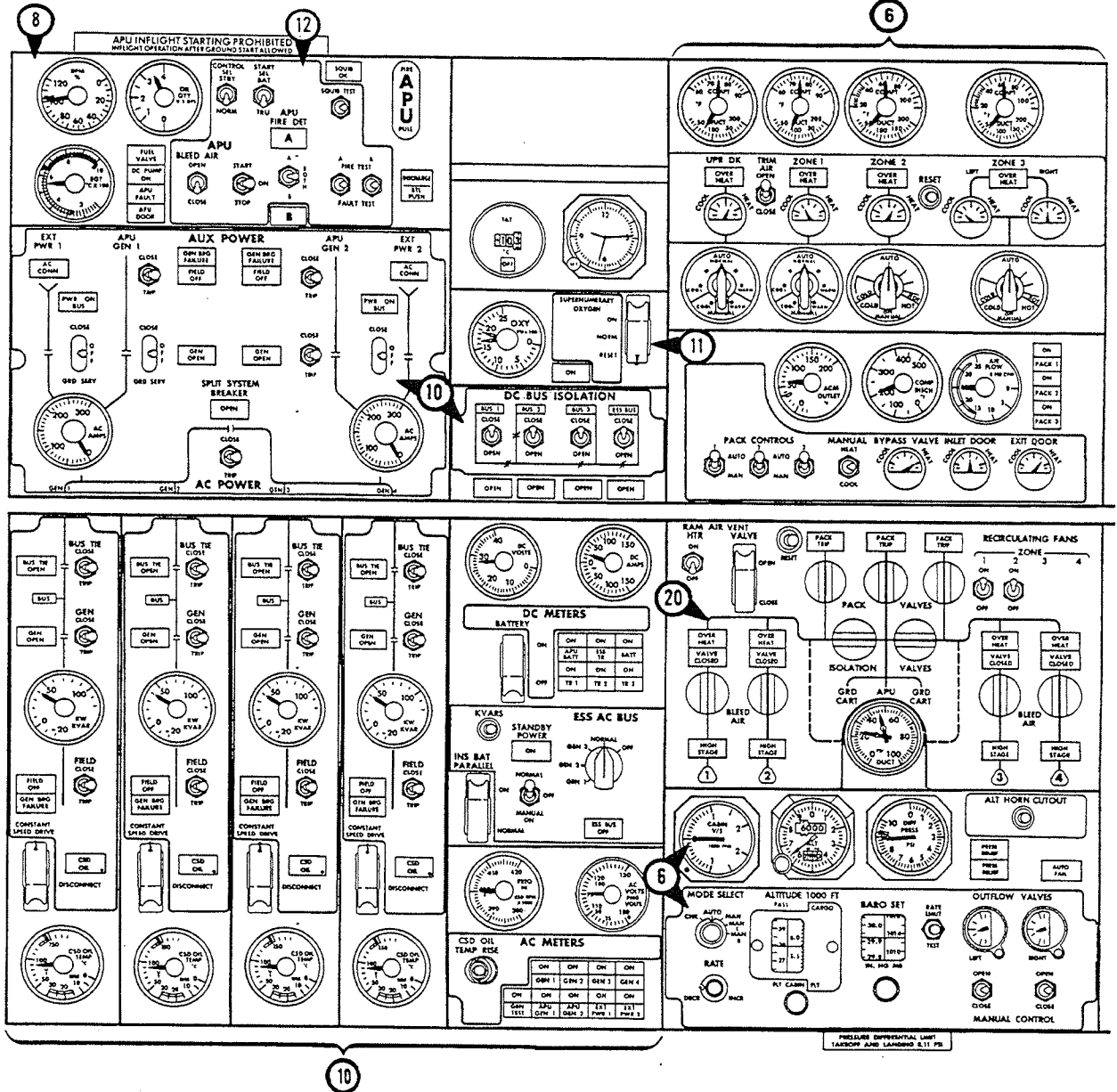
Circled numbers refer to chapters where information on the item may be found.

PILOTS' CONTROL STAND (UPPER HALF)



Circled numbers refer to chapters where information on the item may be found.

**PILOTS' CONTROL STAND (LOWER HALF)**

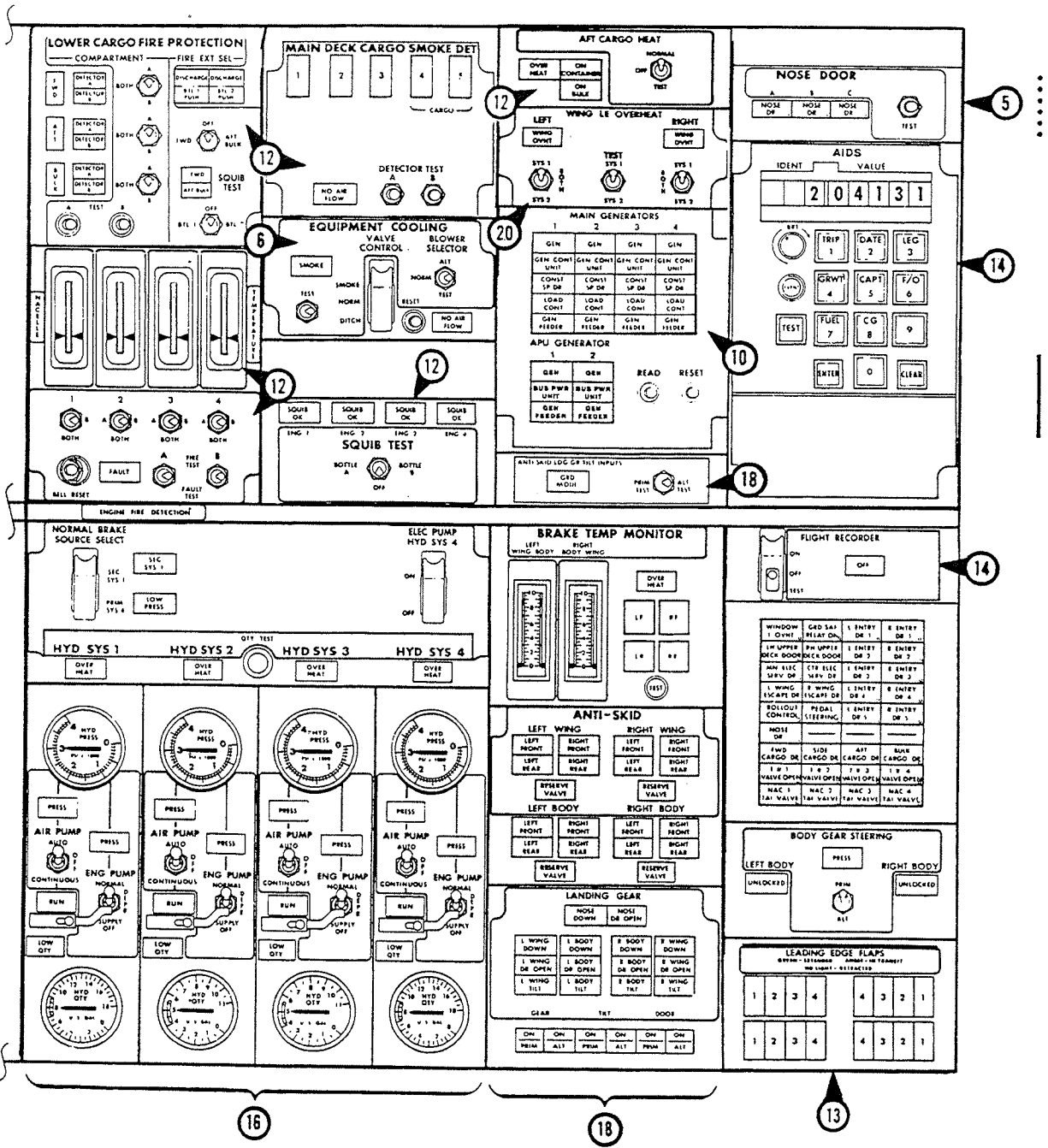


FLIGHT ENGINEER'S INSTRUMENT PANEL — UPPER PANELS — LEFT



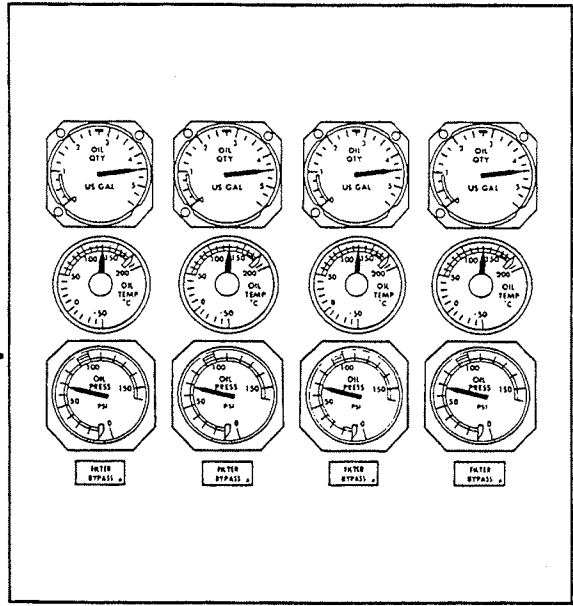
# BOEING 747 OPERATIONS MANUAL

## AIRPLANE GENERAL COCKPIT PANELS

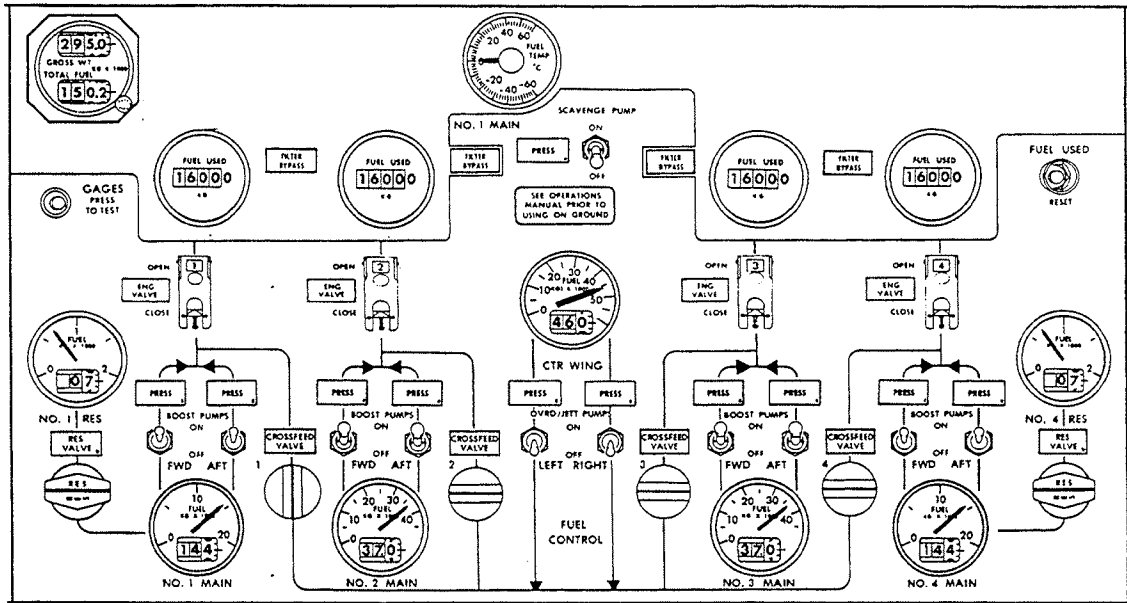


FLIGHT ENGINEER'S INSTRUMENT PANEL – UPPER PANELS – RIGHT

21

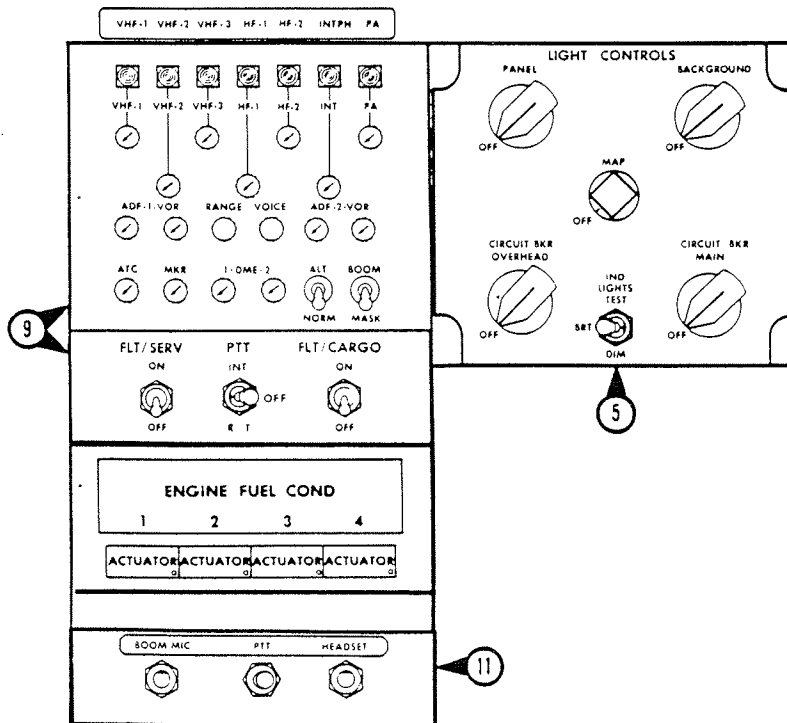
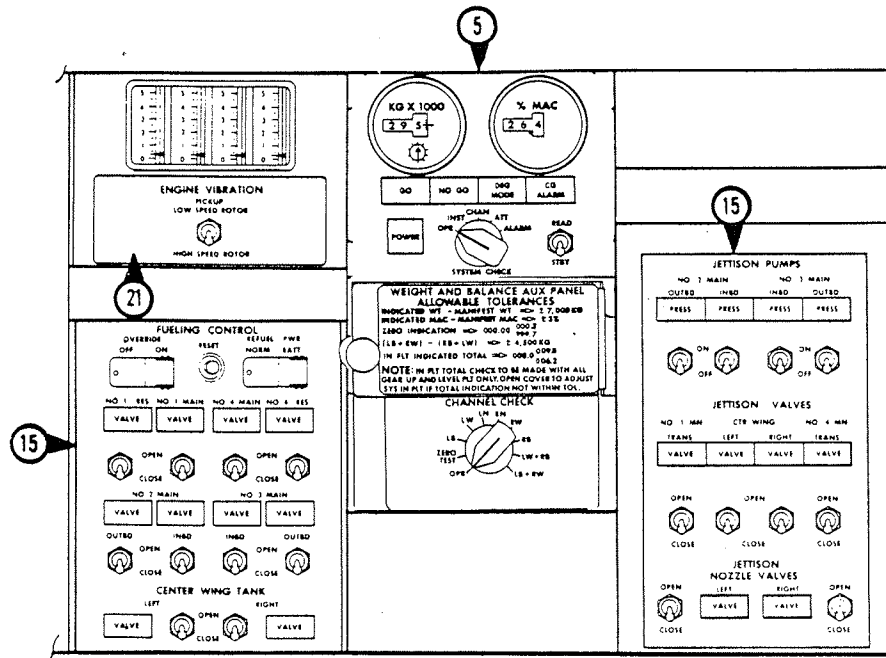


15



Circled numbers refer to chapters where information on the item may be found.

FLIGHT ENGINEER'S LOWER INSTRUMENT PANELS



Circled numbers refer to chapters where information on the item may be found.

**FLIGHT ENGINEER'S LOWER INSTRUMENT PANELS (CONT)**