

## PARALLEL & RIGHT-ANGLE LARGE INDUSTRIAL GEARBOXES

PARAMAX 9000 – Engineered and produced in Europe



All technical and commercial competences bundled in one location



Engineering and application knowledge in Europe



Local production to ensure short delivery time



Short ways to customers



Quick Technical Support and Service



Enable rush deliveries for exceptional circumstances

# PARAMAX 9000

Robust gearbox series for industrial applications with fine torque grading, for all purposes in machinery and plant construction

## Technical Information

<b>15 - 75 kNm</b> Output Torque	<b>8 sizes</b> Local Designed Range	<b>2/3/4-stages</b> Parallel & Right-angle Gearboxes	<b>6.3 - 500</b> Reduction Ratios
-------------------------------------	--	---	--------------------------------------

Size Range	9050	9055	9060	9065	9070	9075	9080	9085
Nominal Output Torque	15 kNm	20 kNm	24 kNm	31 kNm	38 kNm	48 kNm	59 kNm	75 kNm

## State of the Art Technology

### AVAILABLE SPLIT HOUSING

Offered in large frame sizes allowing easy maintenance. Large inspection port provides a window for gear inspection. Standard gray cast iron with ductile and fabricated steel options

### CASE CARBURIZED GEARING

High precision carburized gearing with optimized pressure angle to offer wide contact pattern and high strength rating

### TACONITE SEAL

Option features a dual layer oil and grease sealing system

### HIGH TENSILE SHAFT

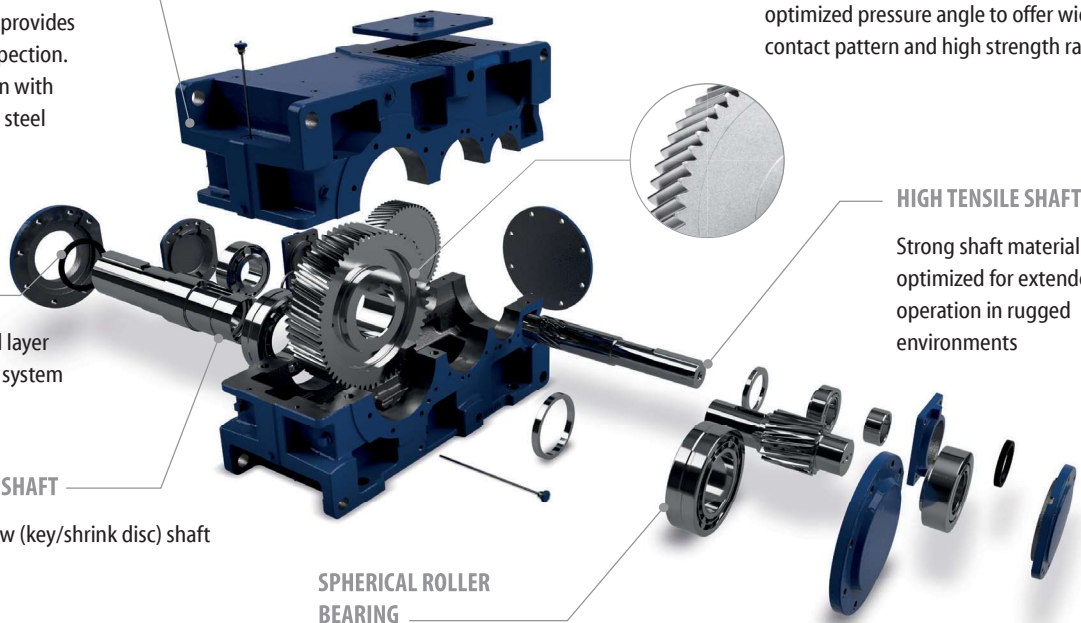
Strong shaft material optimized for extended operation in rugged environments

### SLOW SPEED SHAFT

Solid or hollow (key/shrink disc) shaft

### SPHERICAL ROLLER BEARING

High capacity bearings increase load capacity without increasing lead-time



Other accessories: Backstop, Cooling Fan, Resistance Temperature Detector, Coupling Guards & more.

## Applications

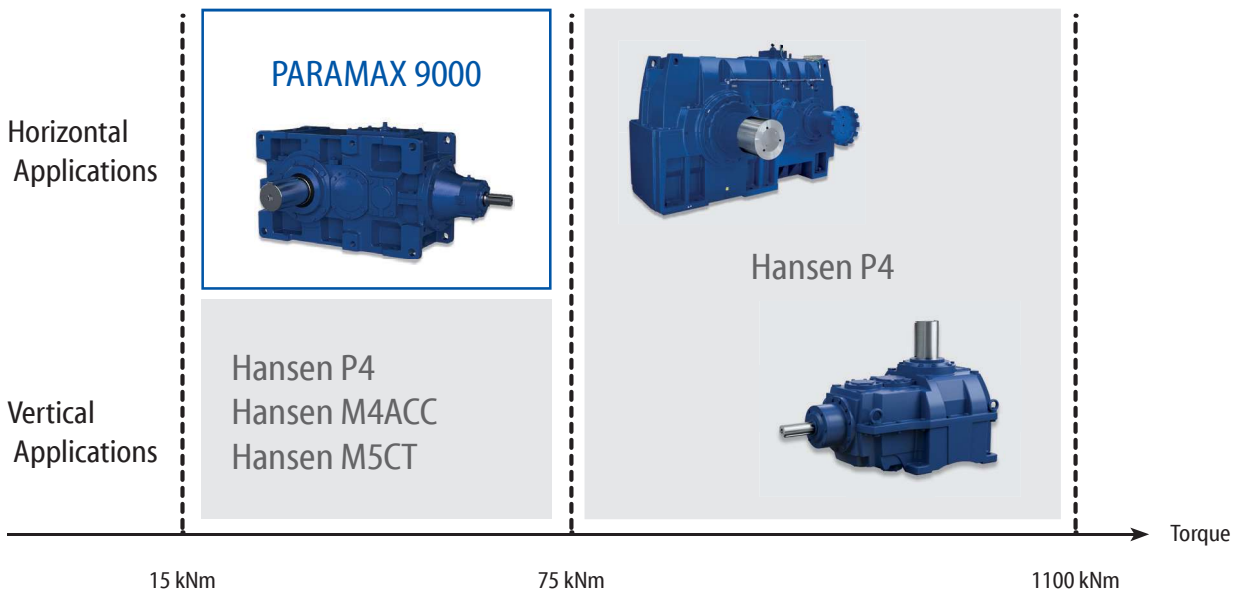
- Conveyors
- Material handling
- Cranes
- Mills
- Crushers
- Dryers
- Horizontal mixers

## Industries

- Sugar
- Cement
- Steel
- Mining
- Pulp and paper



Sumitomo Drive Technologies Gearbox Range:  
Best product to fit your application



- Perfect line up of PARAMAX range size 9050 to 9085 with the Hansen P4 range for bigger horizontal and vertical applications
- As a result Sumitomo Drive Technologies can offer a complete range of helical- and helical bevel gear units from 15 to 1 100 kNm in EMEA

# Worldwide locations

## World Headquarters JAPAN

Sumitomo Heavy Industries Ltd.  
PTC Group  
Think Park Tower, 1-1  
Osaki 2-chome  
Shinagawa-ku, Tokyo 141-6025, Japan  
www.cyclo.shi.co.jp  
www.sumitomodrive.com

## Headquarters & Manufacturing CHINA

Sumitomo (SHI) Cyclo Drive China, Ltd. Shanghai Branch  
10F, SMEG Plaza, No.1386  
Hongqiao Road  
Shanghai, China (P.C.200336)

## Headquarters & Manufacturing EUROPE

### Germany

Sumitomo (SHI) Cyclo Drive Germany GmbH  
European Headquarters  
Cyclostraße 92  
85229 Markt Indersdorf  
Germany  
Tel. +49 8136 66-0  
www.sumitomodrive.com

## Our Subsidiaries & Sales Offices in EUROPE, MIDDLE EAST, AFRICA & INDIA

### Austria

Sumitomo (SHI) Cyclo Drive Germany GmbH  
Sales Office Austria  
Gruentalerstraße 30 A  
4020 Linz, Austria  
Tel. +43 732 330958

### Belgium, Netherlands, Luxembourg

Hansen Industrial Transmissions NV  
Leonardo da Vincilaan 1-3  
2650 Edegem, Belgium  
Tel. +32 3 45012-11

### France

SM-Cyclo France S.A.S.  
8 Avenue Christian Doppler  
77700 Serris, France  
Tel. +33 1 64171717

### India

Sumi-Cyclo Drive India Pvt. Ltd.  
Gat No. 186, Global Raison Industrial Park  
Alandi Markal Road, Fulgao  
Pune 411 033, India  
Tel. +91 20 6674 2900

### Italy

SM-Cyclo Italy S.R.L.  
Via dell'Artigianato 23  
20010 Cornaredo (MI), Italy  
Tel. +39 2 93481101

### Middle East

Hansen Industrial Transmissions NV  
Leonardo da Vincilaan 1-3  
2650 Edegem, Belgium  
Tel. +32 3 45012-11

## Headquarters & Manufacturing AMERICAS

Sumitomo Drive Technologies  
Sumitomo Machinery Corp. of America  
4200 Holland Boulevard  
Chesapeake, VA 23323, USA  
www.sumitomodrive.com

## Headquarters ASIA PACIFIC

Sumitomo (SHI) Cyclo Drive Asia Pacific Pte. Ltd.  
15 Kwong Min Road  
Singapore, 628718 Singapore

### Belgium

Hansen Industrial Transmissions NV  
Leonardo da Vincilaan 1-3  
2650 Edegem,  
Belgium  
Tel. +32 3450 1211  
www.sumitomodrive.com

### Sweden, Denmark, Norway, Finland, Estonia, Latvia – NORDIC

SM-Cyclo UK, Ltd.  
Unit 29, Bergen Way,  
Sutton Fields Industrial Estate  
Kingston upon Hull  
HU7 0YQ, East Yorkshire, United Kingdom  
Tel. +44 1482 790340

### Spain

SIT Sociedad Industrial de Transmisiones S.A.  
C/Gran Vía nº 63 bis  
Planta Primera, Oficina 1B  
48011 Bilbao – Vizcaya, Spain  
Tel. +34 944 805389

### Spain

SIT Sociedad Industrial de Transmisiones S.A.  
Paseo Ubarburu, 67  
Polígono 27 – Martutene  
20014 San Sebastián  
Tel. +34 943 457200

### South Africa, Sub-Saharan Africa – Sales Partner

BMG BEARING MAN GROUP (PTY) LTD  
PO Box 33431; Jeppestown  
Johannesburg 2043; South Africa  
Tel. +27 11 620 1615

### Turkey

Sumitomo Cyclo Güç Aktarım Sis. Tic. Ltd.Sti.  
Barbaros Mh. Çiğdem Sk. Ağaoğlu My Office İş Mrk.  
No:1 Kat:4 D.18 34746 Ataşehir / Istanbul – Turkey  
Tel. +90 216 250 6069

### United Kingdom

SM-Cyclo UK, Ltd.  
Unit 29, Bergen Way,  
Sutton Fields Industrial Estate  
Kingston upon Hull  
HU7 0YQ, East Yorkshire, United Kingdom  
Tel. +44 1482 790340