

Bronze Series Flood Light 70w & 100w



DESCRIPTION:

Touch-Plate's Flood Lights are designed to provide higher lumens and even light distribution. Our Flood Lights can offer energy savings of 70% or greater over traditional metal halide or high pressure sodium lighting. Our Flood Lights are optimal for retrofit installations or new construction installations.

PRODUCT FEATURES:

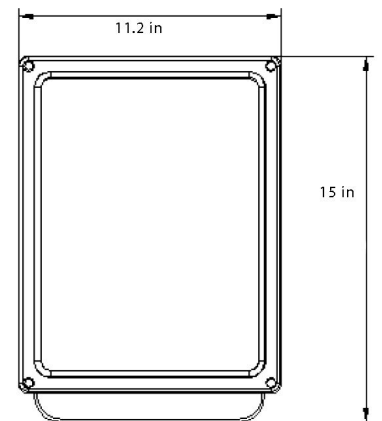
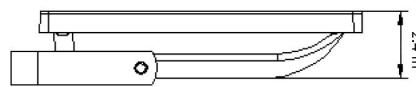
- Slim Design
- Uniform Light
- Die cast aluminum housing + Tempered Glass
- 270° rotate bracket
- Lifetime of 50,000 hrs or greater
- UL Listed (E470400)
- DLC Listed
 - 70w (FLXW70)
 - 100w (FLXW100)
- ETL (5001457)
- 5 Year Limited Warranty

SPECIFICATIONS:

- Wattage: 70w & 100w
- Lumens: 7,700 / 11,000 (approx > 110lm/w)
- Equivalence: 150w & 200w HID/HPS/MH
- Color: Black
- Beam Angle: 120°
- CRI: >70Ra
- IP Rating: IP65
- LED Chips: SMD 3030
- PF: >0.90

PHYSICAL PARAMETERS:

- Dimensions
 - Length: 15.0"
 - Width: 11.2"
 - Height: 2.4"
- Weight
 - 4.6lbs (70w)
 - 5.7lbs (100w)





Bronze Series Flood Light

ORDERING GUIDE

LED Type XXX-	Lumens - Wattage XXX-XXX-	CCT XX	Voltage X
<ul style="list-style-type: none"> FLD Flood Light 	<ul style="list-style-type: none"> 077-070 7,700lm - 70w 110-100 11,000lm - 100w 	<ul style="list-style-type: none"> 40 4000k 50 5000k 60 6000k 	<ul style="list-style-type: none"> U 120-277v

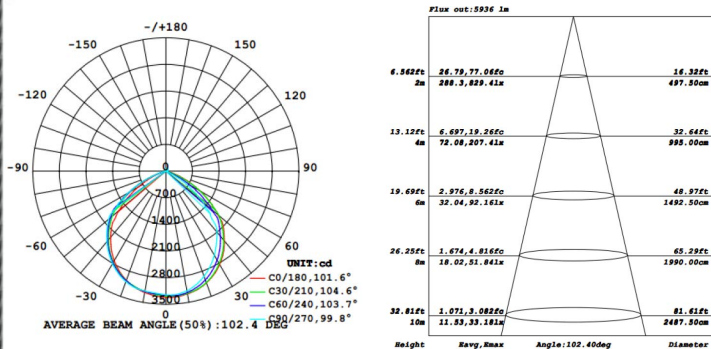
ACCESSORIES

(specified at time of order)

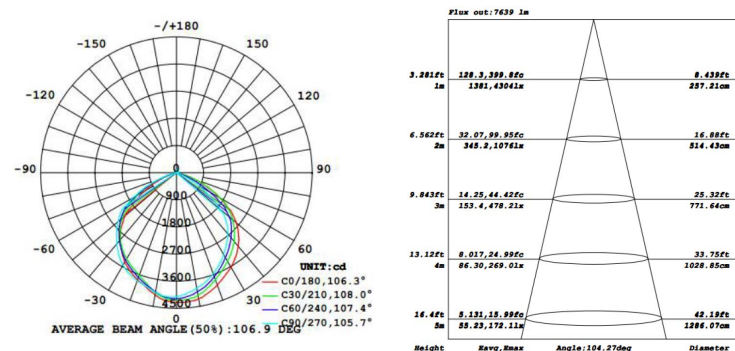
- Stainless Steel Cable: 2ft / 3ft / 7ft / 10ft / 20ft
- Twist Lock Plug: 3ft / 10ft
- No Plug Extension: 3ft / 10ft
- USA 3 Prong Plug: 7ft
- S Hook Clip: Medium / Large
- Connection Box: Small / Large
- Connector: 3-Pin Splice

PHOTOMETRIC

70w



100w



Bronze Series Flood Light

INSTALLATION INFORMATION (WIRING)

This product must be installed in accordance with National Electrical Code(NEC) and/or applicable local codes, by a qualified electrician.

DANGER - RISK OF SHOCK - DISCONNECT POWER BEFORE INSTALLATION

- Flood Lights can be ordered with a specified plug or without a plug
- Make the necessary 'HOT' (Black or Brown), 'Neutral' (White or Blue), and 'Ground' (Green) connections in an approved junction box.

INSTALLATION INFORMATION

- If you are mounting fixture to brick, concrete or mortar; you will need to pre-drill the holes first.
- Use M6x80mm screws and washers through the two outer holes to mount fixture.

