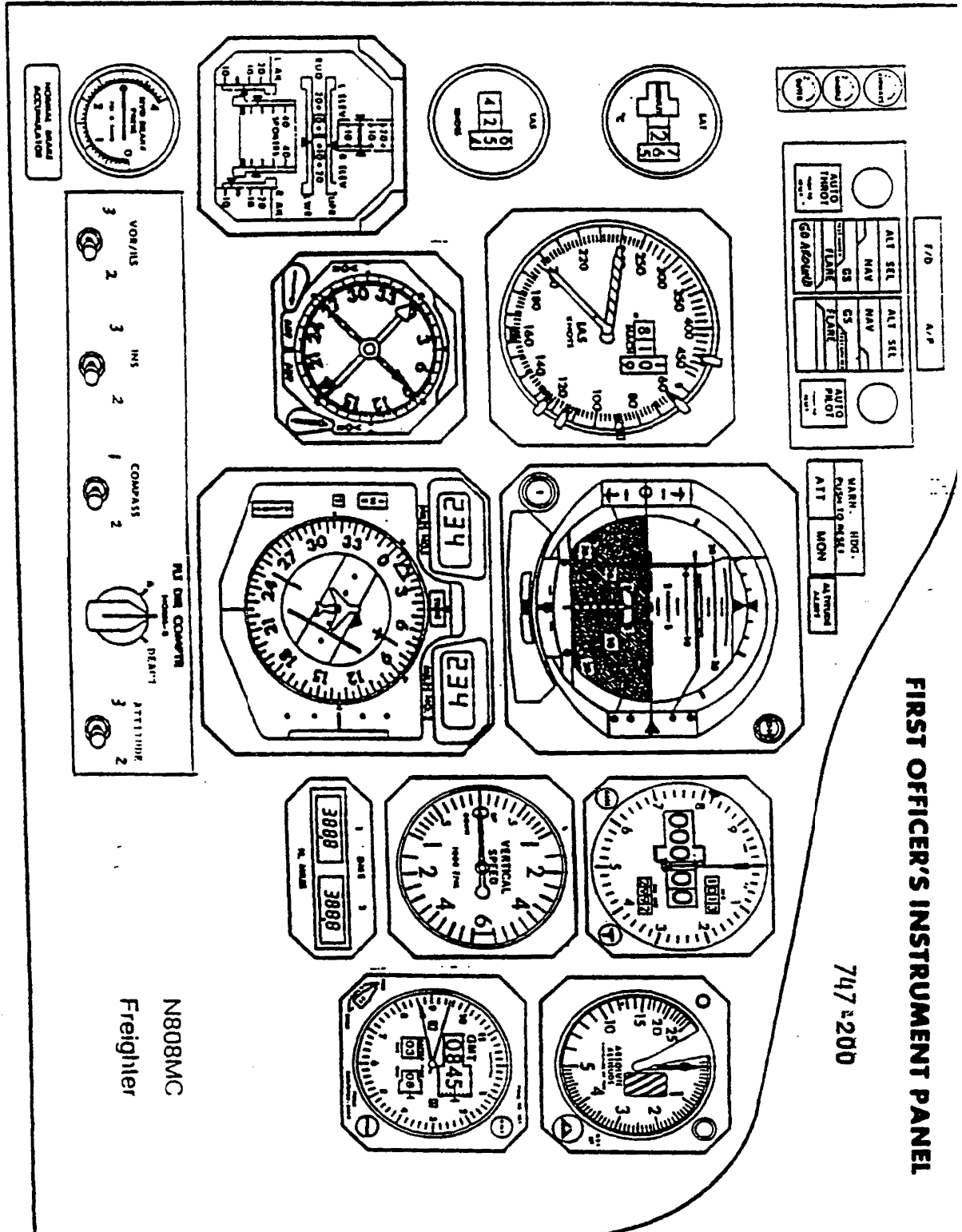


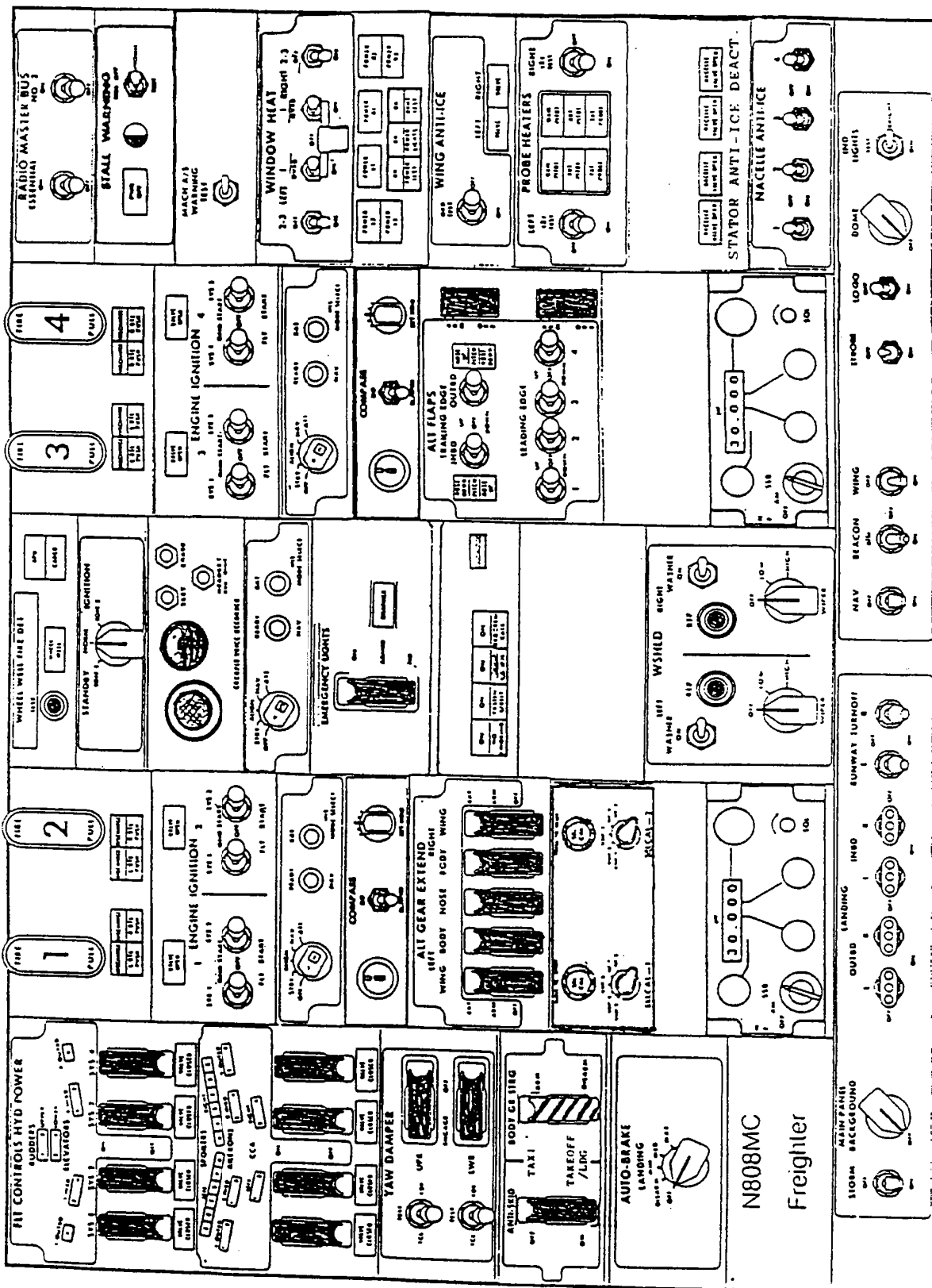
CAPTAIN'S INSTRUMENT PANEL

747-200

N808MC
Freighter

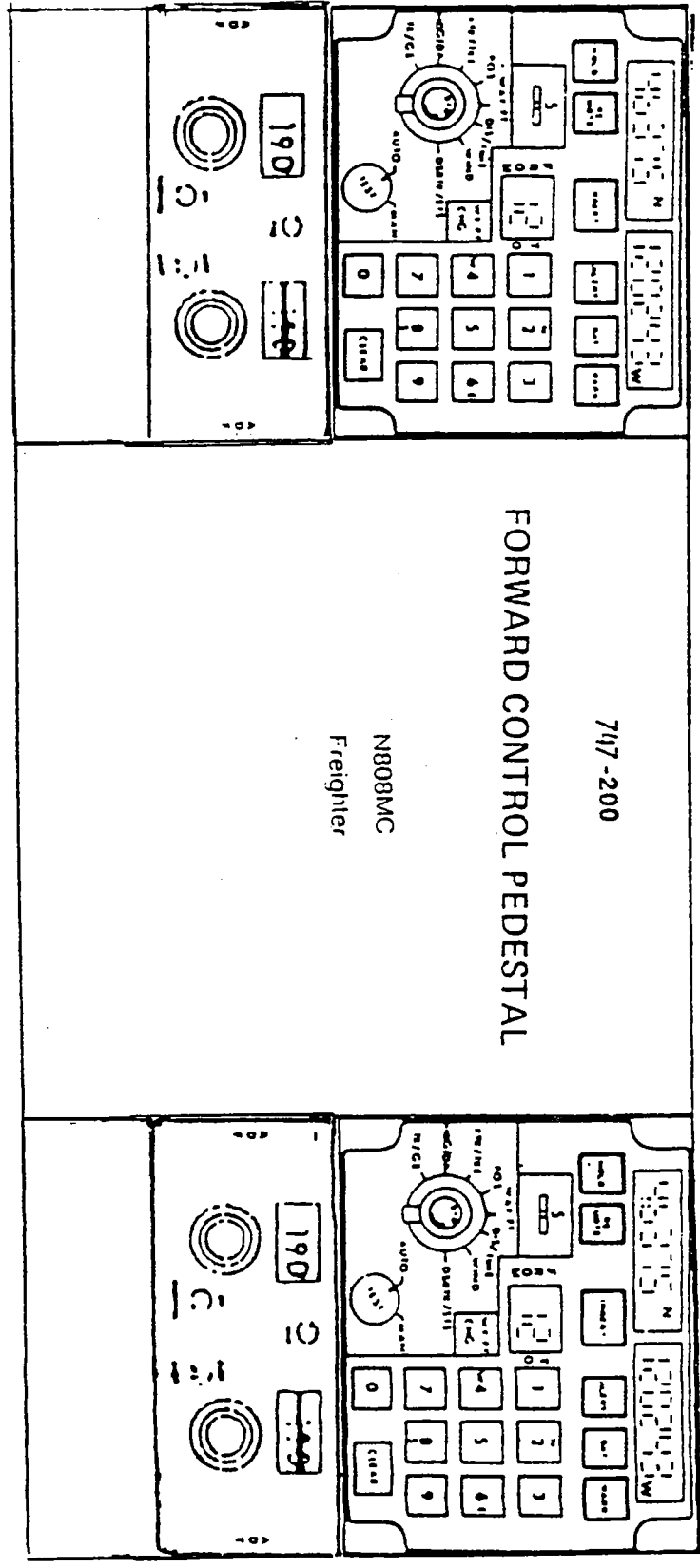


747 ATLAS AIR -808-7J

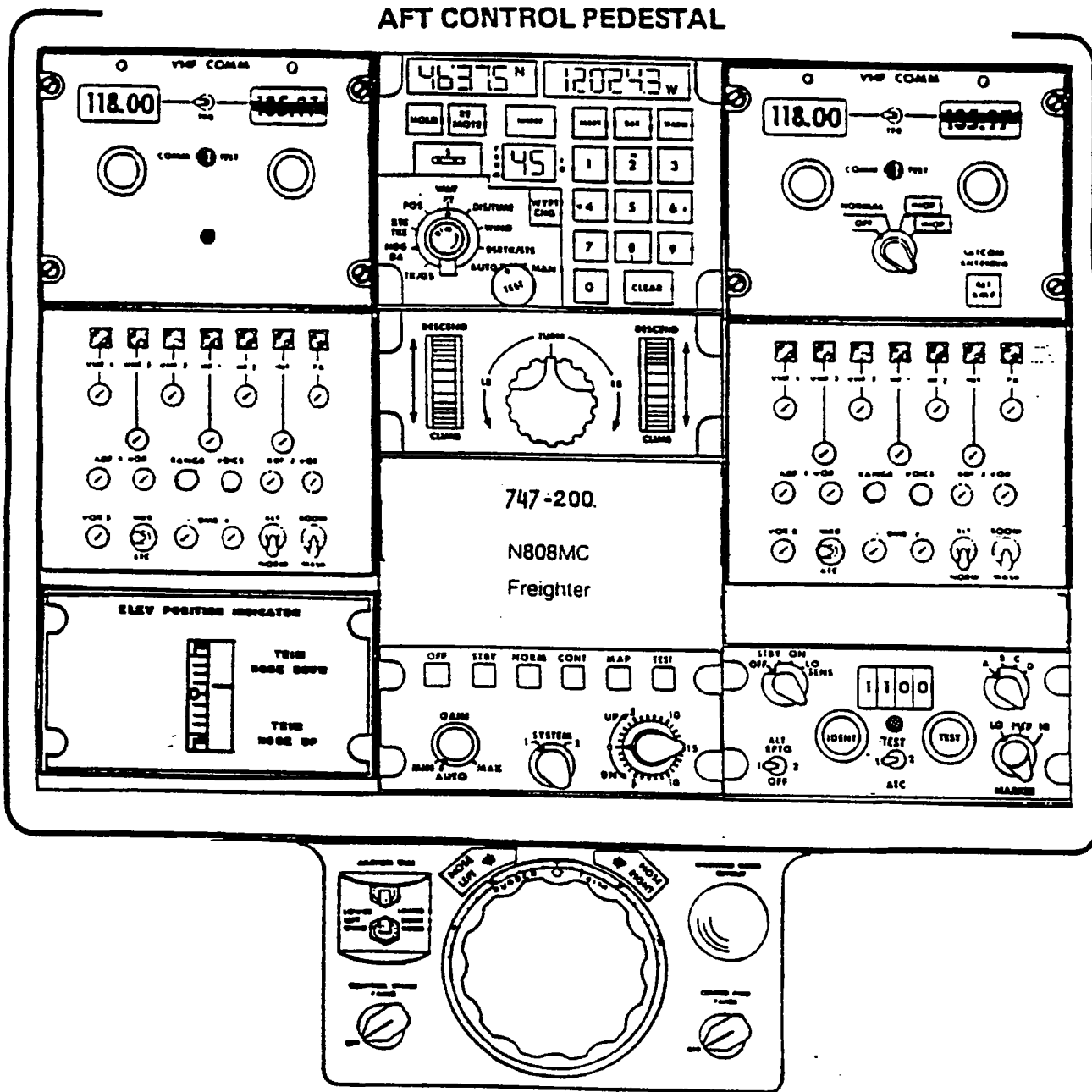


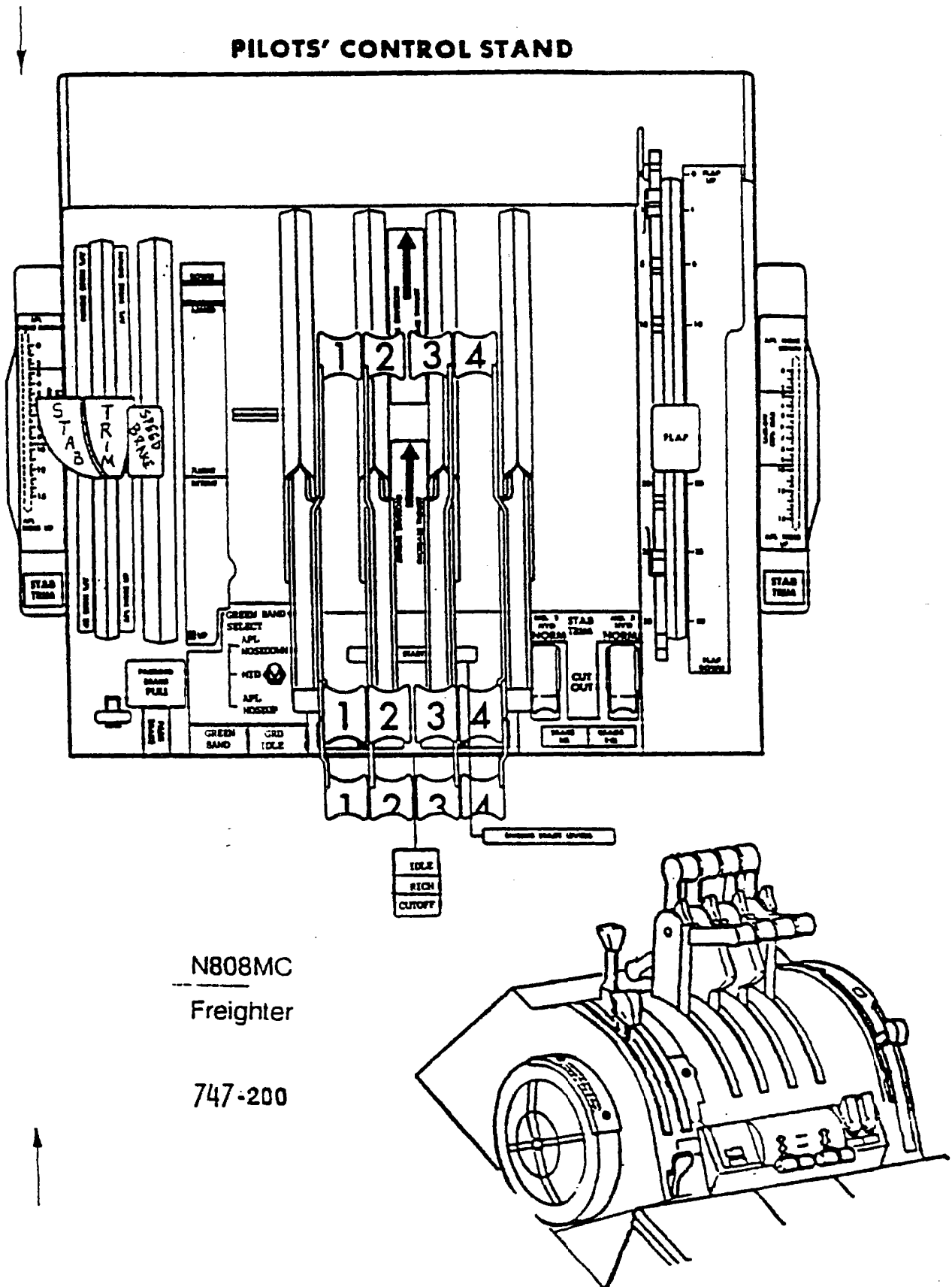
747-200 PILOTS' OVERHEAD PANEL

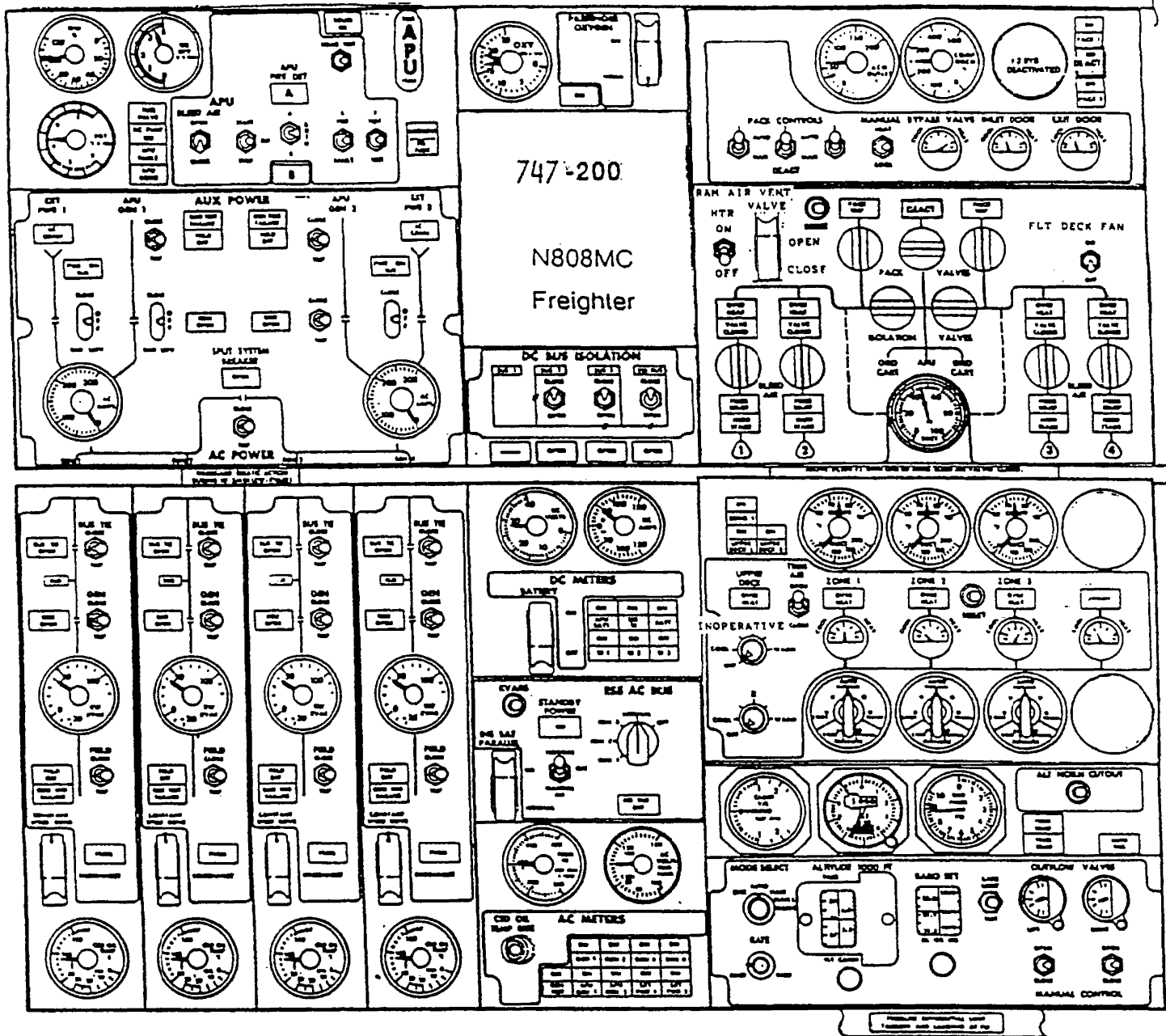
747 ATLAS AIR -808-7J



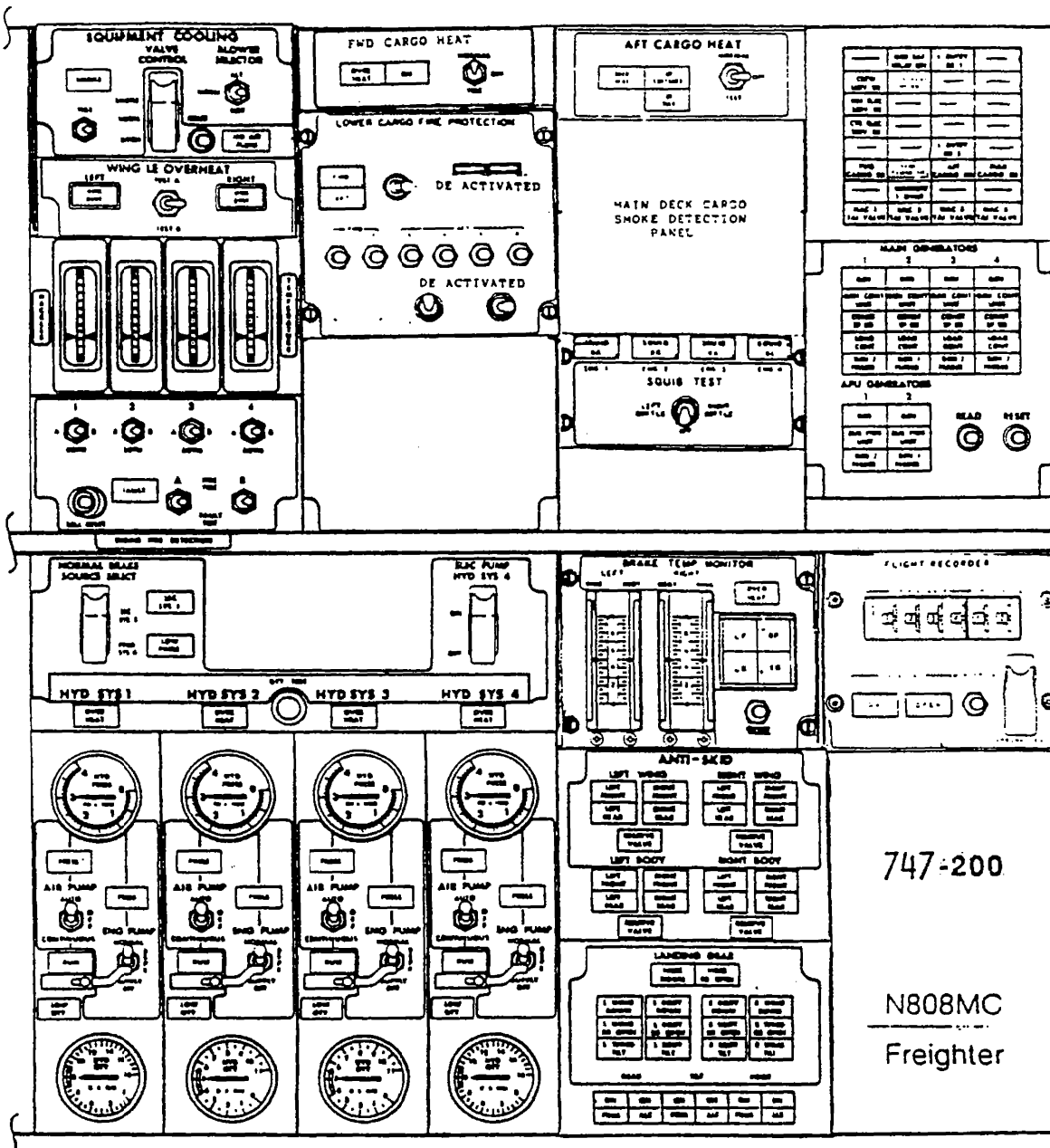
AFT CONTROL PEDESTAL







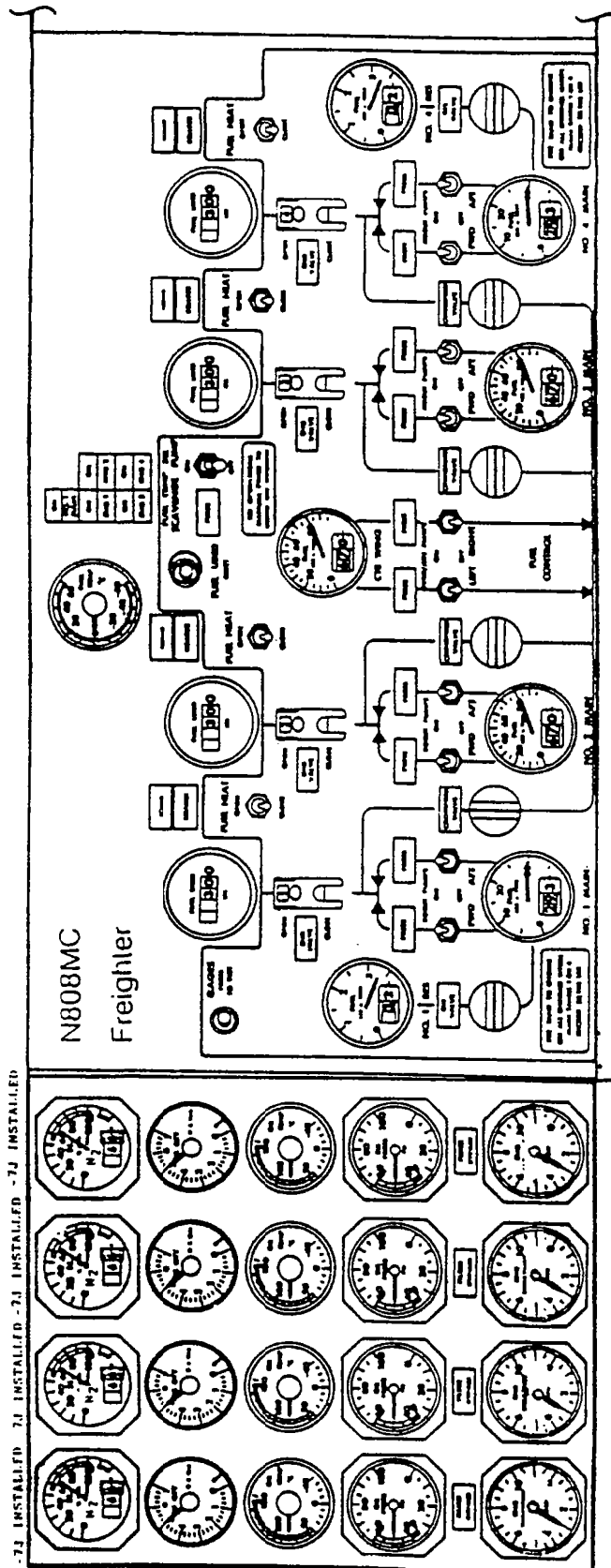
FLIGHT ENGINEER'S INSTRUMENT PANEL-UPPER PANELS-LEFT



FLIGHT ENGINEER'S INSTRUMENT PANEL - UPPER PANELS-RIGHT

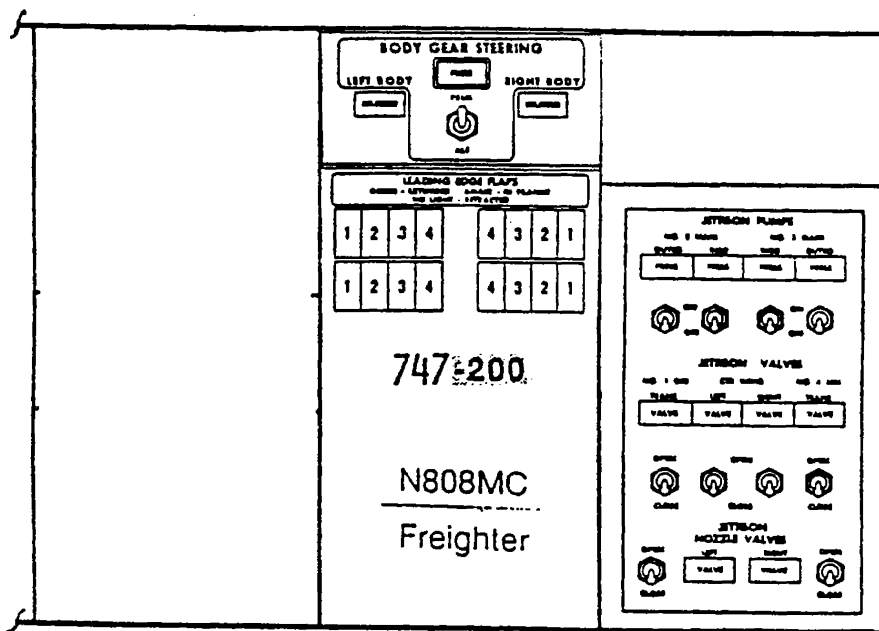
747 ATLAS AIR -808-7J

NOTE ALL FUEL QUANTITY AND FUEL USED GAGES ARE IN KILOGRAMS



747-200

FLIGHT ENGINEER'S INSTRUMENT PANEL-LOWER PANEL-LEFT & CENTER



**FLIGHT ENGINEER'S INSTRUMENT PANEL-
LOWER PANEL- RIGHT**