

ROTOR WIND 1G

8 TRAY ROTATING GAS BAKING OVEN WITH PROVER

6RW0100



Main Features

- The heat exchanger is constructed in special stainless steel and enables a very high output with significant energy saving.
- 8 Tray Capacity (400 x 600)
- High Production
- Steam Exhaust Fan
- Front surface and Baking Chamber
- Completely in Stainless steel.
- Electromechanical Control Panel which enables the control of:
 - (a) Burner ignition and Temperature Control
 - (b) Ventilation
 - (c) Rack Rotation
 - (d) Supply of Steam
 - (e) Baking Timers
 - (f) shut down/start ups
 - (f) Lighting control
- New steam generator embraced in the ventilation area ensures steam is spread inside the chamber in a very homogenous way through the ventilation system.
- Rear Burner for suited for Long and narrow Rooms
- Available for use in NAT GAS, ULPG and Diesel



Prover

5 Tray Prover with Humification (400 x 600)

SPECIFICATIONS	
Voltage	240 V
Power	2 kw
Gas (Mj/Hr)	75
Weight	470 kg
Plug Supplied	No
Capacity	Rotor Oven 8 x (400x600) Rotor Prover 5 x (400 x 600)
Thermostat	300°C
Baking Volume	1.9 m ²
Warranty	4 Year Warranty (2 yr Labour 4 yr Parts)

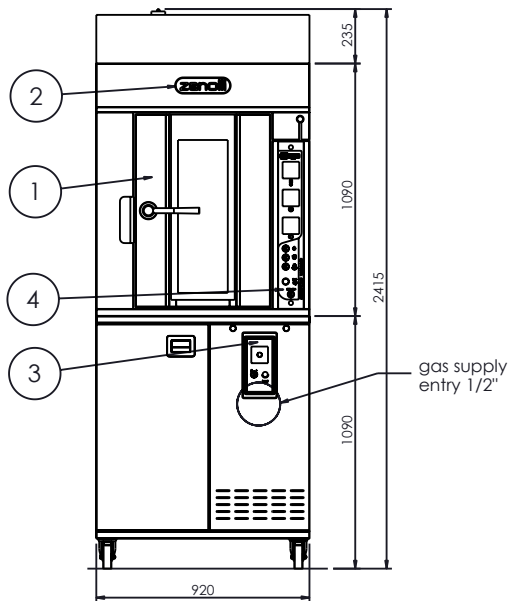
ACCESSORIES
Burner Type Configuration, ULPG, NAT or Diesel
Variable Speed System for Exhaust
Computerized Panel

DIMENSIONS	
External Width	980mm
External Depth	1240mm
External Height	2340mm



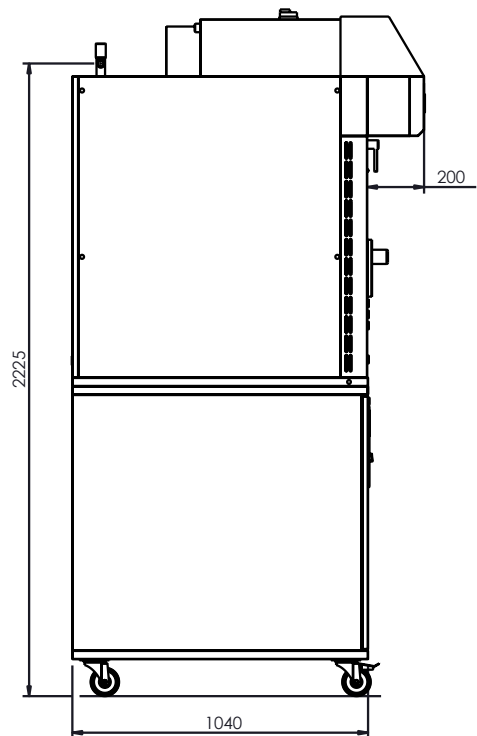
Phone: 1800 183 818 Email: support@thegoodlady.com.au
 Website: www.thegoodlady.com.au

FRONT

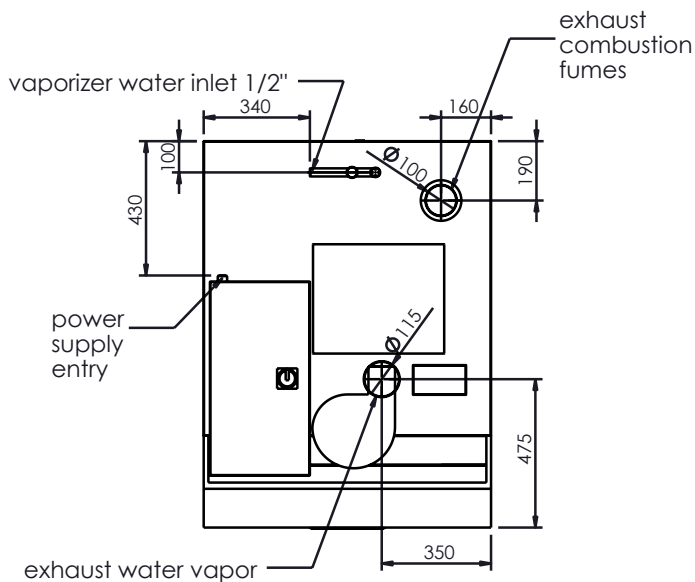


Num. articolo	Quantità	Descrizione
11		ROTOR WIND 1G
21		PANN0370
31		PANN0564
41		PANN0560

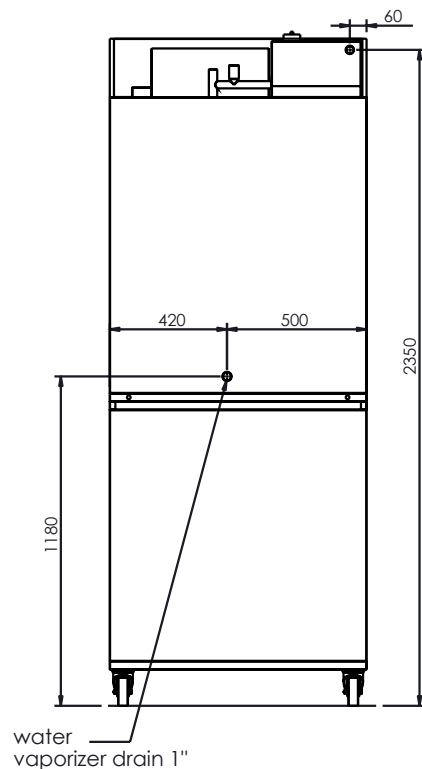
SIDE



TOP



REAR



We reserve the right to alter specifications without notice.



**THE
GOOD
LADY**

Phone: 1800 183 818 Email: support@thegoodlady.com.au
Website: www.thegoodlady.com.au