



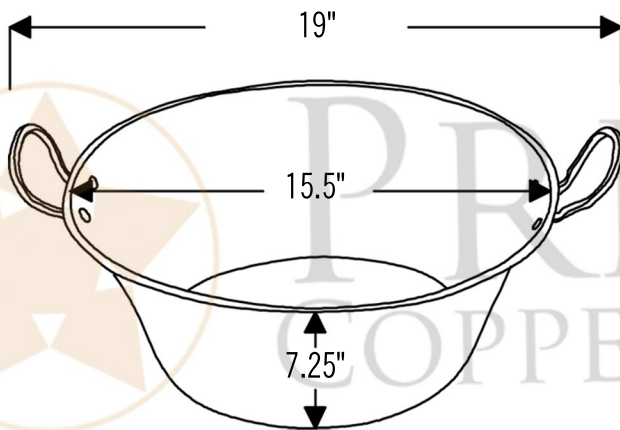
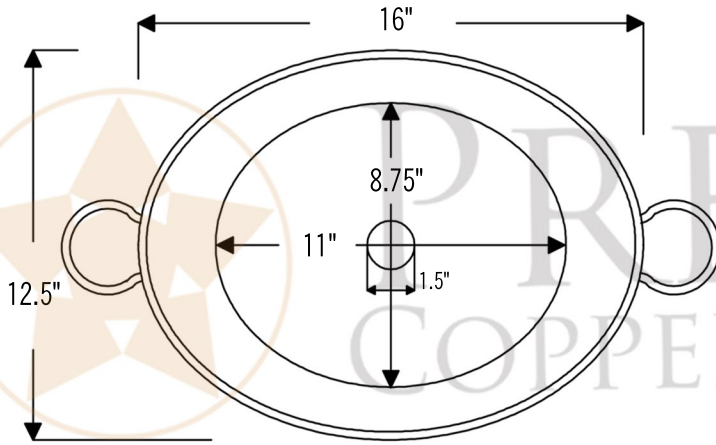
PREMIER
COPPER PRODUCTS

MODEL NUMBER: BSP5_VOB16EN-P

- * Description: Oval Bucket Vessel Hammered Copper Sink with Handles in Nickel
- * Outer Dimension: 19" x 12.5" x 7.25" (with handles)
- * Outer Dimension: 16" x 12.5" x 7.25" (without handles)
- * Inner Dimension: 15.5" x 12" x 7.25"
- * Bottom Dimension: 11" x 8.75"
- * Rim: 1/4" Wire Rim
- * Drain Opening: 1.5"
- * Finish: Nickel

CODE/STANDARD COMPLIANCE

* IAPMO/cUPC LISTED



THIS PRODUCT IS HAND CRAFTED, SMALL VARIANCES IN COLOR AND SIZE MAY OCCUR.
DO NOT MAKE ANY INSTALLATION CUTS UNTIL YOU RECEIVE YOUR ITEM(S).

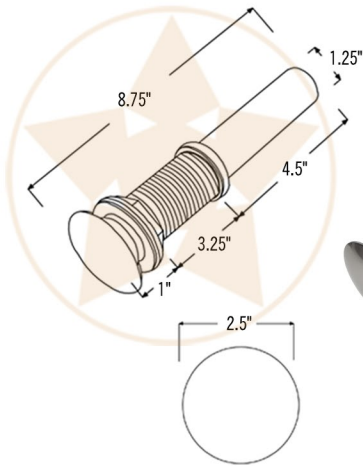
PACKAGE INCLUDES THE FOLLOWING ACCESSORIES:

- * 1.5" Non-Overflow Pop-Up Bathroom Sink Drain / BN Finish (Model# D-208BN)
- * Copper Sink Wax (Model# W900-WAX)

* BN: Brushed Nickel

DRAIN DETAILS (Model# D-208BN)

- * Description: 1.5" Non-Overflow Pop-Up Bathroom Sink Drain
- * Design: Push Up Top
- * Upper Flange Dimension: 2"
- * Material: Solid Brass
- * Prop 65 Compliant



WAX DETAILS (Model# W900-WAX)

- * Description: Copper Sink Wax Protectant
- * Made From Natural Bee's Wax
- * No Wax Build Up Ever!
- * Hard Water Protection
- * Works Great on a Variety of Different Surfaces:

<i>Copper Sinks & Tubs</i>	<i>Kitchen Cabinets</i>
<i>Marble</i>	<i>Faucets</i>
<i>Granite</i>	<i>Wrought Iron</i>
<i>Countertops</i>	<i>Glass</i>
<i>Door Knobs</i>	<i>Aluminum</i>
<i>Shower Glass</i>	<i>Chrome</i>
<i>Mirrors</i>	<i>Appliances</i>
<i>Fine Furniture</i>	<i>Leather</i>

