

## Main Features

- Advanced visual control panel offers complete customization and versatility of all baking parameters
- Quickly reaches working temperature of 300°C in less than 30 minutes and 460° in less than 50 minutes
- Double glazed glass door along with sealing fiber chamber gas-kets & 80mm glass fiber insulation prevents burn, reduces any heat loss and allows the user to bake with the door open
- Economy mode forces the ceiling and floor resistors to switch on limiting the required power by 50%
- Fully constructed in high grade (AISI) 304 stainless steel
- Ergonomically designed for confined spaces and use of short shovel with the glass opening up and pull out sliding table
- Modular so can be stacked up to 3 units high



## SPECIFICATIONS

Voltage	400 Volt AC 3/N/PE
	230 Volt AC 1/N/PE
Power	15.6 kw
Weight	265 kg
Plug Supplied	NO
Capacity	9 x 34cm pizza
Thermostat	60-460°C
Warranty	4 Year Warranty (2 yr Labour 4 yr Parts)

## DIMENTIONS

External Width	1485mm	Internal Width	1050mm
External Depth	1440 mm	Internal Depth	1050mm
External Height	425mm	Internal Height	155mm

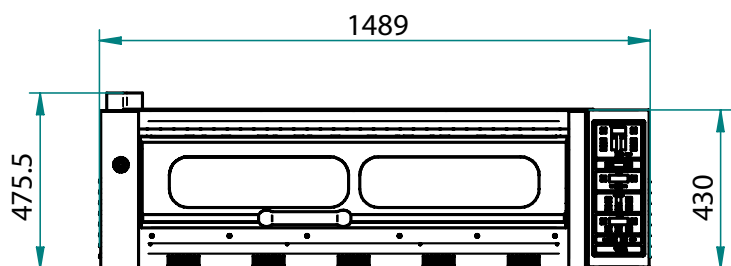
## ACCESSORIES

Single Deck Stand	AFOPIEDAZ9NR1M
Double Deck Stand	AFOPIEDAZ9NR2M
Triple Deck Stand	AFOPIEDAZ9NR3M
Extractor hood Stand	AFOCAPKING9
Double Door Proofer Insert	AFOCELUN

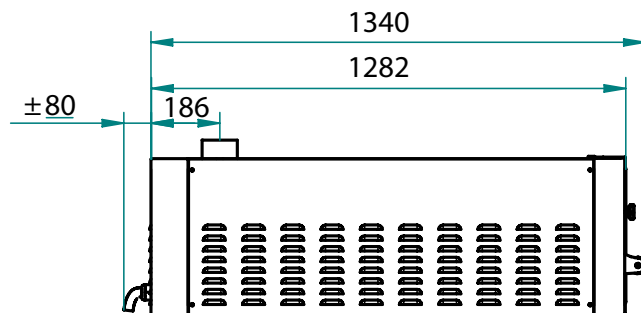
# AZZURRO 9

FORA9TR400A

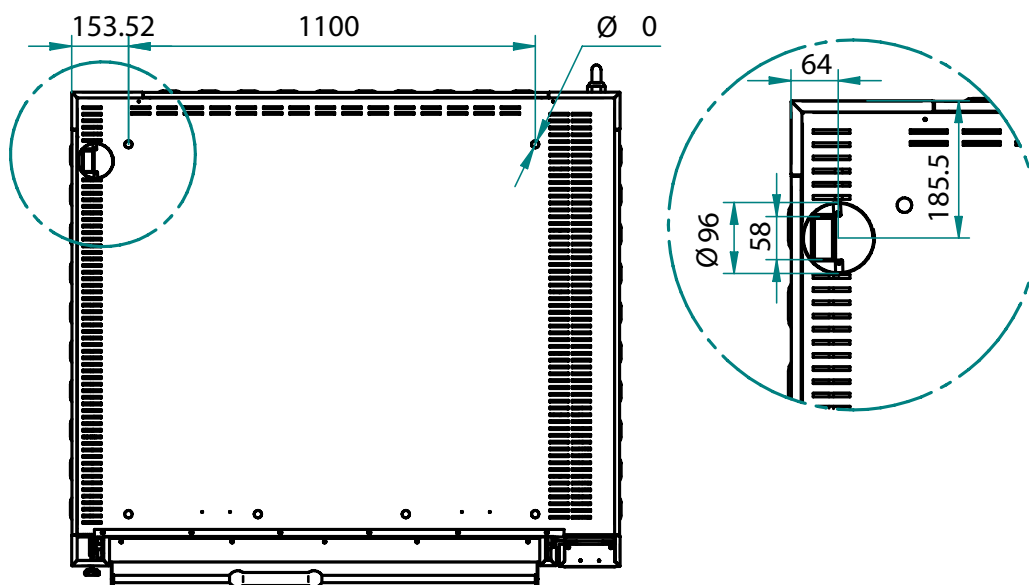
## FRONT



## SIDE



## TOP



We reserve the right to alter specifications without notice.



THE  
GOOD  
LADY

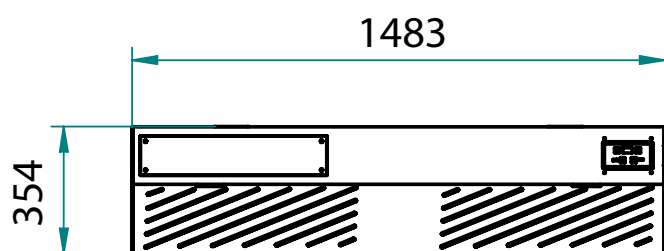
Phone: 1800 183 818 Email: support@thegoodlady.com.au  
Website: www.thegoodlady.com.au

# AZZURRO 9 - EXTRACTOR HOOD

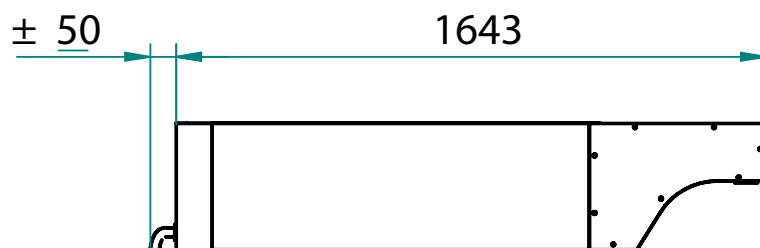
FORA9TR400A

AFOCAPKING9

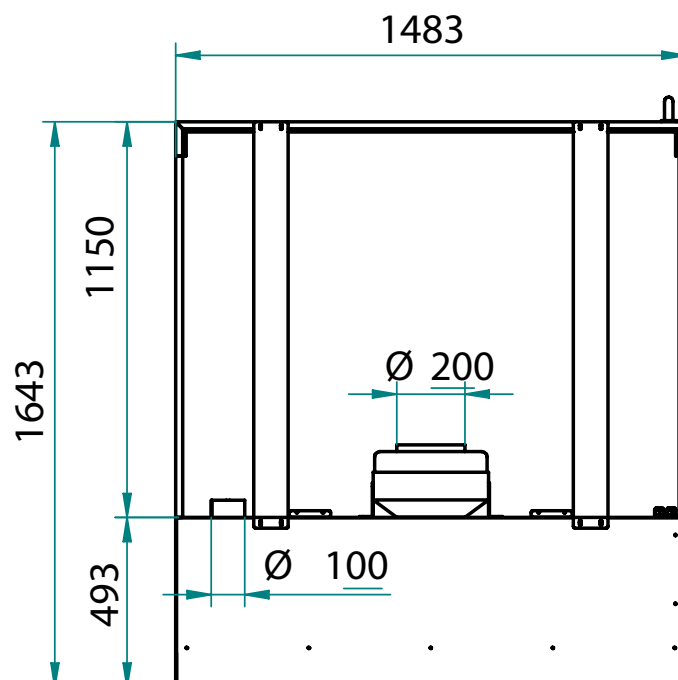
## FRONT



## SIDE



## TOP



We reserve the right to alter specifications without notice.



THE  
GOOD  
LADY

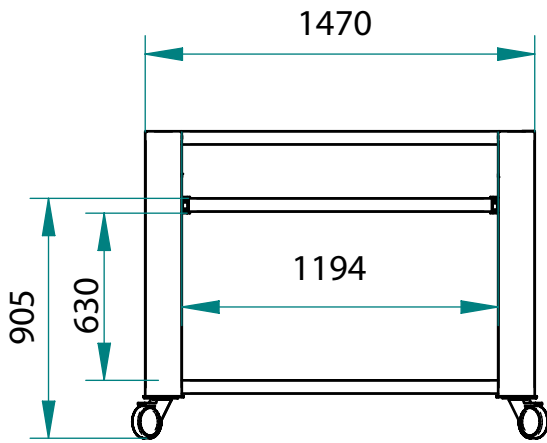
Phone: 1800 183 818 Email: [support@thegoodlady.com.au](mailto:support@thegoodlady.com.au)  
Website: [www.thegoodlady.com.au](http://www.thegoodlady.com.au)

# AZZURRO 9 - SINGLE DECK STAND

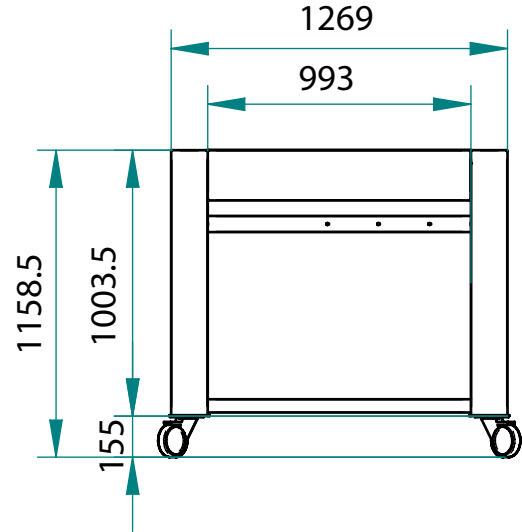
FOR KING9TR400

AFOPIEDAZ9NR1M

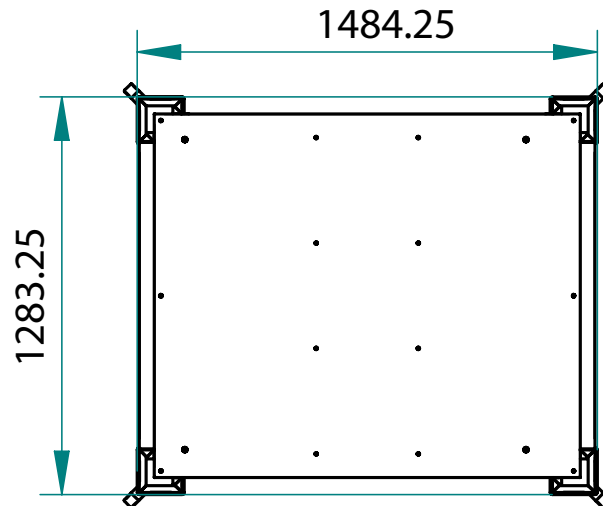
## FRONT



## SIDE



## TOP



We reserve the right to alter specifications without notice.



THE  
GOOD  
LADY

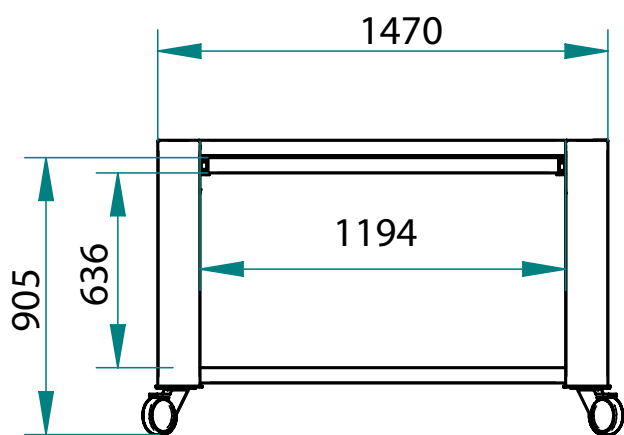
Phone: 1800 183 818 Email: [support@thegoodlady.com.au](mailto:support@thegoodlady.com.au)  
Website: [www.thegoodlady.com.au](http://www.thegoodlady.com.au)

# AZZURRO 9 - DOUBLE DECK STAND

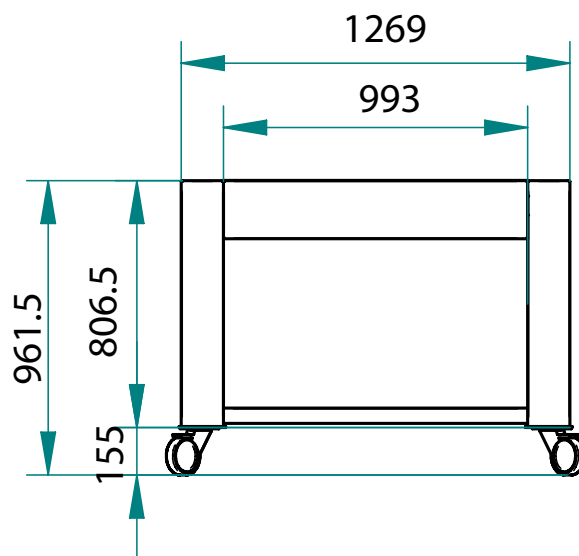
FORKING9TR400

AFOPIEDAZ9NR2M

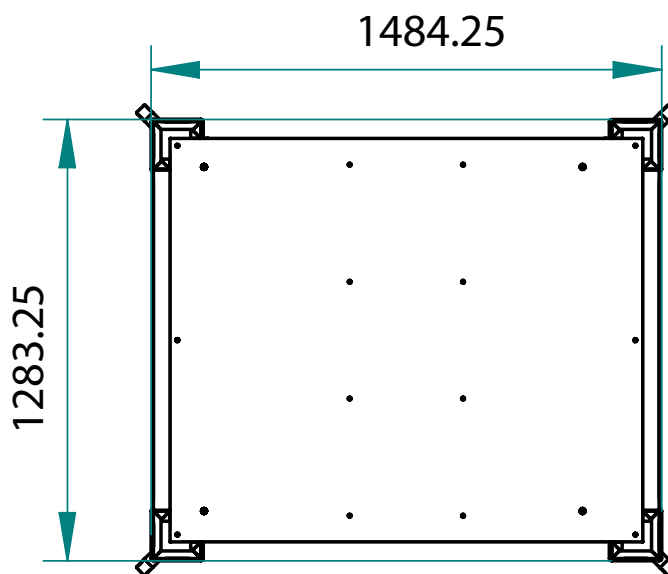
## FRONT



## SIDE



## TOP



We reserve the right to alter specifications without notice.



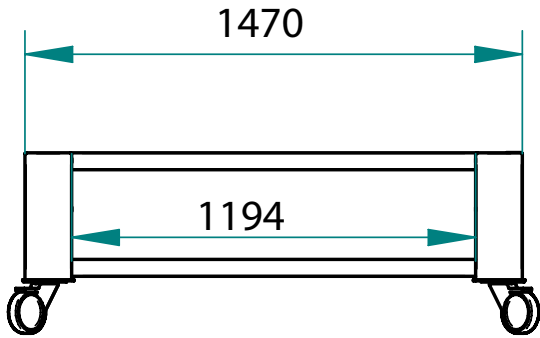
Phone: 1800 183 818 Email: [support@thegoodlady.com.au](mailto:support@thegoodlady.com.au)  
Website: [www.thegoodlady.com.au](http://www.thegoodlady.com.au)

# AZZURRO 9 - TRIPLE DECK STAND

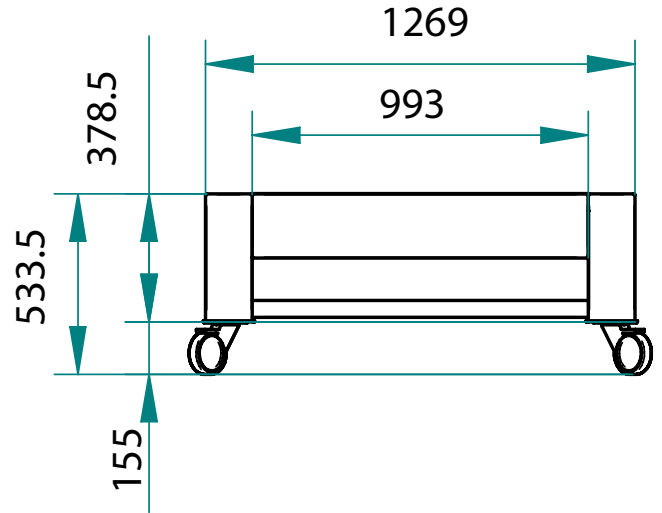
FORKING9TR400

AFOPIEDAZ9NR3M

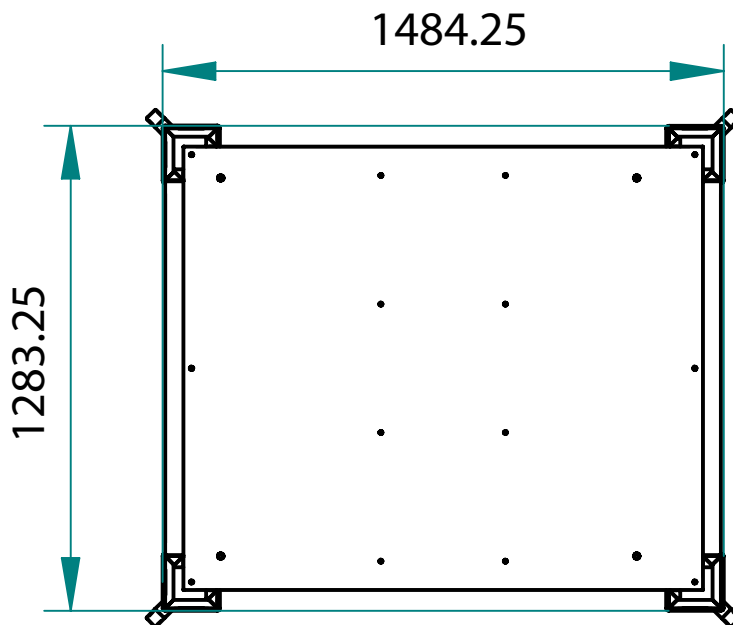
## FRONT



## SIDE



## TOP



We reserve the right to alter specifications without notice.



THE  
GOOD  
LADY

Phone: 1800 183 818 Email: [support@thegoodlady.com.au](mailto:support@thegoodlady.com.au)

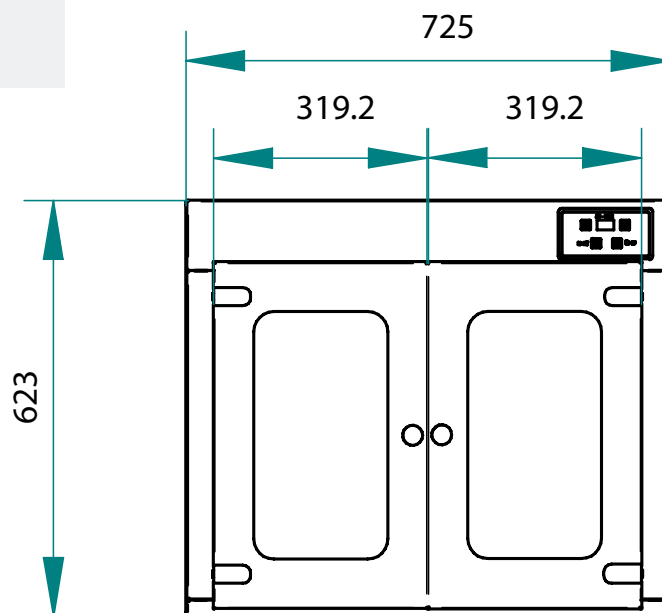
Website: [www.thegoodlady.com.au](http://www.thegoodlady.com.au)

# AZZURRO 9 - DOUBLE DOOR PROOFER

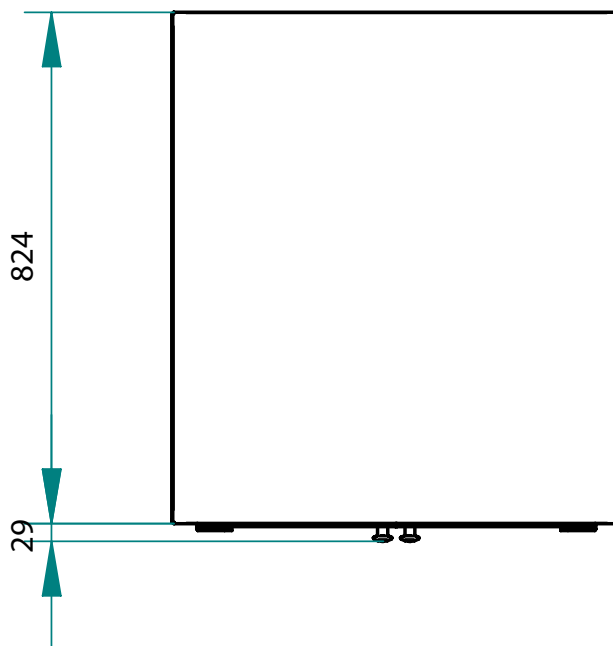
FOR KING9TR400

AFOCELUN

## FRONT



## TOP



We reserve the right to alter specifications without notice.