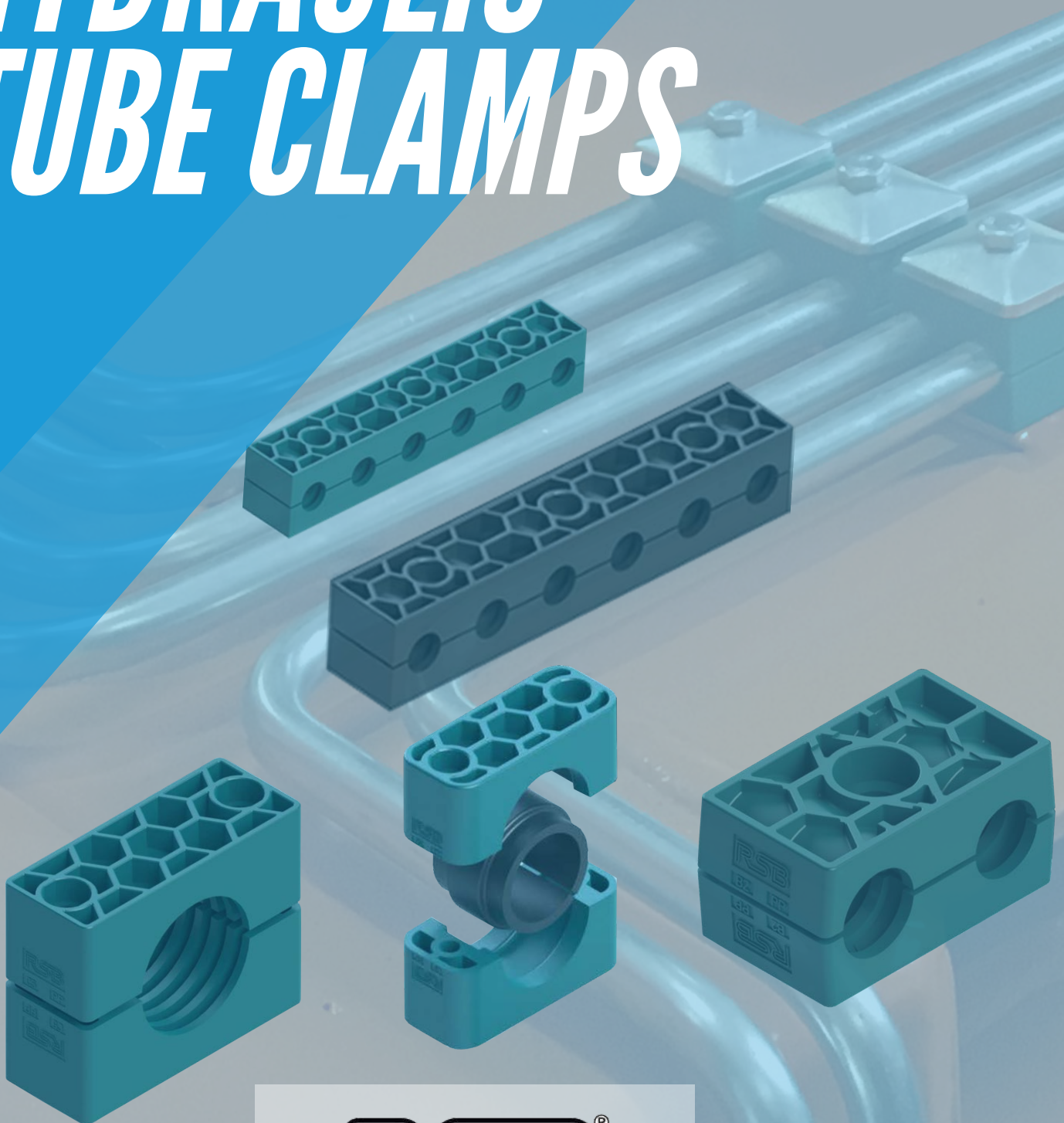


# ***HYDRAULIC TUBE CLAMPS***



**PARTNERS**

*Hydraulic Tube Clamps – DIN 3015 block clamps, tube clamps, multi-clamps & tube fastenings from Distag QCS.*

*DIN 3015 block clamps, tube clamps, multi-clamps, and tube fastenings from Distag QCS provide optimal fastening solutions to meet every need. We are distributors of the unique RSB brand, and also can offer a budget brand from China.*

## INDEX

TUBE CLAMP SERIES A	C-1
TUBE CLAMP SERIES B	C-2
TUBE CLAMP SERIES C	C-3
CLAMP RAIL SYSTEM	C-4
MULTICLAMPS & NOISE PROTECTION INSERT	C-5
STEEL CONSTRUCTION CLAMP	C-6



## TUBE CLAMPS SERIES A

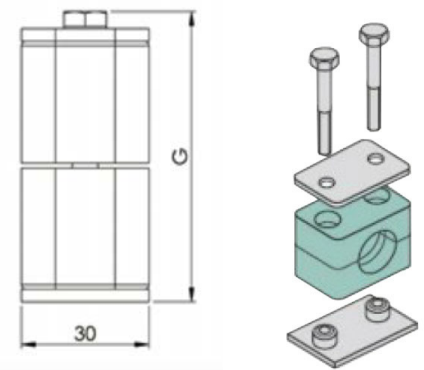
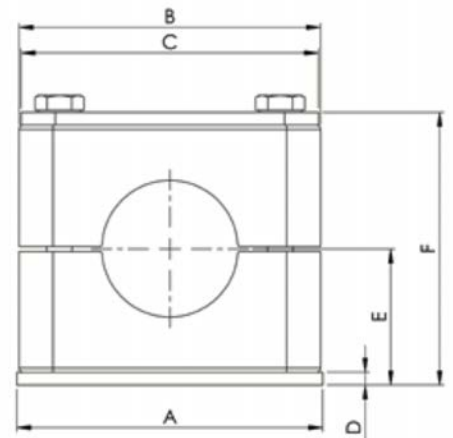
### DIN 3015 PART 1 (LIGHT CONSTRUCTION CLAMPS)

#### ADVANTAGES

- optimised product geometry.
- provides excellent pressure distribution.
- thus high tube holding forces.

## TECHNICAL SPECIFICATION

Clamp Group	O.D. (mm)	Single Kit Order Code	Single Body Only Code	Single Weld Plate Code	Single Cover Plate Code	Bolt Kit
Type 1	6	RAPR3-106-AK	RAPR-106	APK-A1	DP-A1	SSL-A0/A1
	8	RAPR3-108-AK	RAPR-108			
	10	RAPR3-110-AK	RAPR-110			
	12	RAPR3-112-AK	RAPR-112			
Type 2	12.7	RAPR3-212.7-AK	RAPR-212.7	APK-A2	DP-A2	SSL-A2
	14	RAPR3-214-AK	RAPR-214			
	15	RAPR3-215-AK	RAPR-215			
	16	RAPR3-216-AK	RAPR-216			
	18	RAPR3-218-AK	RAPR-218			
	19	RAPR3-319-AK	RAPR-319			
Type 3	20	RAPR3-320-AK	RAPR-320	APK-A3	DP-A3	SSL-A3
	22	RAPR3-322-AK	RAPR-322			
	23	RAPR3-323-AK	RAPR-323			
	25	RAPR3-325-AK	RAPR-325			
Type 4	28	RAPR3-428-AK	RAPR-428	APK-A4	DP-A4	SSL-A4
	30	RAPR3-430-AK	RAPR-430			
Type 5	32	RAPR3-532-AK	RAPR-532	APK-A5	DP-A5	SSL-A5
	35	RAPR3-535-AK	RAPR-535			
	38	RAPR3-538-AK	RAPR-538			
	40	RAPR3-540-AK	RAPR-540			
	42	RAPR3-542-AK	RAPR-542			
Type 6	45	RAPR3-645-AK	RAPR-645	APK-A6	DP-A6	SSL-A6
	48	RAPR3-648-AK	RAPR-648			
	50	RAPR3-650-AK	RAPR-650			
	50.8	RAPR3-650.8-AK	RAPR-650.8			
	52	RAPR3-652-AK	RAPR-652			
	55	RAPR3-655-AK	RAPR-655			
	57	RAPR3-657-AK	RAPR-657			





## TUBE CLAMPS SERIES B

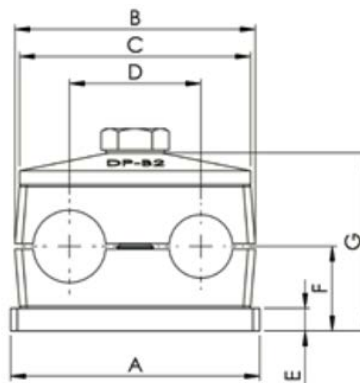
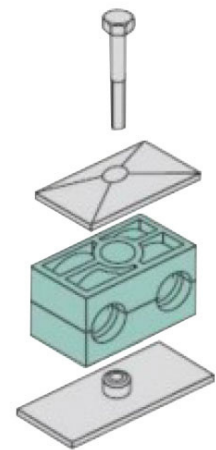
### DIN 3015 PART 3

#### ADVANTAGES

Simultaneous assembly of 2 tubes, hoses, wires and other components. Combinations of different diameters in one clamp body are available on request. Clamp bodies are made of various plastics or aluminium; with vibration and noise dampening properties and UV, weather and chemical resistance – even in extreme conditions. Metal parts are also available in stainless steel.

## TECHNICAL SPECIFICATION

Clamp Group	O.D. (mm)	Double Kit Complete Order Code	Double Body Only Code	Double Weld Plate Code	Double Cover Plate Code	Bolt
Type 1	6	RBPR1-106-AK	RBPR-106	AP-B1	DP-B1	SS-B1
	8	RBPR1-108-AK	RBPR-108			
	10	RBPR1-110-AK	RBPR-110			
	12	RBPR1-112-AK	RBPR-112			
Type 2	12.7	RBPR1-212.7-AK	RBPR-212.7	AP-B2	DP-B2	SS-B2
	14	RBPR1-214-AK	RBPR-214			
	15	RBPR1-215-AK	RBPR-215			
	16	RBPR1-216-AK	RBPR-216			
Type 3	18	RBPR1-218-AK	RBPR-218	AP-B3	DP-B3	SS-B3
	19	RBPR1-319-AK	RBPR-319			
	20	RBPR1-320-AK	RBPR-320			
Type 4	22	RBPR1-322-AK	RBPR-322	AP-B4	DP-B4	SS-B4
	25	RBPR1-325-AK	RBPR-325			
	28	RBPR1-428-AK	RBPR-428			
Type 5	30	RBPR1-430-AK	RBPR-430	AP-B5	DP-B5	SS-B5
	32	RBPR1-532-AK	RBPR-532			
	35	RBPR1-535-AK	RBPR-535			
	38	RBPR1-538-AK	RBPR-538			
	40	RBPR1-540-AK	RBPR-540			
	42	RBPR1-542-AK	RBPR-542			





## TUBE CLAMPS SERIES C

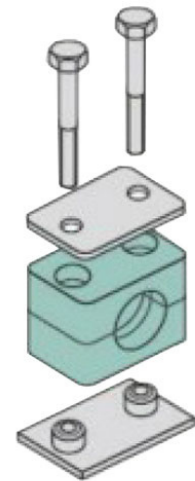
### DIN 3015 PART 2 (HEAVY SERIES)

#### ADVANTAGES

Fixing of tubes and hoses of both standard metric and inch outer diameters. Clamp bodies made of various plastics or aluminium; with vibration and noise dampening properties and UV, weather and chemical resistance – even in extreme conditions. Metal parts are also available in stainless steel.

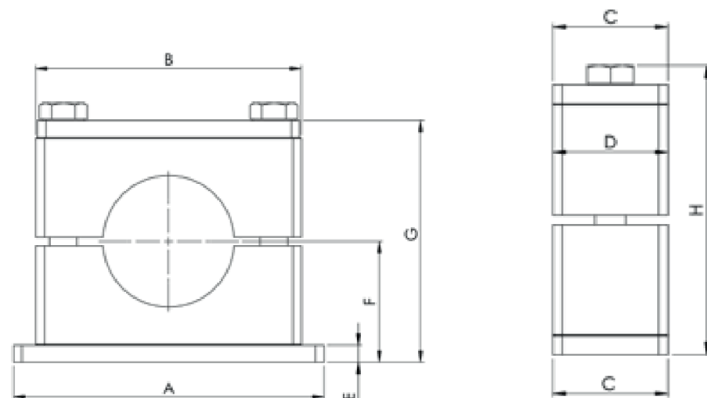
## TECHNICAL SPECIFICATION

Clamp Group	O.D. (mm)	Single Kit Order Code	Single Body Only Code	Single Weld Plate Code	Single Cover Plate Code	Bolt Kit
Type 2	10	RCPR1-210-AK	RCPR-210	AP-C2	DP-C2	SS-C2
	12.7	RCPR1-212.7-AK	RCPR-212.7			
	19	RCPR1-219-AK	RCPR-219			
	20	RCPR1-220-AK	RCPR-220			
	21.3	RCPR1-221.3-AK	RCPR-221.3			
	22	RCPR1-222-AK	RCPR-222			
	25.4	RCPR1-225.4-AK	RCPR-225.4			
	26.9	RCPR1-226.9-AK	RCPR-226.9			
	28	RCPR1-228-AK	RCPR-228			
	30	RCPR1-230-AK	RCPR-230			
Type 3	30	RCPR1-330-AK	RCPR-330	AP-C3	DP-C3	SS-C3
	32	RCPR1-332-AK	RCPR-332			
	33.7	RCPR1-333.6-AK	RCPR-333.6			
	35	RCPR1-335-AK	RCPR-335			
	38	RCPR1-338-AK	RCPR-338			
	40	RCPR1-340-AK	RCPR-340			
	42	RCPR1-342-AK	RCPR-342			



\*Available with socket head bolts

\*Other sizes & materials available

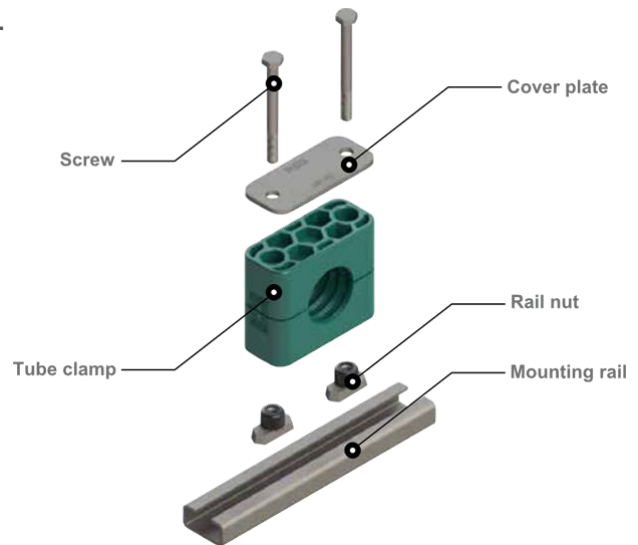
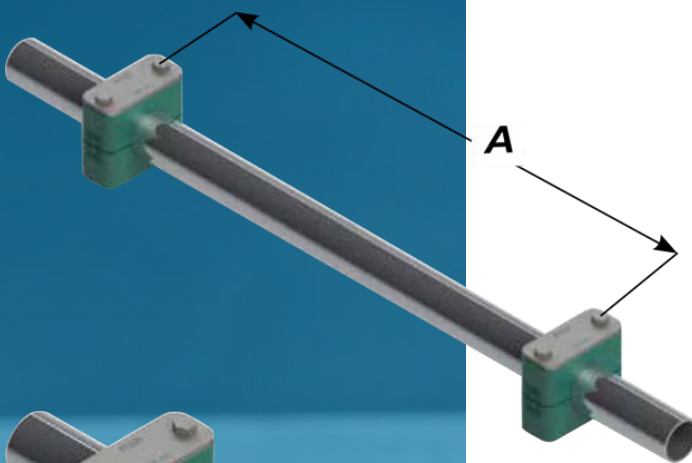


## MOUNTING RAILS

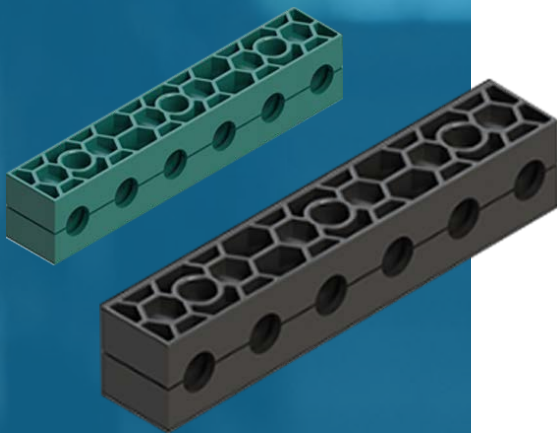


Mounting rails are available in four different heights and come in pieces of 1m or 2m lengths, as required. To attach, weld on the mounting rail or screw-fasten with a fastening angle bracket. Insert mounting rail nuts in the rail and turn until stopped. For heavy-duty construction series, nuts are simply pushed in. Clamp the lower half of the clamp on the mounting rail nuts, then insert the tube, and place the upper half of the clamp onto the lower half. Fasten together using the clamp screws.

The clamp may still be positioned before the screws are fastened. Attention must be paid to the prestress (after assembly, the clamp halves must not be in contact).



Outside pipe diameter (mm)	Clamp pitch A (mm)
6.0 - 12.7	1
12.7 - 22.0	1.2
22.0 - 32.0	1.5
32.0 - 38.0	2
38.0 - 57.0	2.7
57.0 - 75.0	3
75.0 - 76.1	3.5



## MULTICLAMP

### CUSTOM-MADE SOLUTIONS

#### ADVANTAGES

Fixing solutions for tubes, hoses and wires, designs adapted to DIN 3015-1. Alternative versions and tube diameters on request. If required, with accessories (weld plates, cover plates and screws).

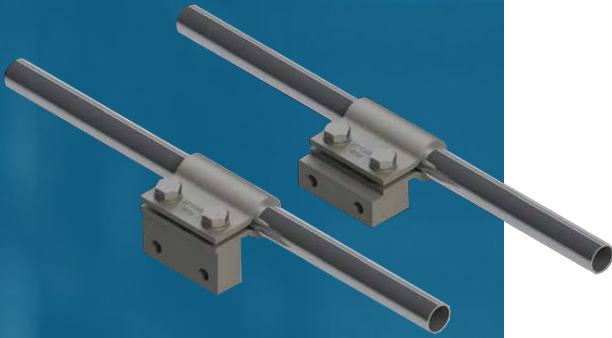


## TUBE CLAMPS WITH NOISE PROTECTION INSERT

Noise absorbing and vibration dampening properties are an important contribution to health and safety and environment protection. Clamp bodies with a separate noise protection insert are a highly effective noise protection and vibration dampening and at the same time a smooth fastening of hoses.

THE SYSTEM FOR VIBRATION INSULATION AND STRUCTURE-BORNE NOISE INSULATION THE SUITABLE SOLUTION FOR EACH APPLICATION!

The production of quiet machines, devices and equipment becomes more and more important due to the growing environmental awareness. With our noise protection system. Fully flexible tube clamps TPETube clamps with noise protection insert EE/TPETube clamps with noise protection insert EFA/TPEyou cover all fields of applications.



## STEEL CONSTRUCTION CLAMP WITH TUBE SUPPORTS-

HSRS steel clamps are suitable for retrofitting on all mobile hydraulic systems and allow a vibration-free laying of tubes and hoses. The assembly with a separate noise protection insert is a highly effective soundproofing and vibration protection and at the same time a smooth fastening of hoses.

### DESIGN

Top and bottom clamp halves are identical. The support-block is welded in upend or flat position.

### FIELD OF APPLICATION

The clamp is used for the whole mobile hydraulic. The small dimension of the clamp allows hydraulic tubes and hoses to be mounted afterwards.

### ADVANTAGES

- Space-saving system.
- can be welded afterwards.
- allows vibration-free laying and mounting of tubes.



[WWW.DISTAG.COM](http://WWW.DISTAG.COM)  
**Get in touch**

**TULLOW**  
**Distag QCS LTD**  
Industrial Estate Tullow  
Tullow  
Co.Carlow  
IRELAND  
R93 V585

Tel: +353 (0)59 915 1626  
Fax: +353 (0)59 915 1264  
Email: [sales@distag.com](mailto:sales@distag.com)

**IPSWICH**  
**Distag QCS (UK) LTD**  
Unit 24  
Farthing Road Ind.Est.  
Sproughton, Ipswich  
Suffolk, UK  
IP1 5AP

Tel: +44 (0)1473 744 612  
Fax: +44 (0)1473 744 613  
Email: [info@distag.com](mailto:info@distag.com)

**DUNGANNON**  
**Distag QCS (UK) LTD**  
11 Cookstown Rd  
Dungannon  
Northern Ireland  
BT71 4BB

Tel: +44 (0) 28 92 633380  
Fax: +44 (0) 28 92 607231  
Email: [Nisales@distag.com](mailto:Nisales@distag.com)