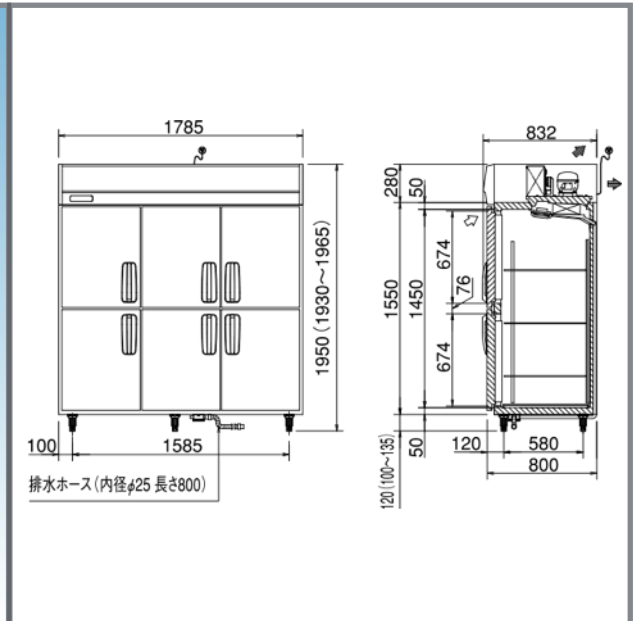




# Panasonic

## BUSINESS

### Refrigerator and Freezer STAINLESS STEEL UPRIGHT



Model	Temperature	Dimension	Volume	Weight	Refrigerant	Power
<b>SRR-K1861</b> (CHILLER)	-6°C ~ +12°C	Ext: W1785xD650xH1950 Int: W1685xD550xH1450	1292 L	146kg	R134a	<b>Cooling:</b> 100V / 248/248W (50/60Hz) <b>Defrosting:</b> 100V / 472/472W (50/60Hz)
<b>SRF-K1863</b> (FREEZER)	-25°C ~ -15°C	Ext: W1785xD650xH1950 Int: W1685xD550xH1450	1292 L	150kg	R404A	<b>Cooling:</b> 200V / 422/422W (50/60Hz) <b>Defrosting:</b> 200V / 590/590W (50/60Hz)
<b>SRR-K1881</b> (CHILLER)	-6°C ~ +12°C	Ext: W1785xD800xH1950 Int: W1685xD700xH1450	1659 L	158kg	R134a	<b>Cooling:</b> 100V / 248/248W (50/60Hz) <b>Defrosting:</b> 100V / 472/472W (50/60Hz)
<b>SRF-K1883</b> (FREEZER)	-25°C ~ -15°C	Ext: W1785xD800xH1950 Int: W1685xD700xH1450	1659 L	161kg	R404A	<b>Cooling:</b> 200V / 422/422W (50/60Hz) <b>Defrosting:</b> 200V / 590/590W (50/60Hz)

#### High energy saving performance

- Inverter compressor
- Automatic frame heater duty optimization
- Automatic condensing fan speed control

ECONAVI

