

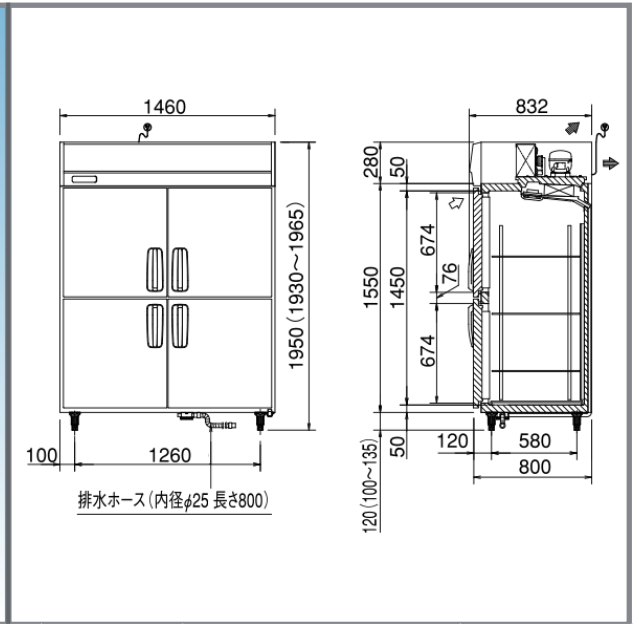


Panasonic

BUSINESS

Refrigerators and Freezer

STAINLESS STEEL UPRIGHT



MODEL	Volume (L)	Temperature	Dimension	Refrigerant	Power	Accessories
SRF-K1563-3 (FREEZER)	1042 127kg	-15 ~ -20°C	Ext: W1460xD650xH1950 Int: W1360xD550xH1450	R404A	Cooling: 200V / 455/455W (50/60Hz) Defrosting: 200V / 586/586W (50/60Hz)	4 Shelves

ECONAVI



High energy saving performance

- Inverter compressor
- Automatic frame heater duty optimization
- Automatic condensing fan speed control

Ty Innovations Pte Ltd
2017.09
Tel: +65 67794500
Email: sales@tyinnovations.com

