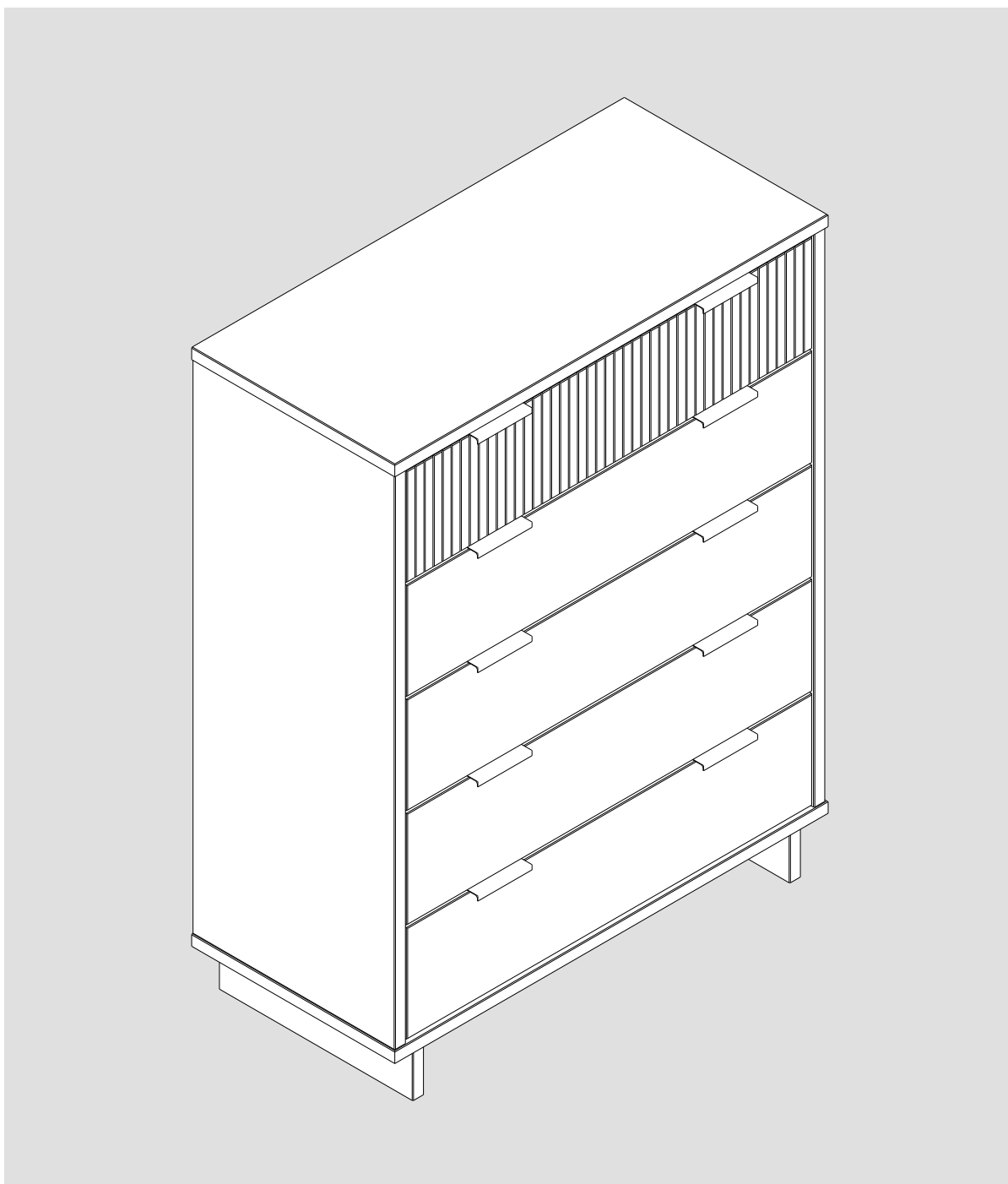




MANHATTAN  
COMFORT

---

## DR-502



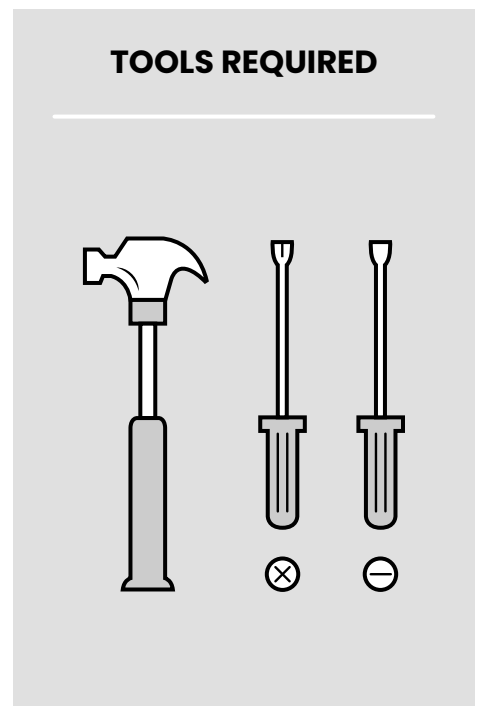
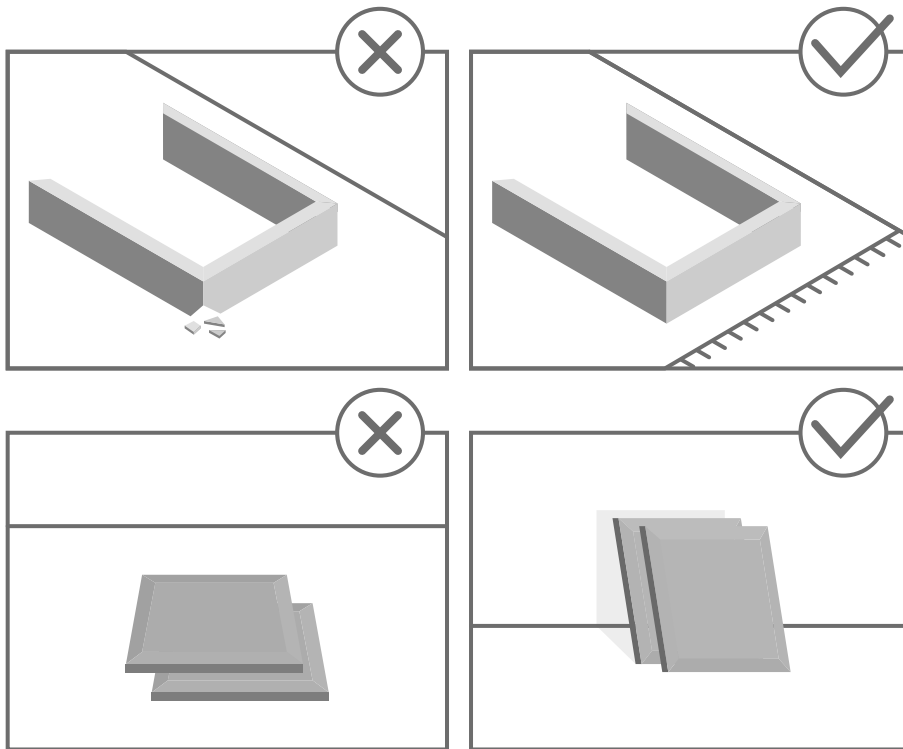


# STOP!

Before beginning the assembly process, ensure all boxes and parts have been delivered.

## FOR BEST RESULTS:

- Do not throw away packaging materials until assembly is complete.
- Assemble item on a soft surface, such as cardboard or carpet, to protect finish.
- Proper assembly requires two people.



View our assembly video online:  
[WWW.MANHATTANCOMFORT.COM](http://WWW.MANHATTANCOMFORT.COM)

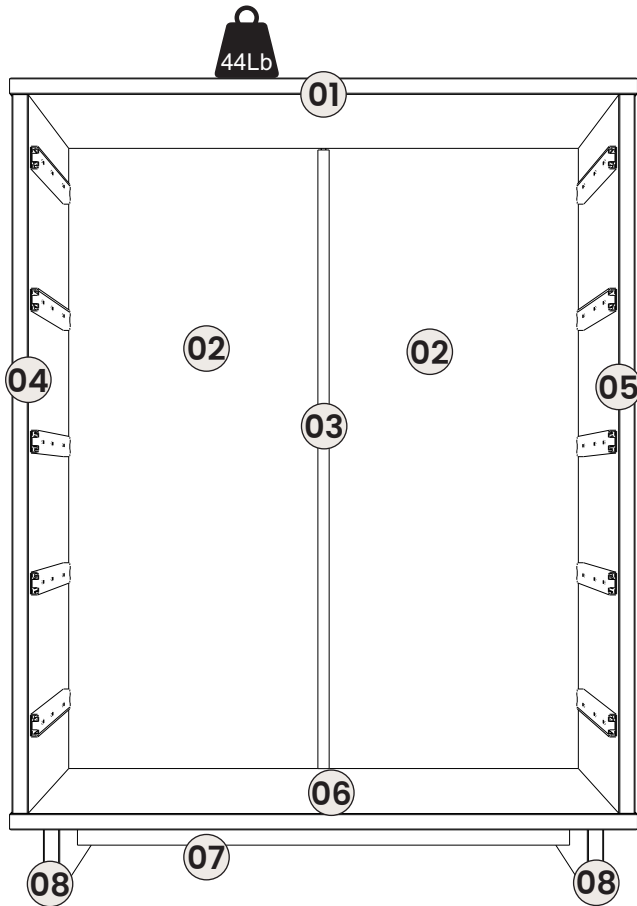


Stuck? Question? We are here to help.  
tel: **908-888-0818**  
e-mail: [help@manhattancomfort.com](mailto:help@manhattancomfort.com)

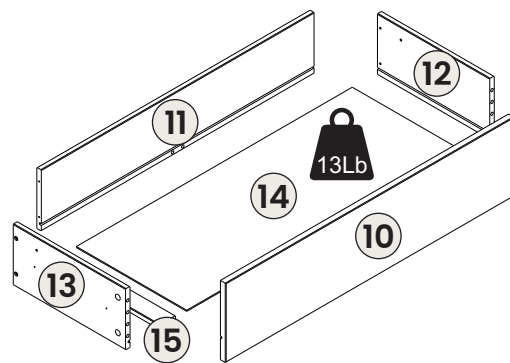
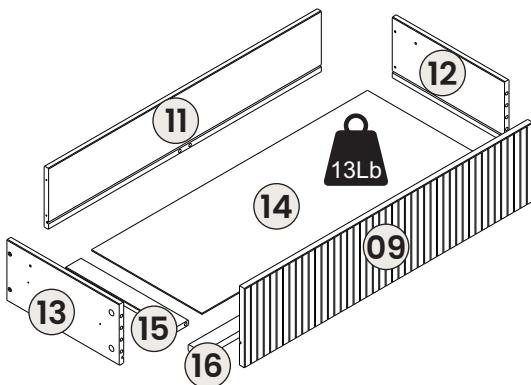
## SUPPORT SITE



# Included in this package:



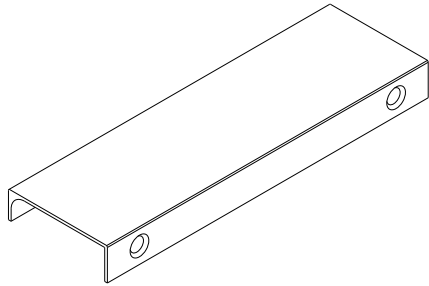
- |                        |    |
|------------------------|----|
| 01. Top Panel          | x1 |
| 02. Back Panel         | x2 |
| 03. Plastic H-Profile  | x1 |
| 04. Left Side Panel    | x1 |
| 05. Right Side Panel   | x1 |
| 06. Bottom Panel       | x1 |
| 07. Feet Crossbar      | x1 |
| 08. Foot               | x2 |
| 09. Top Drawer Front   | x1 |
| 10. Drawer Front       | x4 |
| 11. Drawer Back        | x5 |
| 12. Drawer Right Side  | x5 |
| 13. Drawer Left Side   | x5 |
| 14. Drawer Bottom      | x5 |
| 15. Drawer Support     | x5 |
| 16. Top Drawer Support | x1 |



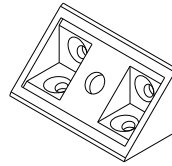
# Included in this package:



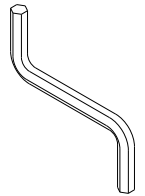
A x 52  
#23857



B x 10  
#PX.017



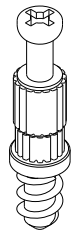
C x 2  
#CA.002



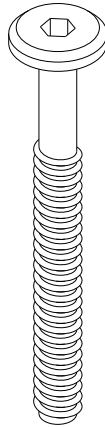
D x 1  
#2196



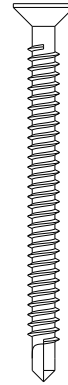
E x 20  
#69



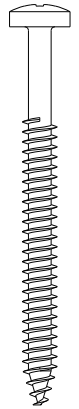
F x 26  
#10385



G x 6  
#292



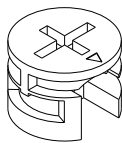
H x 6  
#11170



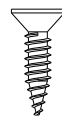
I x 4  
#284



J x 20  
#259



K x 26  
#10386



L x 28  
#1616



M x 34  
#393



N x 1  
#KT.002

## WHERE TO FIND THE ITENS

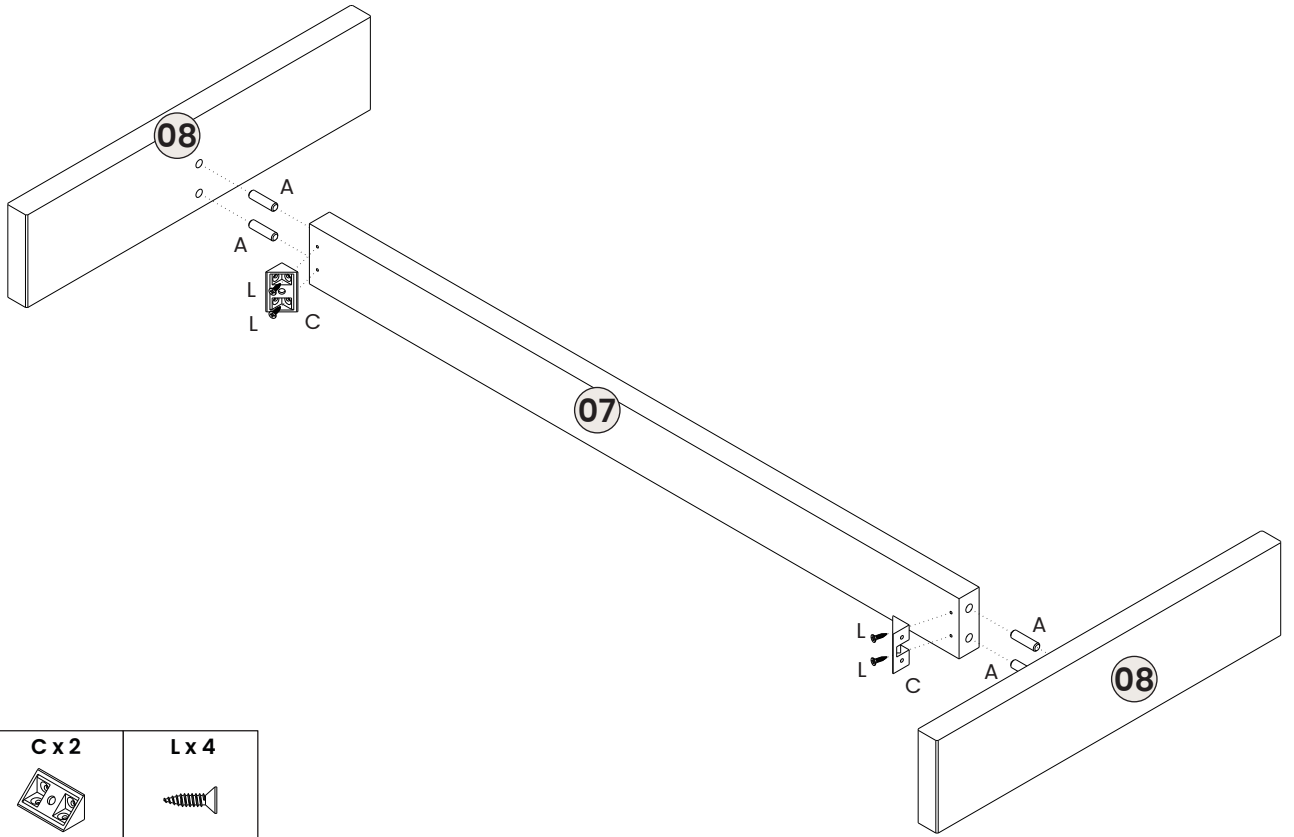
Box 1						
01	02	PX.017	69	11170	10386	KT.002
03	04	CA.002	10385	284	1616	23857
05	06	2196	292	259	393	

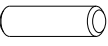


Box 2			
07	08	09	10
11	12	13	
14	15	16	

01

Fix the hardware C to part 07 with screw L.  
Then, attach the parts 07-08 with the hardware A.

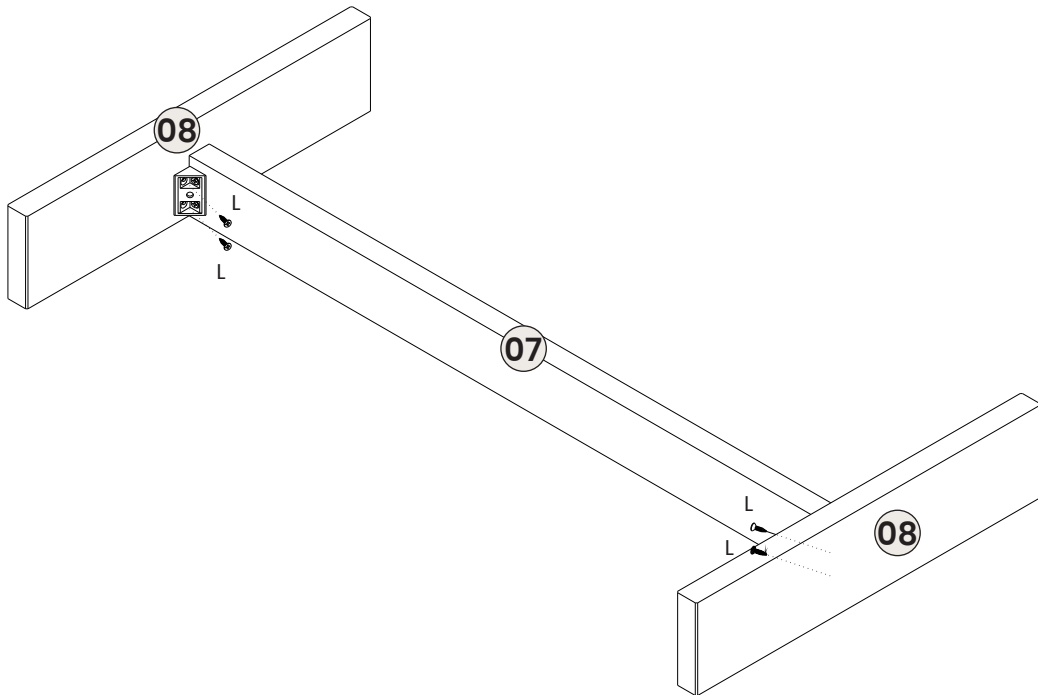
05




<b>A x 4</b>	<b>C x 2</b>	<b>L x 4</b>
		

02

Fix the part 07 to part 08 with screw L.

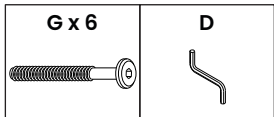
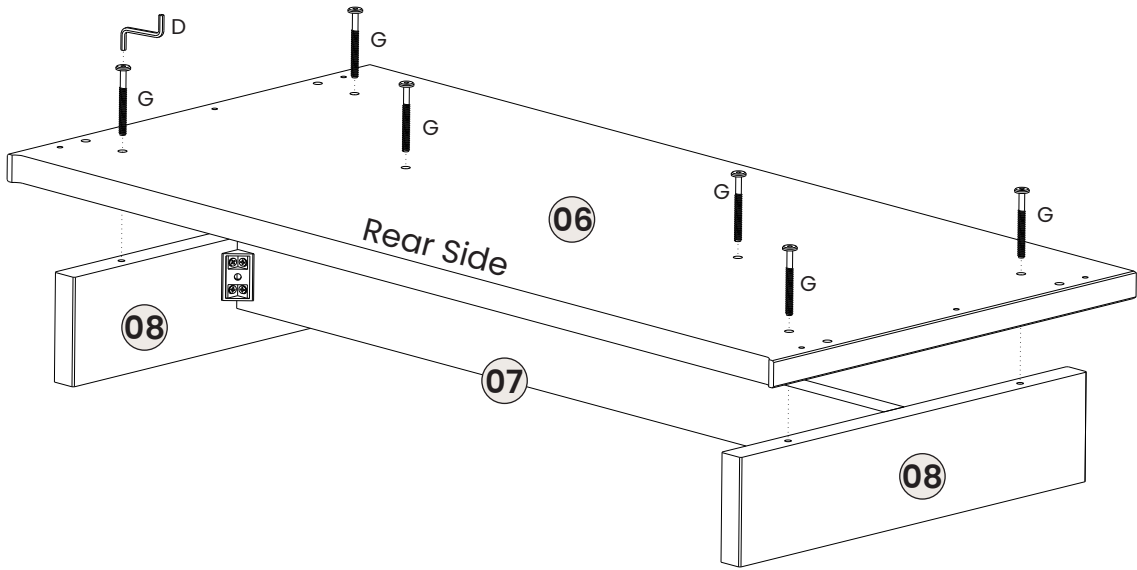


<b>L x 4</b>


03

Fix the part 06 to parts 07-08 with screw G and tool D.

06

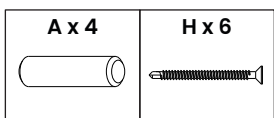
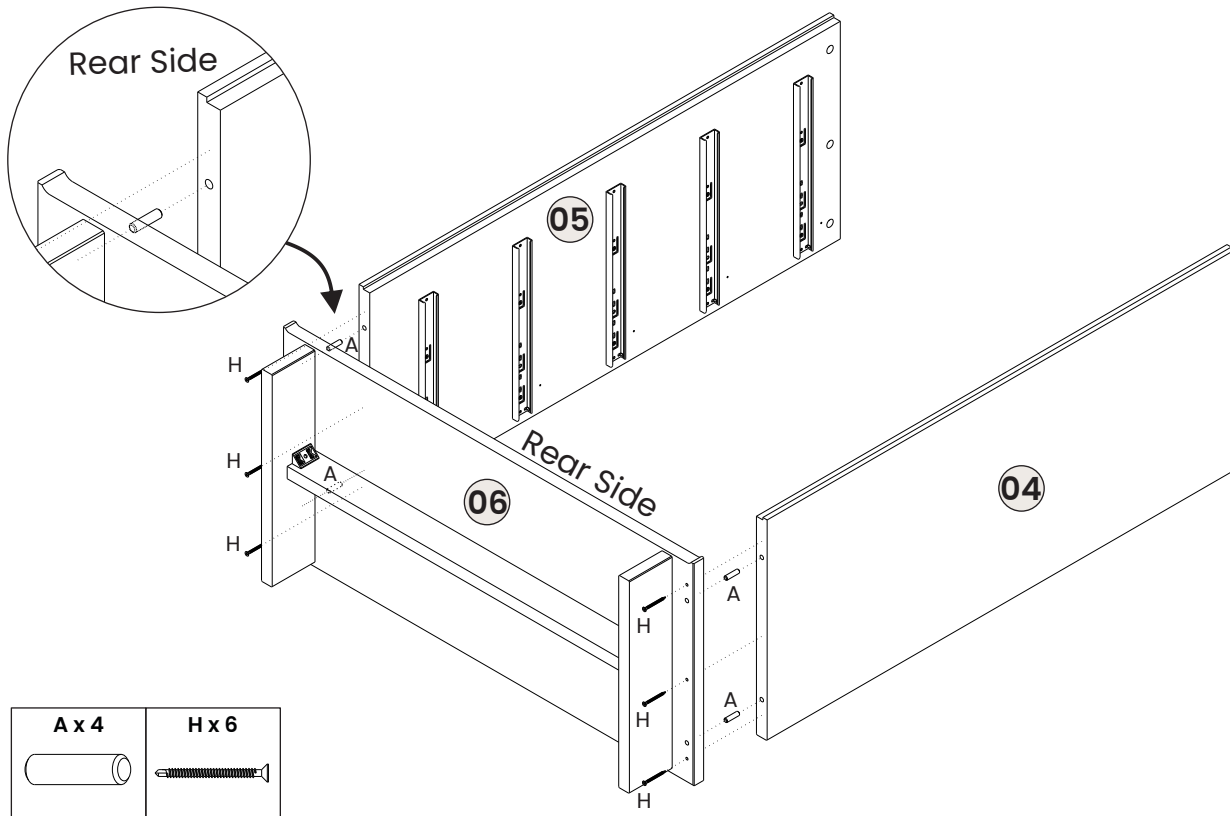


04

Attach the parts 04-05 to part 06 with hardware A.

Then, fix them with screw H.

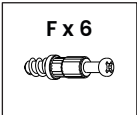
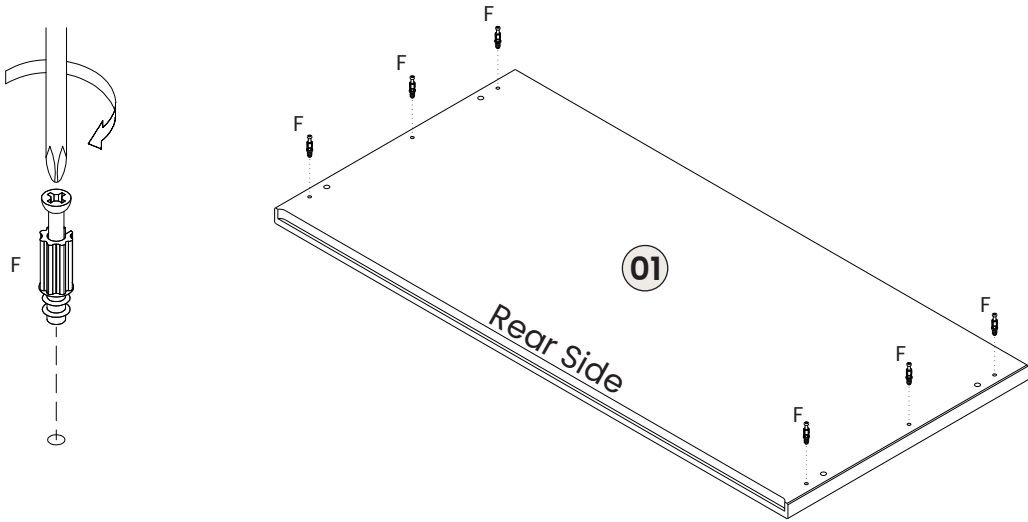
**Pay attention in detail to ensure correct assembling.**



05

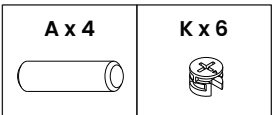
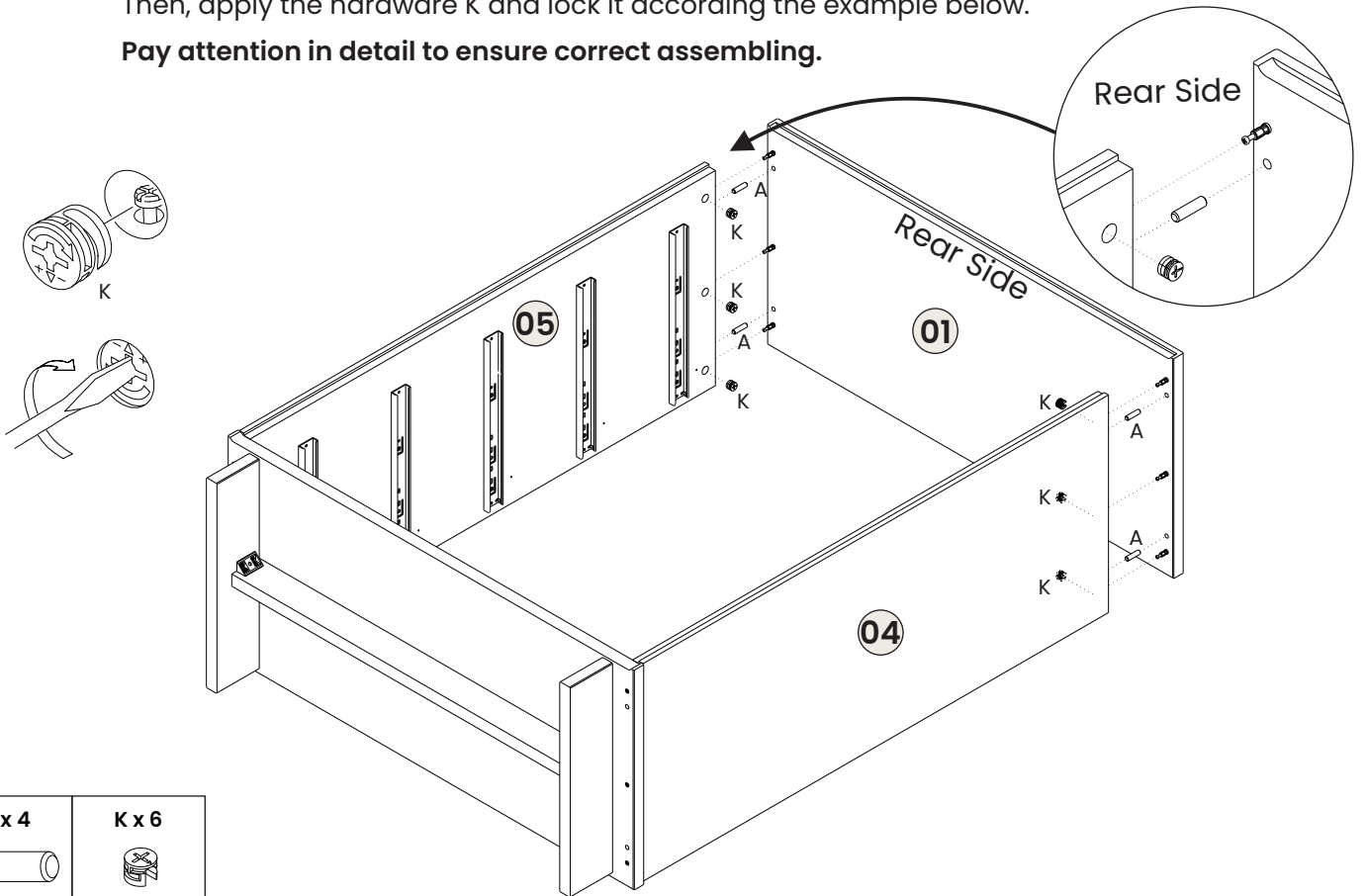
Fix the hardware F to part 01.

07



06

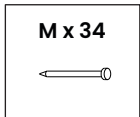
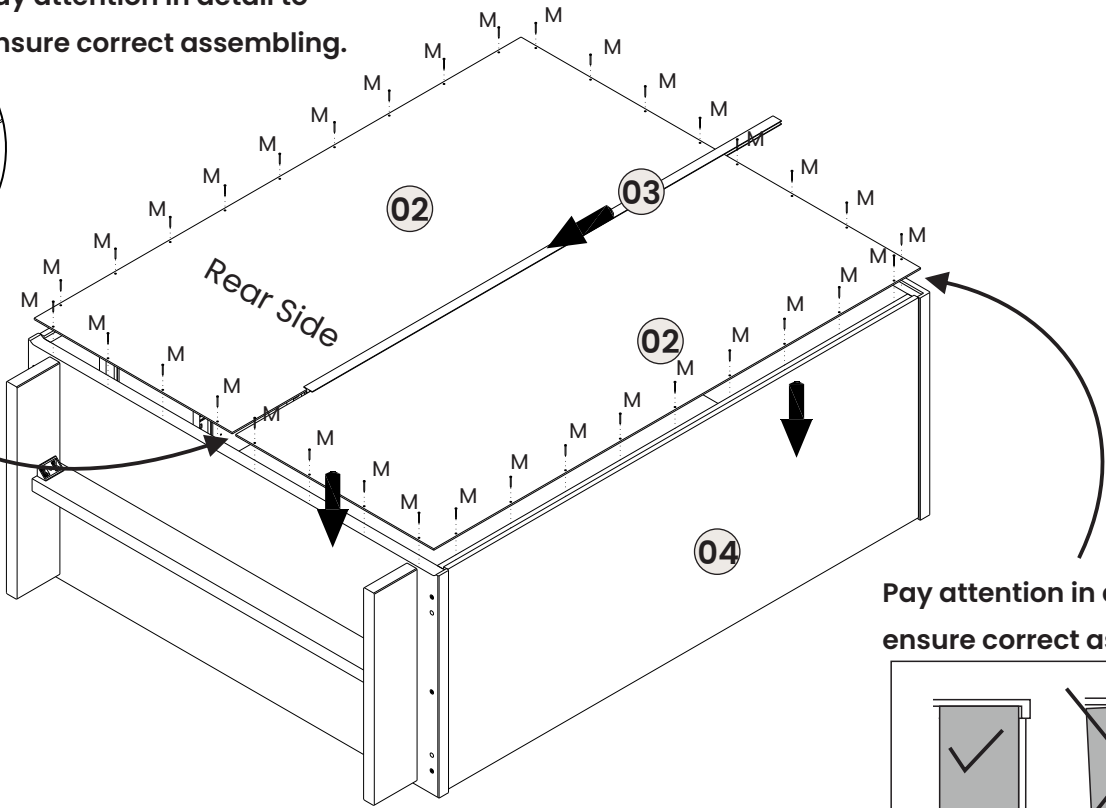
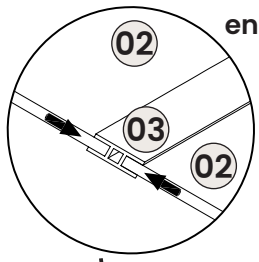
Attach the part 01 to parts 04-05 with hardware A.  
 Then, apply the hardware K and lock it according the example below.  
**Pay attention in detail to ensure correct assembling.**



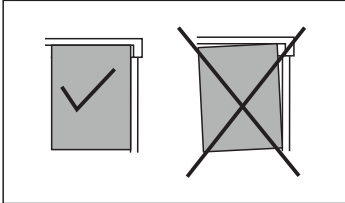
07

Attach the parts 02 to part 03 according the example.  
Then, position correctly both them and fix them with the hardware M.  
**Pay attention in detail to ensure correct assembling.**

08

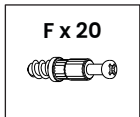
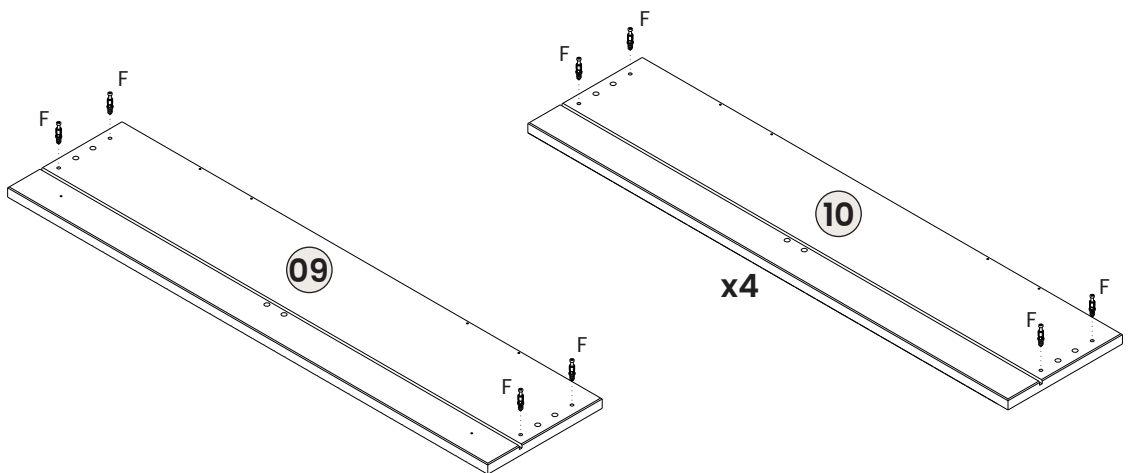
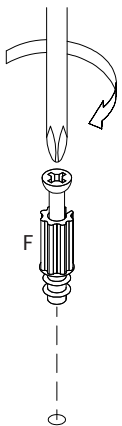


**Pay attention in detail to ensure correct assembling.**



08

Fix hardware #10385 to parts 09 and 10.



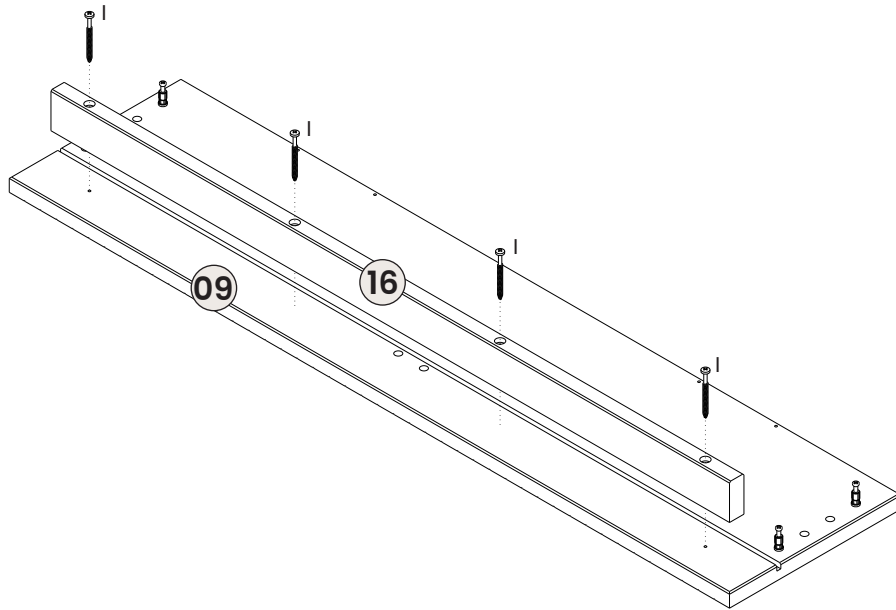


09

Specially to part 09, fix the part 16 with screw I.

**Please, start by fixing the ends. Then fix the intermediate screws.**

09



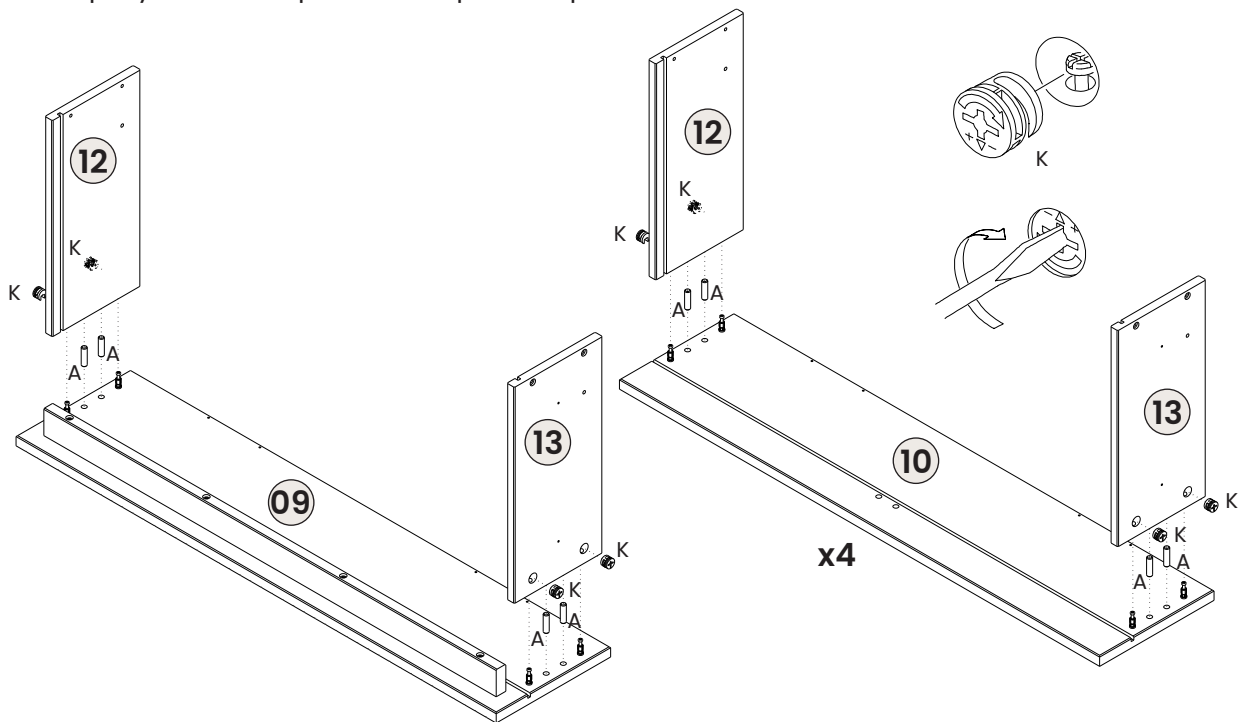
1 x 4

10

Attach the parts 09 to parts 12-13 with hardware A.

Then, apply the hardware K and lock it according the example below.

Equally, the same process is applied to parts 10-12-13.

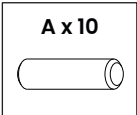
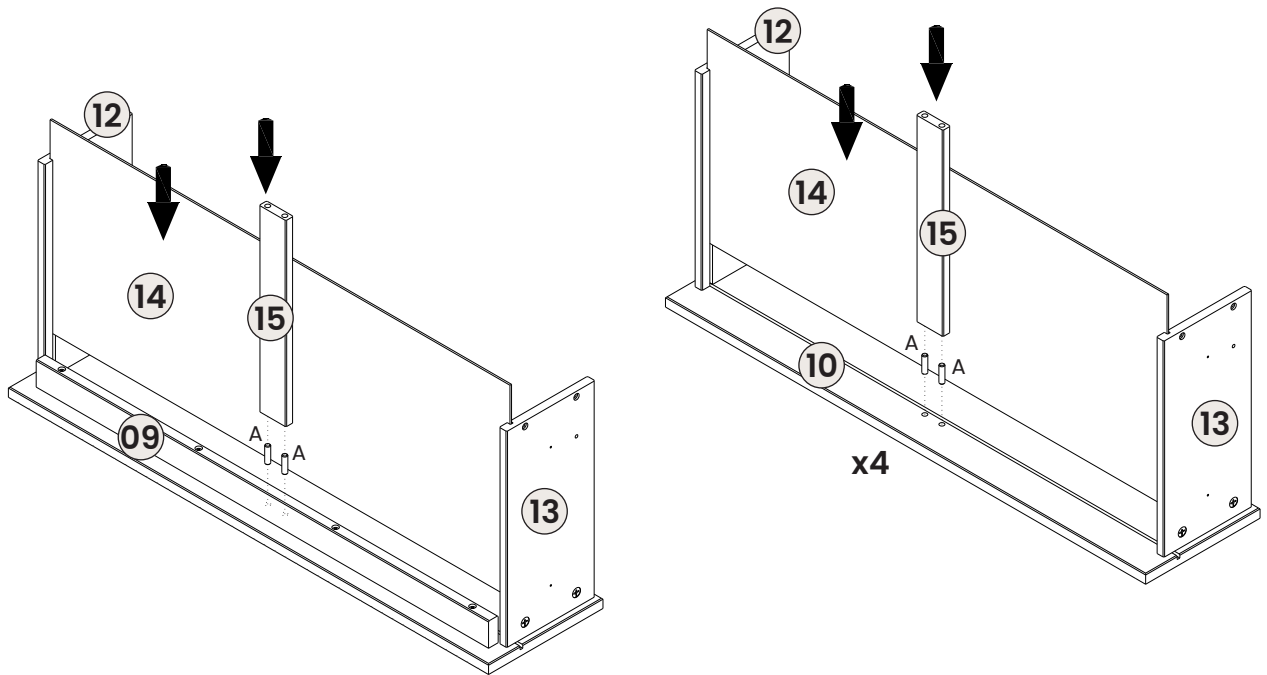


A x 20	K x 20

TOP DRAWER

11

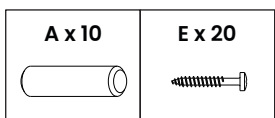
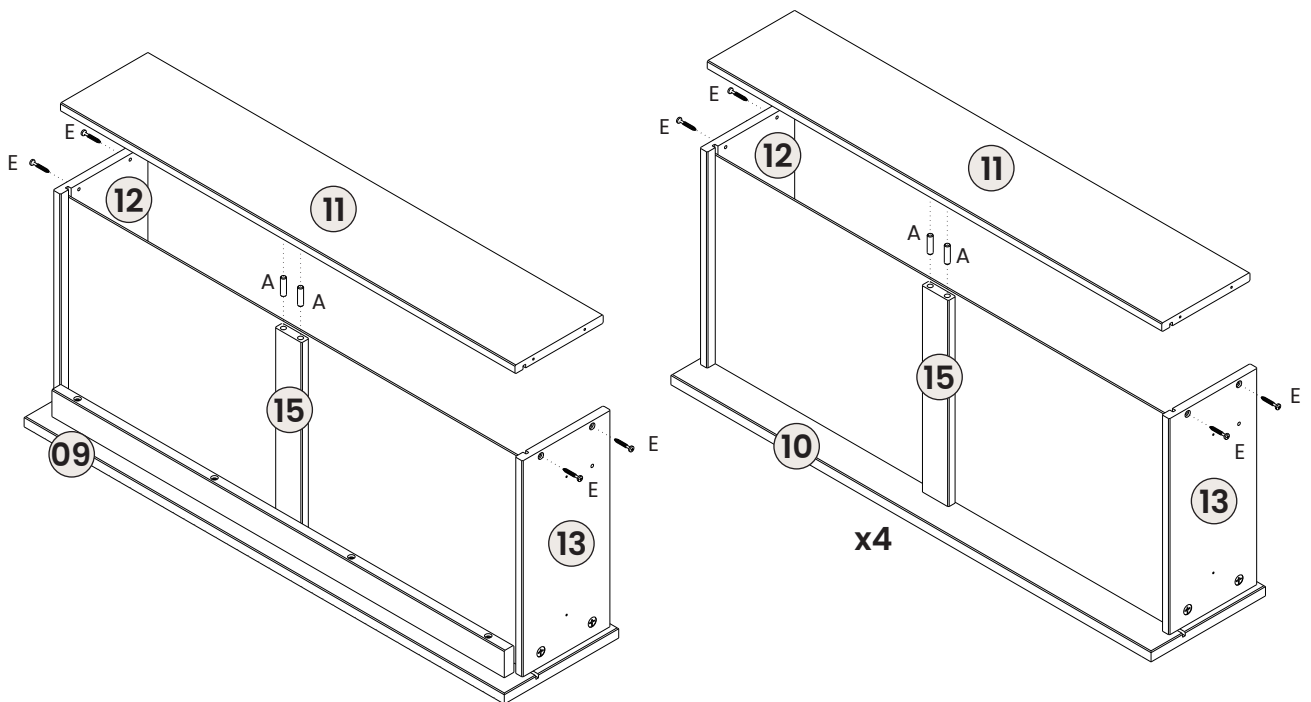
Apply the part 14 in the groove of the parts 12-13.  
Then, attach the part 15 to parts 09-10 with hardware A.



TOP DRAWER

12

Attach the part 11 to parts 12-13-15 with the hardware A.  
Then, fix the parts 12-13 to part 11 with screw E.

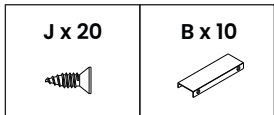
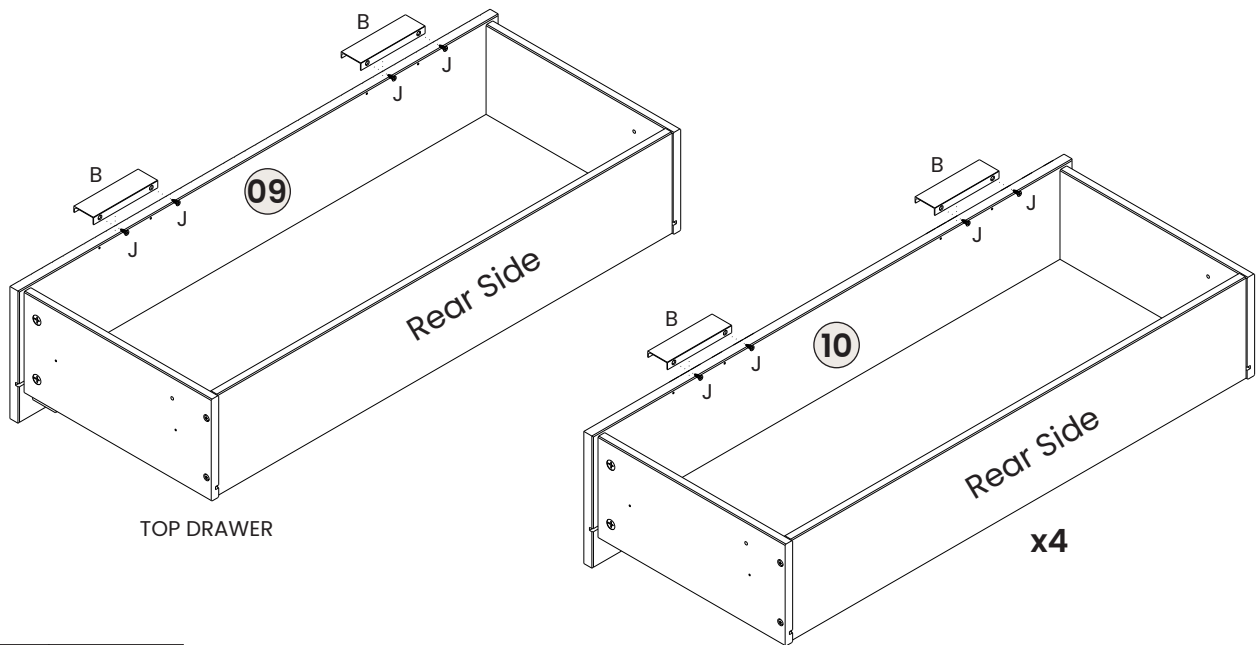


TOP DRAWER

13

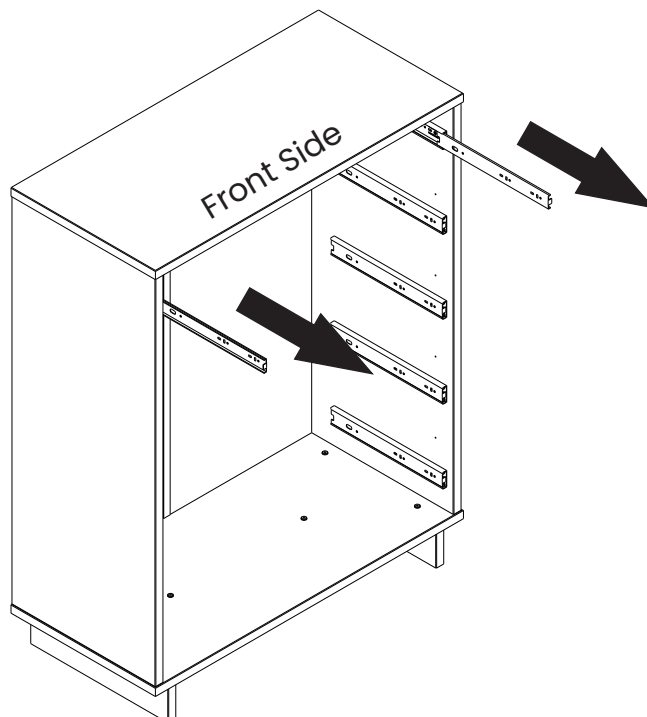
Apply the hardware B to parts 09-10.  
Then, fix them with screw J.

11



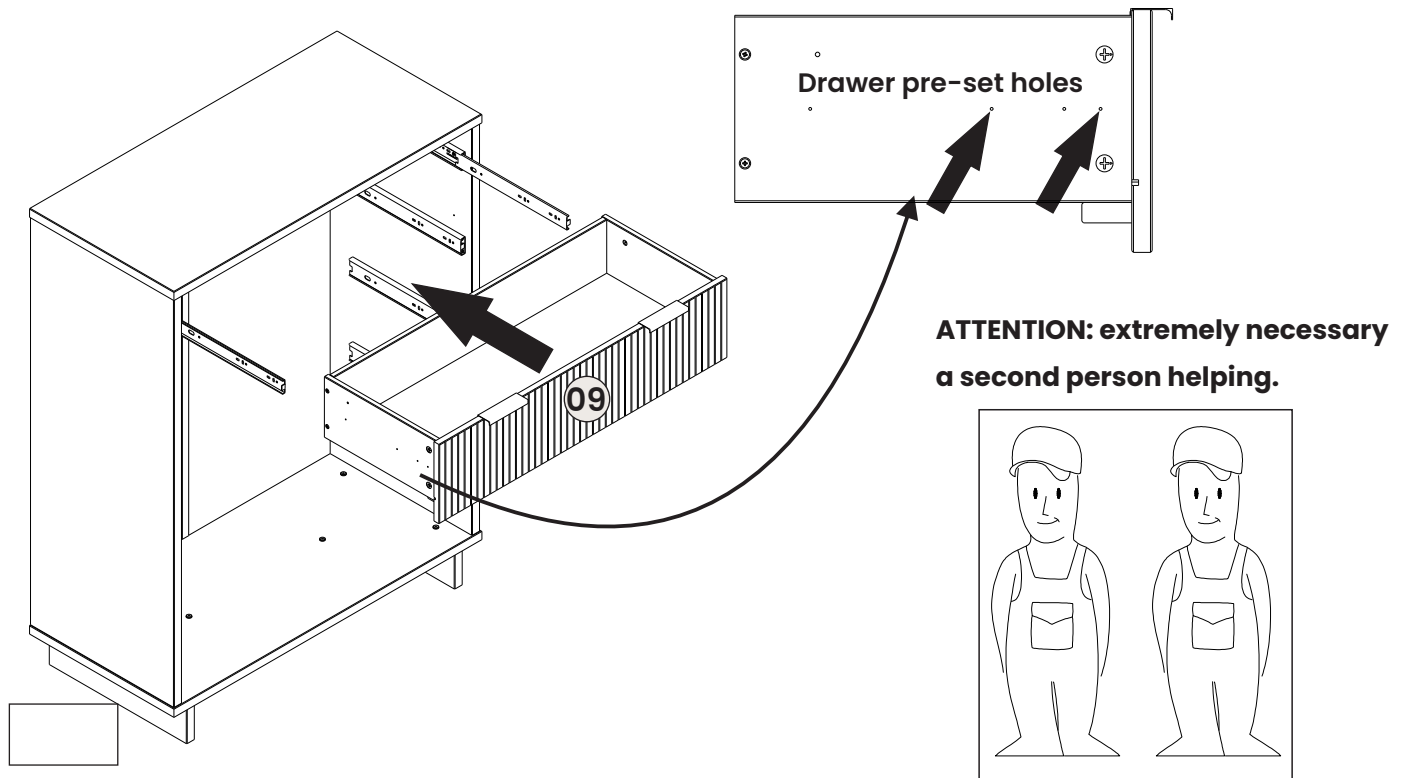
14

Before to fix the Drawers, you must extract the full extension of the Slides, by pulling off.  
Then, pay attention to the correctly holes according to the next steps.



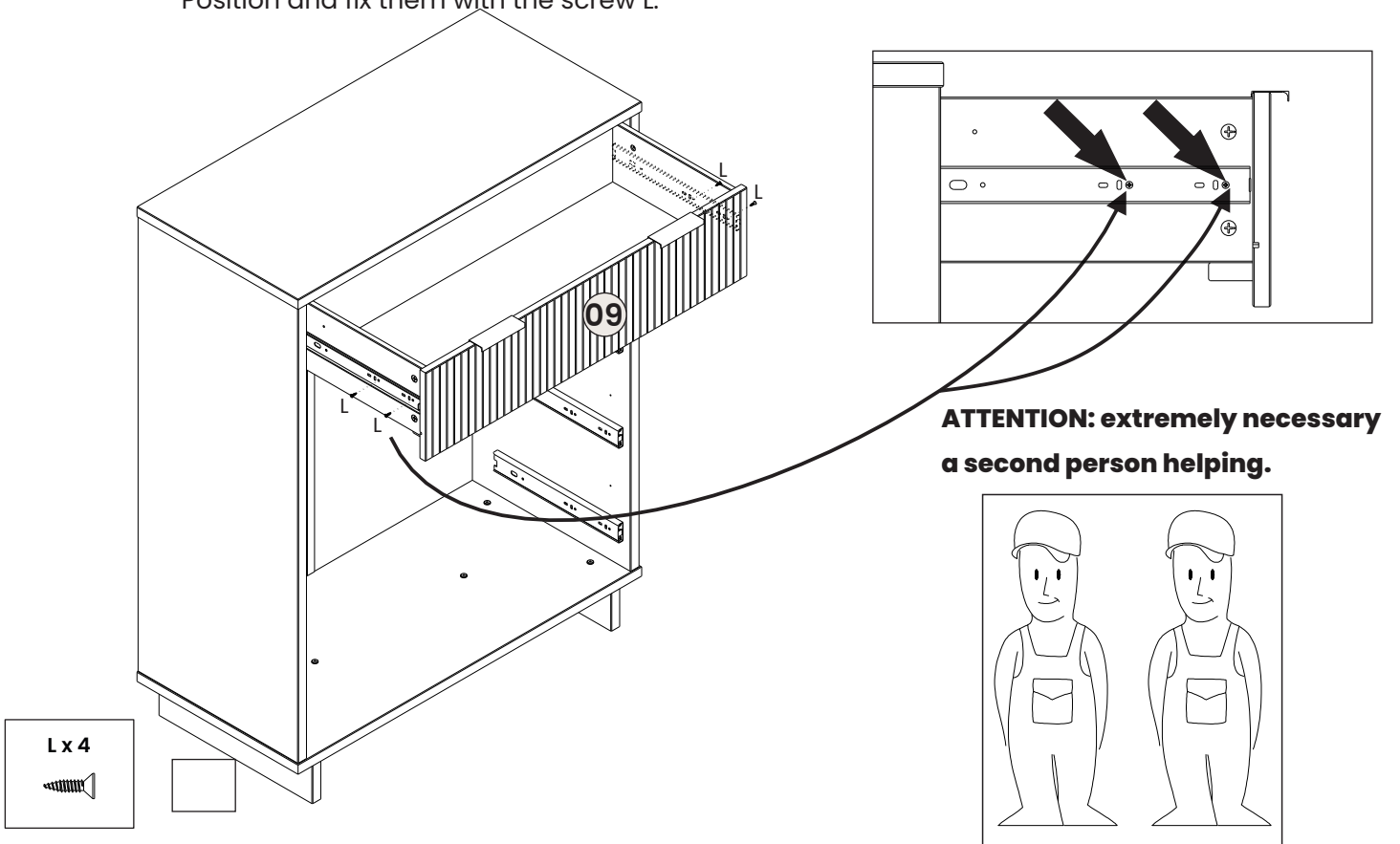
15

The Drawers have pre-set holes to help you on fixing them.  
Set the Drawer on correct position and pre-set holes, carefully.



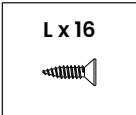
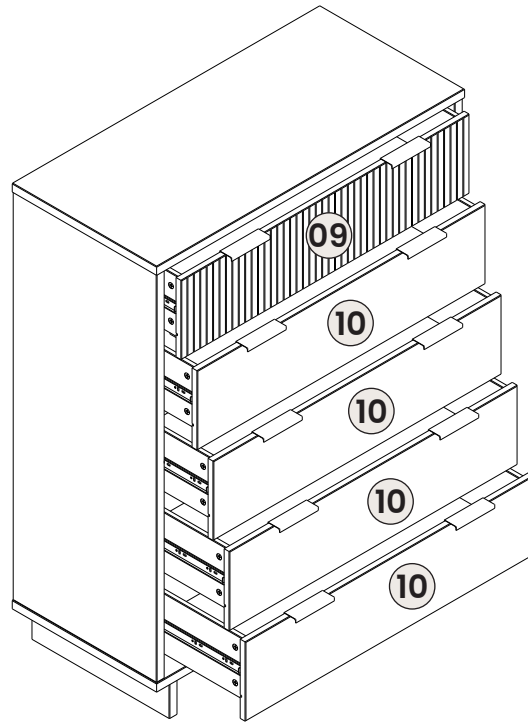
16

Firstly, make sure that the Drawer is correctly positioned according to the detail.  
The correct holes of the Slides must match with the pre-set holes of the Drawers.  
Position and fix them with the screw L.



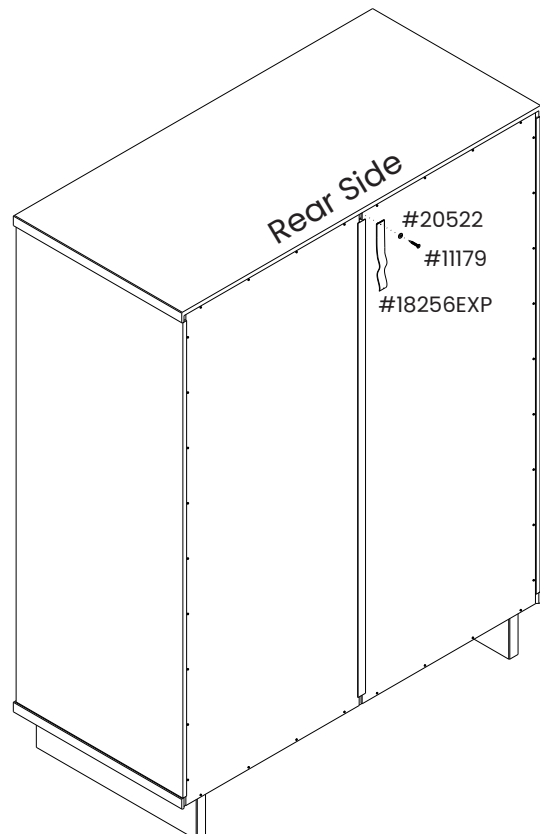
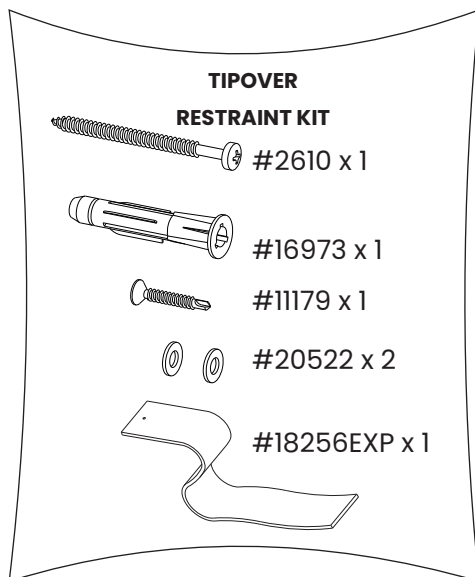
17

Apply the same fixing Drawers process to the others drawers.



18

You must install the Tipover Restraint Kit (N) provided, in the rear side of the furniture. Position the hardware #18256EXP and #20522. Fix them with screw #11179.

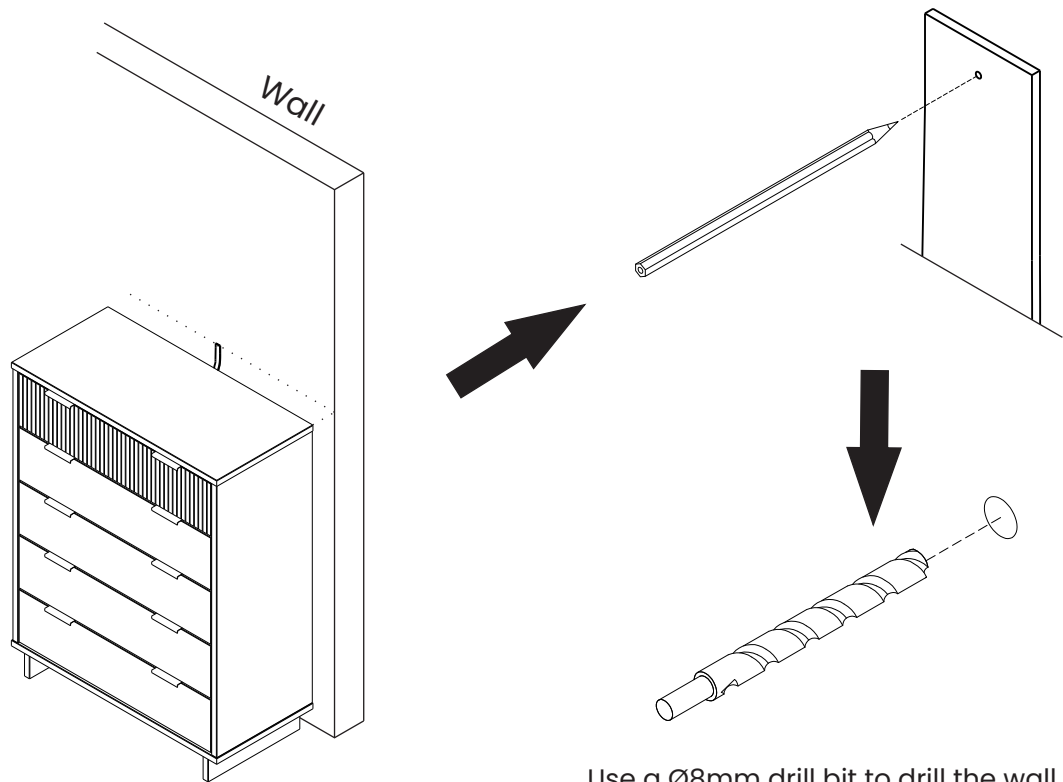


19

Approach the furniture as close as possible to the wall.

Then, mark with a pencil where you should drill the wall to put in the hardware.

14



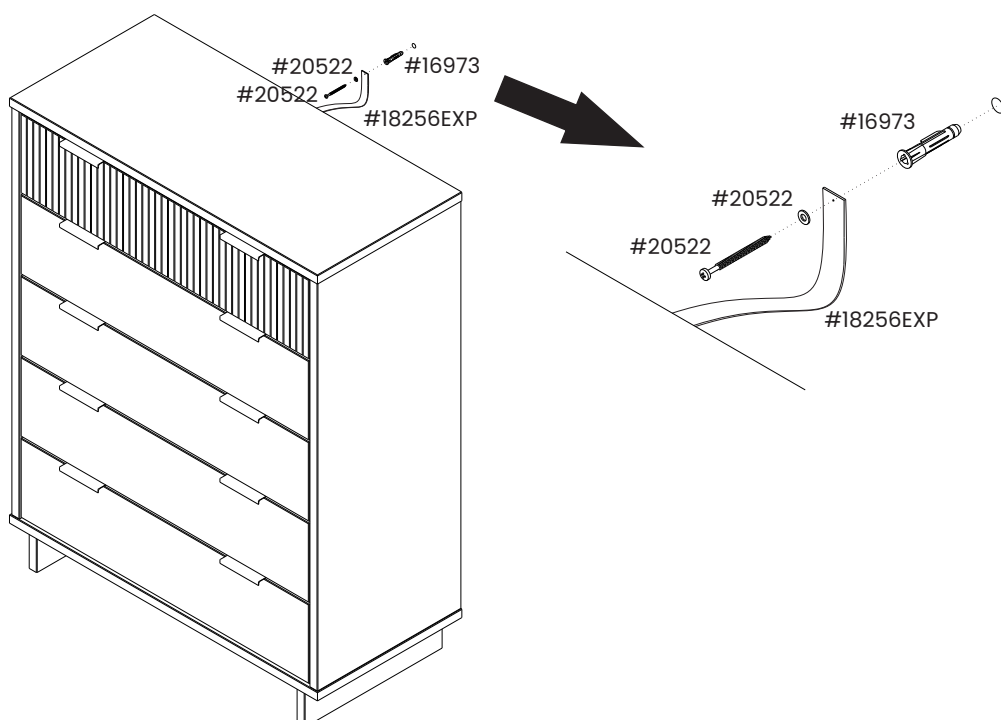
Use a Ø8mm drill bit to drill the wall.

20

Put in the hardware #16973 to the hole that you drilled on the wall.

Then, position the hardware #18256EXP and #20522.

Finally, fix them with screw #2610.





MANHATTAN  
COMFORT

---

## **WARRANTY POLICY**

All Manhattan Comfort furniture products are warranted, to the original purchaser at the time of purchase and for a period of 30 days thereafter.

Our warranty is limited to new products purchased in factory sealed cartons. This warranty is valid in the United States of America and Canada.

In order to provide you with timely assistance, please thoroughly inspect your furniture for missing or defective parts immediately after opening the carton.

Manhattan Comfort offers a 30-day parts replacement warranty on all items.

Our furniture products are not intended for outdoor use.

### **THE WARRANTY DOES NOT COVER:**

- Defects/damages by improper assembly or disassembly.
- Defects/damages caused by shipping. Claims for damage during transit should be placed immediately to the transportation company.
- Defects/damages caused by inappropriate use of the furniture.



319 Ridge Rd. Dayton, NJ 08810

908-888-0818