

Gold Series Shoebox Parking Light 240w & 300w



DESCRIPTION:

Touch-Plate's Parking Lights were designed to offer better security, more lumens, and higher cost savings. Our Parking Lights can offer energy savings of 70% or greater over traditional metal halide or high pressure sodium lighting, our LEDs are optimal for retrofit installations or new construction installations.

PRODUCT FEATURES:

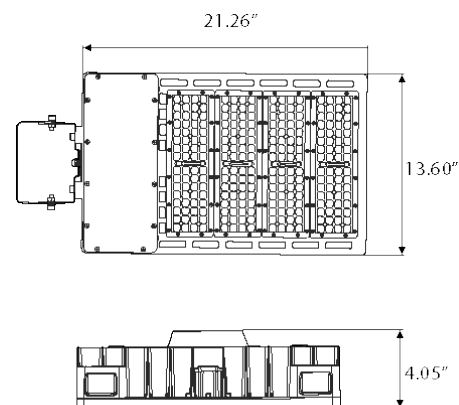
- Die - cast aluminum housing
- Cooling heatsink fins
- Multiple mounting options
- Surge Protection
- Lifetime of 50,000 hrs or greater
- UL Listed (E492863)
- DLC Listed
 - 240w (LS240WPL-MHXX)
 - 300w (LS300WPL-MHXX)
- 5 Year Limited Warranty

SPECIFICATIONS:

- Wattage: 240w & 300w
- Lumens: 36,000 (approx > 150lm/w) & 43,500 (approx > 145lm/w)
- Equivalence: 700w & 1000w HID/HPS/MH
- CRI: >70Ra
- IP Rating: IP65
- LED Chips: Lumileds 3030
- PF: >0.95

PHYSICAL PARAMETERS:

- Dimensions
 - Length: 13.60"
 - Width: 21.26"
 - Depth: 4.05"
- Weight
 - 18.74lbs (240w & 300w)





Gold Series Shoebox Parking Light

ORDERING GUIDE

LED Type XXX-	Lumens - Wattage XXX-XXX-	CCT XX	Voltage X-	Color X	Mounting Style X
<ul style="list-style-type: none"> PSB Parking Shoebox 	<ul style="list-style-type: none"> 360-240 36,000lm - 240w 435-300 43,500lm - 300w 	<ul style="list-style-type: none"> 30 3000k 40 4000k 50 5000k 	<ul style="list-style-type: none"> U 120-277v I 200-480v 	<ul style="list-style-type: none"> B Black Z Bronze G Gray W White 	<ul style="list-style-type: none"> R Direct Round S Direct Square F Slip-Fit T Trunion

ADDITIONAL ORDERING OPTIONS

(specified at time of order)

Beam Angle

- Type III (Standard)
- Type IV
- Type V

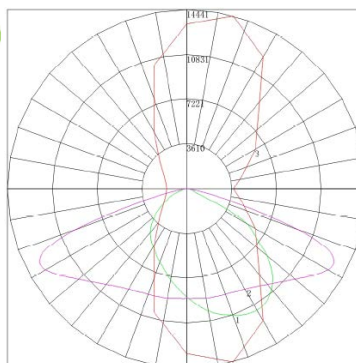
ACCESSORIES

(specified at time of order)

- Photocell Control (120-277v)
- Photocell Control (480v)
- Short Cap
- Surge Protection

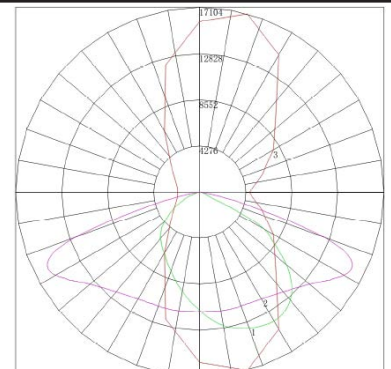
PHOTOMETRICS

240w



Maximum Candela = 1444.13 Located At Horizontal Angle = 75, Vertical Angle = 63
 # 1 - Vertical Plane Through Horizontal Angles (0 - 180)
 # 2 - Vertical Plane Through Horizontal Angles (90 - 270)
 # 3 - Horizontal Cone Through Vertical Angle (63) (Through Max. Cd.)

300w



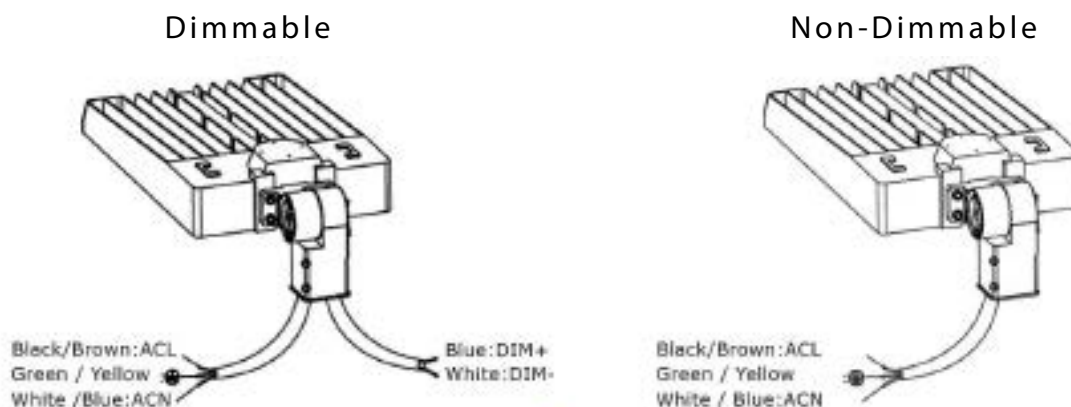
Maximum Candela = 1710.426 Located At Horizontal Angle = 75, Vertical Angle = 63
 # 1 - Vertical Plane Through Horizontal Angles (0 - 180)
 # 2 - Vertical Plane Through Horizontal Angles (90 - 270)
 # 3 - Horizontal Cone Through Vertical Angle (63) (Through Max. Cd.)

Gold Series Slimline Parking Light

INSTALLATION INFORMATION (WIRING)

This product must be installed in accordance with National Electrical Code(NEC) and/or applicable local codes, by a qualified electrician.

DANGER - RISK OF SHOCK - DISCONNECT POWER BEFORE INSTALLATION



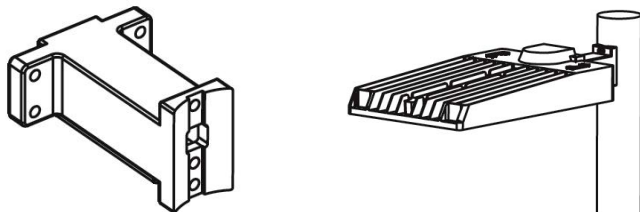
INSTALLATION INFORMATION

This product must be installed in accordance with National Electrical Code(NEC) and/or applicable local codes, by a qualified electrician.

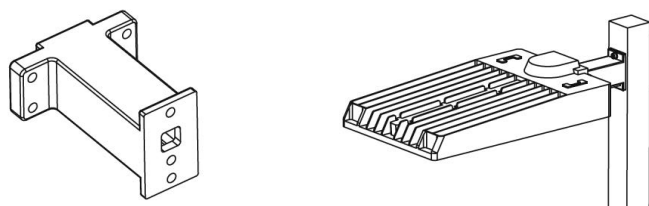
Direct Mount

- Affix the LED fixture with screws to the pole.

Direct Mount Round Pole



Direct Mount Square Pole



Slip-Fit Mount

- Turn the slip fit to the correct angle.
- Slip the fixture onto the post and then secure the fixture with the 4 screws to the post.

