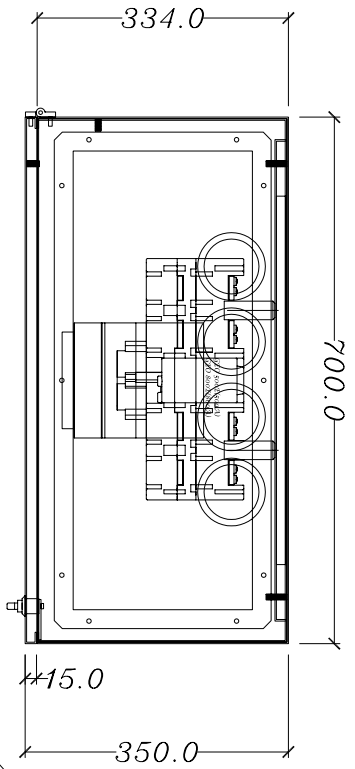


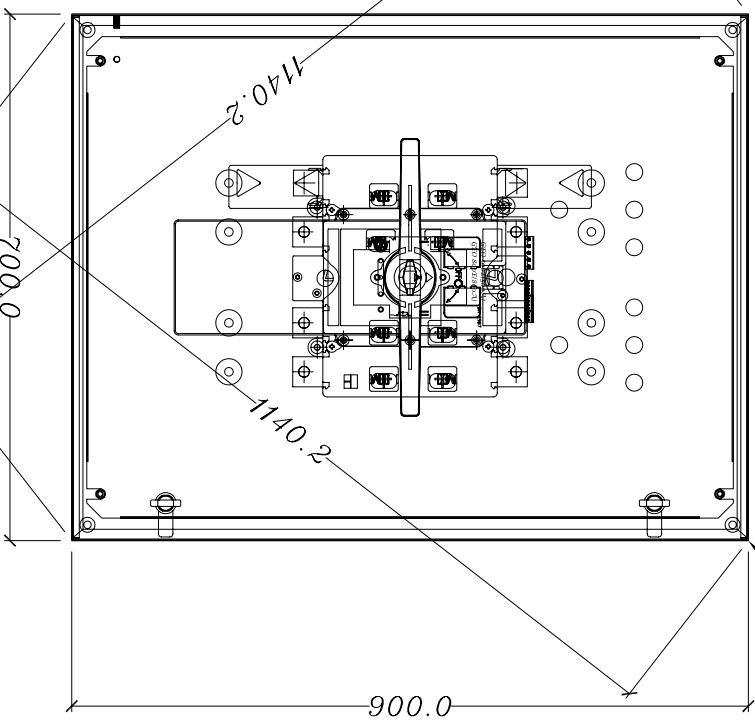
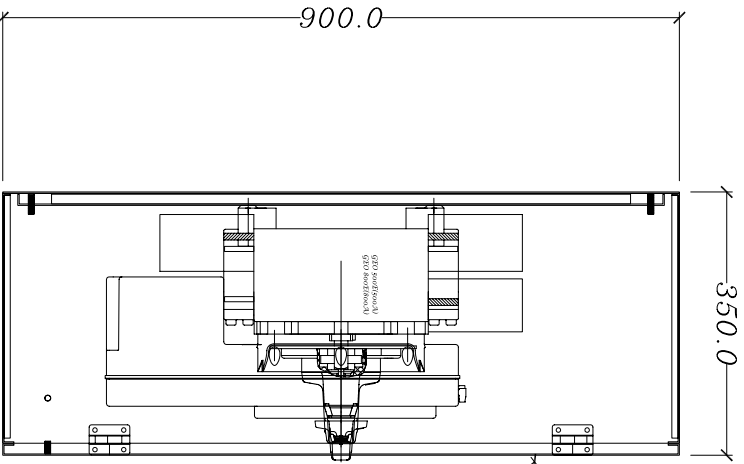
FABRICATION DRAWINGS

600 - 800 Amps - 400 kva

600 - 800 Amps - APPROX. WEIGHT - 70-100 kgs



ALL JOINT MAKE
FULL WELDING



PRECISION
INDUSTRIES

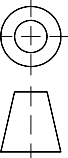
COMMENT:

Tel: 04 3384033
Fax: 04 3383997

P.O. Box 37448 Dubai UAE
Email: info@pi-dubai.com

This drawing is copyright and is the property of PRECISION IND. and must not be used without their knowledge nor communicated to any other person or company.

THIRD ANGLE
PROJECTION



FINISHED
SIZE
HOLE
CENTRES

CUSTOMER : -

MATERIAL : - M.S (MILD STEEL)

MAT. THICKNESS : - 1.5

ALL DIMENSION ARE IN MM

DRAWN BY

PADSON .R

DATE: - 29/07/2010

CHECK BY:

APP BY:

DRAWING NAME: