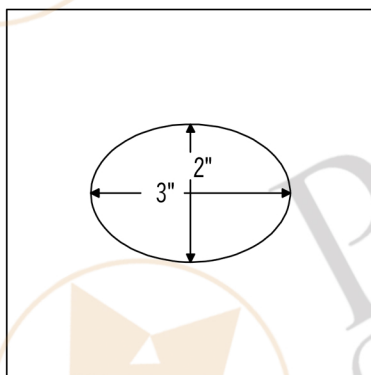
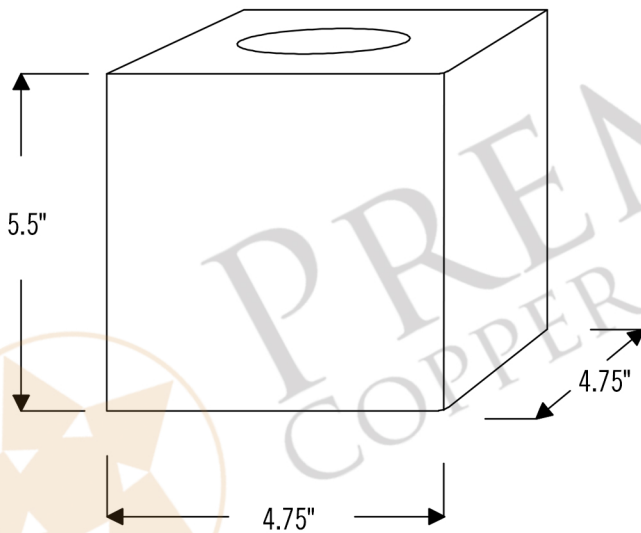




PREMIER
COPPER PRODUCTS

MODEL NUMBER: TBCSDB

- * Description: Small Hand Hammered Copper Tissue Box Cover
- * Outer Dimension: 4.75" x 4.75" x 5.5"
- * Oval Top Opening: 3" x 2"
- * Bottom Opening: Open
- * Finish: Oil Rubbed Bronze



THIS PRODUCT IS HAND CRAFTED, SMALL VARIANCES IN COLOR AND SIZE MAY OCCUR.
DO NOT MAKE ANY INSTALLATION CUTS UNTIL YOU RECEIVE YOUR ITEM(S).