

VOLVO

Service Manual

Fault tracing
Repairs and Maintenance

Section 3(39)

Wiring diagrams
Supplement

480

1992-1994

August 1993

TP 3906031



red480gt

Vehicles equipped with SRS

Warning:

Vehicles equipped with the Volvo Supplemental Restraint System (SRS) require special precautions when undergoing repair or servicing. Work on these vehicles should only be carried out by authorized Volvo mechanics.

Always refer to the SRS Service Manual.

Identification of vehicles with SRS

- The steering wheel is marked with the letters SRS.
- A special sticker is displayed on the windscreen.
- There is a sticker on the steering column universal joint.

SRS wiring harness

Cables must **never** be branched off the yellow SRS wiring harness !

When removing or fitting components, make sure that the wiring is not pinched off or damaged at any point.

SRS crash sensor

The SRS crash sensor is located in the centre console under the storage compartment.

Do not install accessories on or near the crash sensor.

Never unplug the connector from the sensor.

Repairs to the steering gear

Never release or dismantle the steering column/shaft or steering rack housing without first locking the contact reel and removing the steering wheel. Refer to the SRS Service Manual.

Volvo passenger cars are sold in different variants adapted to the specific requirements of the various countries. This market adaptation is based on such things as legal regulations, tax limitations and specific wishes of the market concerned.

For this reason illustrations and text may appear in this Service manual which are not relevant to the cars in your own country.

Contents

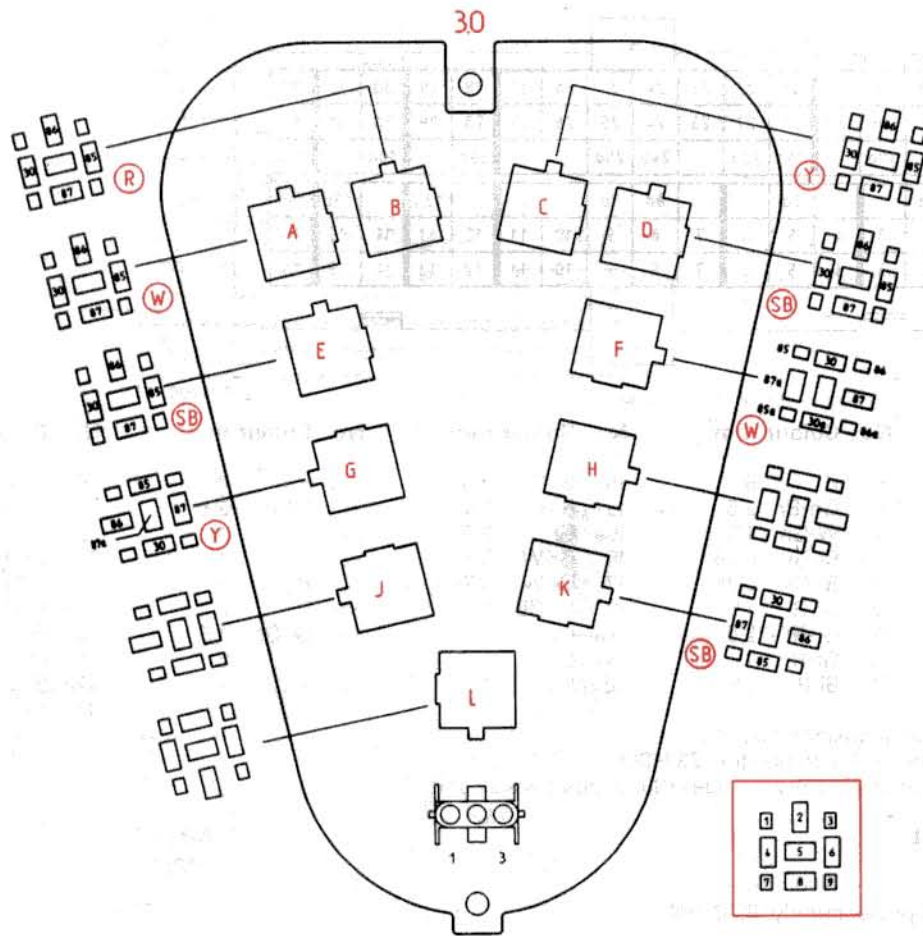


	Page
Contents	1
How to use the wiring diagrams	2
Fuses, location on the vehicle	3
Relays, location on the vehicle	4
Instrument panel	5
Group 23. Fuel System	
Fuel injection and ignition, B20F engine	6
Group 26. Cooling system	
Auxiliary water pump, B18FT engine	8
Group 35. Lighting	
Brake lights and bulb failure detector	10
Fog lights and rear fog lamps	12
Group 39. Radio	
Radio connections	14
Group 59. Anti-lock Brake System	
ABS Mk IV	16
Group 83. Doors, etc.	
Electrically operated door windows and tilting sun roof	18
Group 88. SRS	
Airbag	20
Numerical components list	22

Order number: TP 3906031

We reserve the right to make alterations

Relays, location on the vehicle



3-004/004

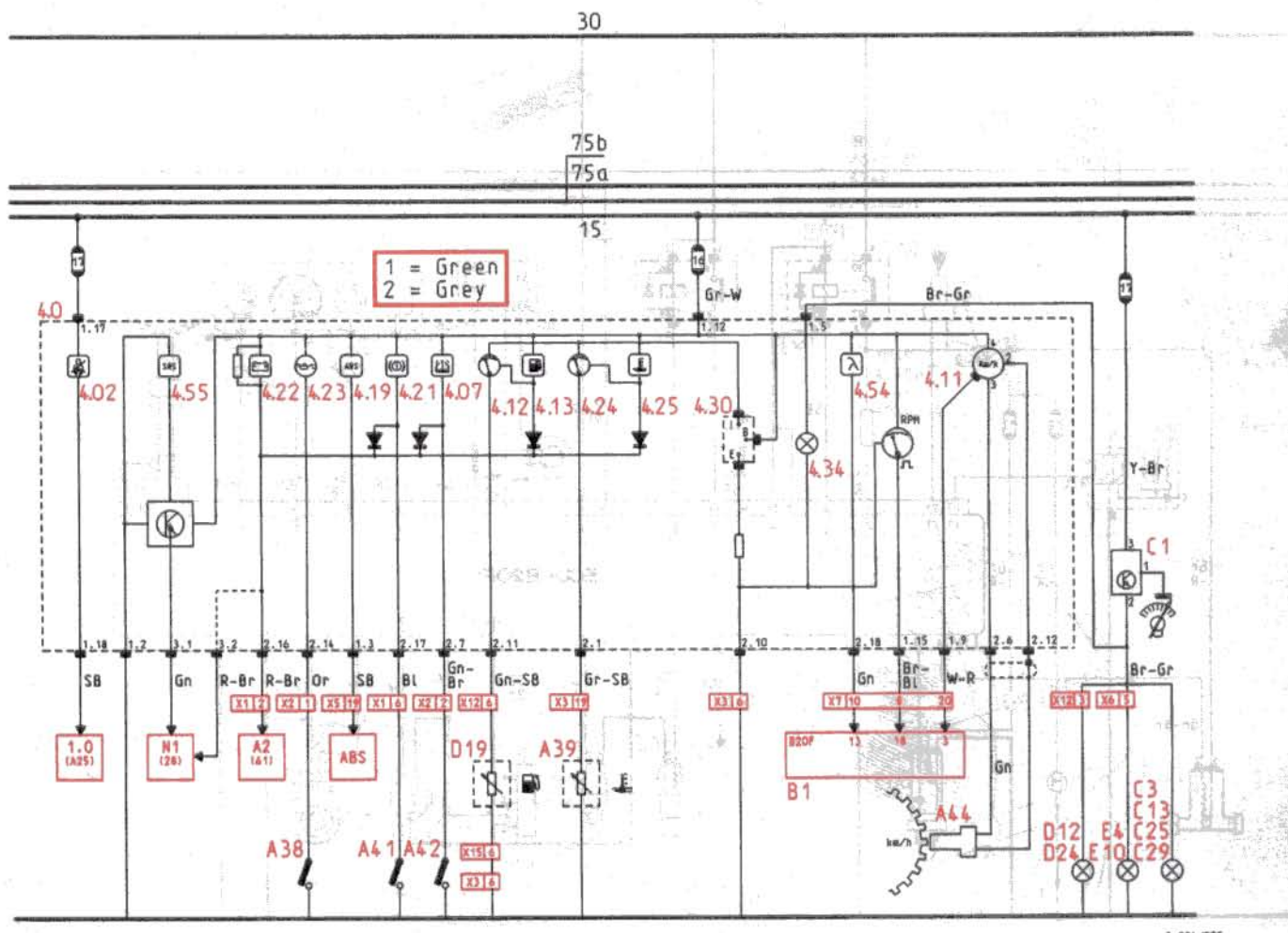
A second accessory relay has been added (3.05)

Relays used on the car

No.	Colour of relay base	Component
3.01	W	(A) Relay, headlights
3.03	Y	(C) Relay, terminal 15
3.04	R	(B) Relay, terminal 75a
3.05	SB	(K) Relay, terminal 75b
3.06	W	(F) Relay, headlight motors
3.07	Y	(G) Relay, rear fog lamps
3.08	SB	(E) Relay, fog lights
3.14	Y	(G) Inhibitor relay, dimmed-dip beams (GB)
3.22	SB	(D) Relay, auxiliary water pump
B2	SB	Relay, fuel injection system
B12	W	Fuel pump relay
E7	R	Time-delay relay, AC compressor
E8	SB	Relay, AC
E11	R	Relay, AC cooling fan, stage 2

B2, B12, E7, E8 and E11 are mounted on the bracket near the heater blower.

With effect from chassis no. 581112, the Electronic Information Centre on 480S models has been replaced by a temperature and fuel gauge. The connectors have not been changed (two 18-pin connectors).



3-004/005

Note:

A Malfunction Identification Lamp (MIL lamp, λ symbol) has been added to monitor the content of the exhaust emissions.

Terminals, connector c21 Gn (grey)

No.	Cable colour	Component
1	Bl-Gn	Fuse 31
2	Br	Earth
3	SB	ABS
4	Y	Oil level transmitter
5	Br-Gr	Rheostat, lighting
6	Y-SB	'Door open' warning lamp
7	Br	Earth
8	Y-W	Rear window heating
9	W-R	Hall transmitter - ECU
10	Br-Bl	Fuse 28
11	Gn-R	LH direction indicator
12	R-W	Fuse 16
13	Bl-Gr	Rear fog lamp
14	Bl-Y	Fog lights
15	Br-Bl	Rev-counter signal - ECU
16	Gn-SB	Hazard warning lights
17	Gr-W	Seat belt
18	SB	Seat belt - CEM

Terminals, connector c20 Gr (grey)

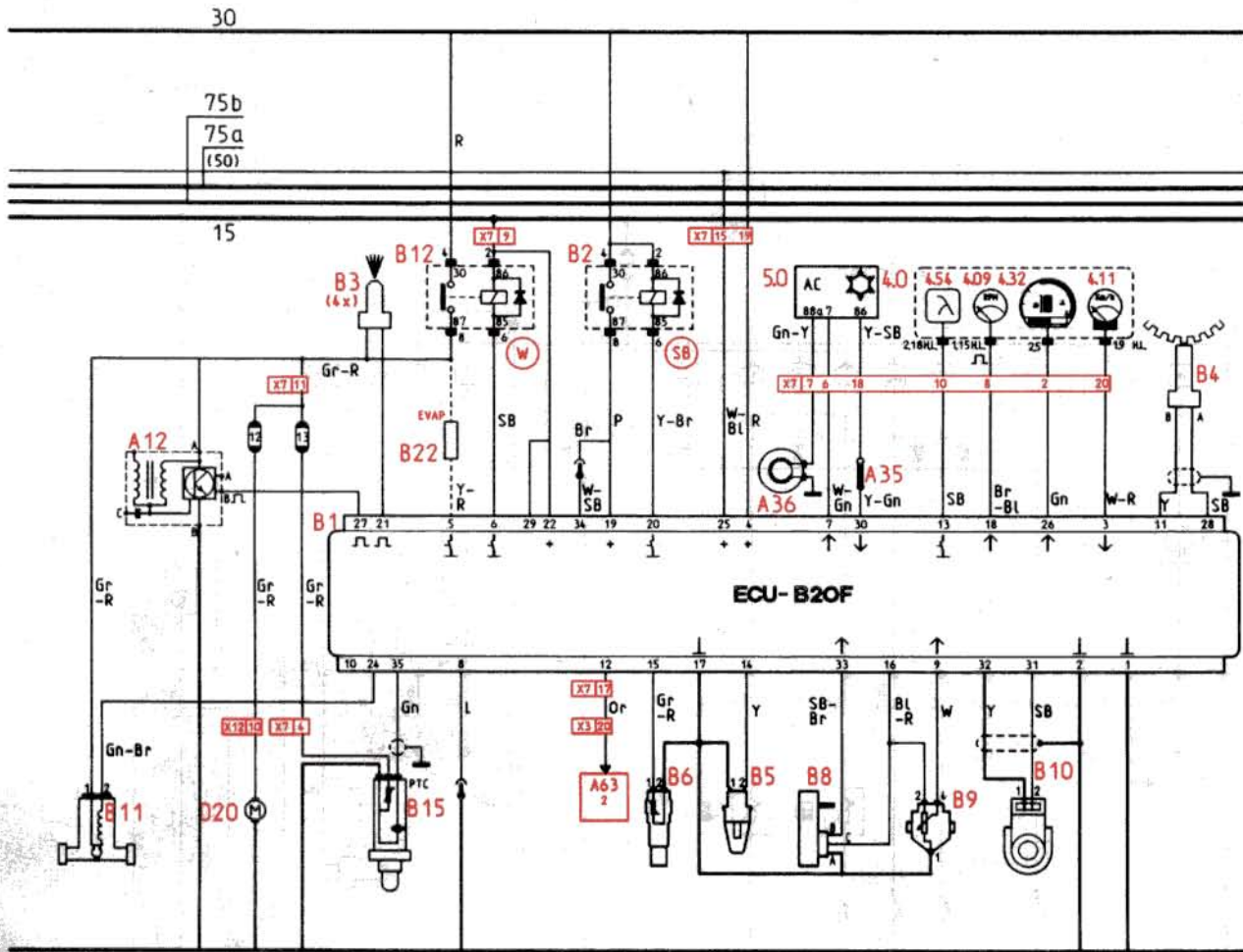
No.	Cable colour	Component
1	SB	Coolant temperature transmitter
2	Gr	Oil level transmitter
3	Gr-R	Fuse 21
4	W-Bl	Ambient air temperature transmitter
5	Gn	Injection signal - ECU
6	W	Speed transmitter
7	Gn-Br	Float, washer fluid
8	-	-
9	W	Oil temperature transmitter
10	Br-Bl	Earth, sensors
11	Gn-SB	Tank float unit
12	Bl	Earth, speed transmitter
13	Bl	Bulb failure detector
14	Or	Oil pressure switch
15	Gn-Y	RH direction indicator
16	R-Br	Alternator
17	Bl	Float, brake fluid/handbrake
18	SB	MIL (exhaust emission monitoring)

Terminals, connector c75 Gr

1	Gn	SRS
2	R-Br	Alternator signal (output)

Fuel injection and ignition, B20F engine

With effect from chassis no. 581012.



3-004/006

- 4.0 Instrument panel
- 5.0 Ventilation and heating module (VM)
- A12 Electronic ignition unit
- A35 Low pressure switch, AC
- A36 Compressor clutch, AC
- A63 Diagnostic tester
- B1 ECU, fuel injection system
- B2 Relay, fuel injection system
- B3 Injector(s)
- B4 Engine speed transmitter, flywheel
- B5 Intake air temperature transmitter
- B6 Coolant temperature transmitter
- B8 Air pressure transmitter, fuel injection system
- B9 Throttle valve switch
- B10 Knock sensor
- B11 Idle speed regulating valve
- B12 Fuel pump relay
- B15 Oxygen sensor
- B22 EVAPD20
- D20 Fuel pump, fuel injection system
- X3 20-pin connector (black)
- X7 20-pin connector (red)
- X12 20-pin connector (white)

Fuel injection and ignition, B20F engine

With effect from chassis no. 581012.

B8

A = Br
B = SB-Br
C = Bl-R

B1

18
35
19

B2

30=R
85=R
86=Y-Br
87=P

(SB)

B10

1=Y
2=SB

(SB)

A35/A36

1 = Gn-Y
2 = Br
3 = Y-SB
4 = Gn-Y

1 = Br	11 = Y	21 = Gn	31 = SB
2 = Br	12 = Or	22 = Gr	32 = Y
3 = Gr	13 = --	23 = W-Br	33 = SB-Br
4 = R	14 = Y	24 = Gn-Br	34 = W-SB
5 = Y-R	15 = Gr-R	25 = W-Bl	35 = Gn
6 = SB	16 = Bl-R	26 = Gn	
7 = W-Gn	17 = Br	27 = Br-Gr	
8 = L	18 = Br-Bl	28 = SB	
9 = --	19 = P	29 = Gr	
10 = --	20 = Y-Br	30 = Gn-Y	

B12

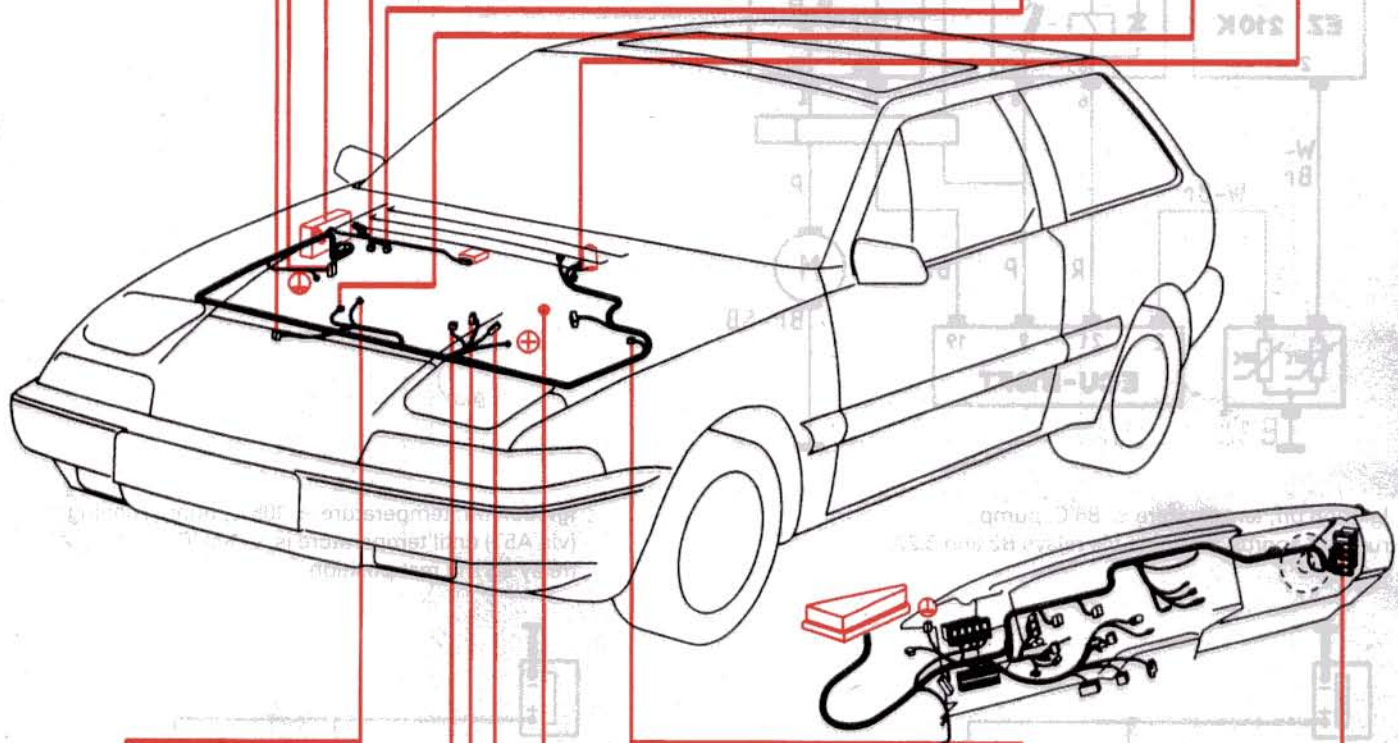
30=R
85=SB
86=Gr
87=Gr-R

(W)

A12

<I>
A=Gr-R
B=Br

<II>
B=Br-Gr



B11

1 = Gr-R
2 = Gn-Br

(Gr)

B6

1

(Bl)

B9

1=Br
2=Bl-R
3=W

B15

X7

14 20
8 13
1 7

(R)

B5

1=Br
2=Y

(W)

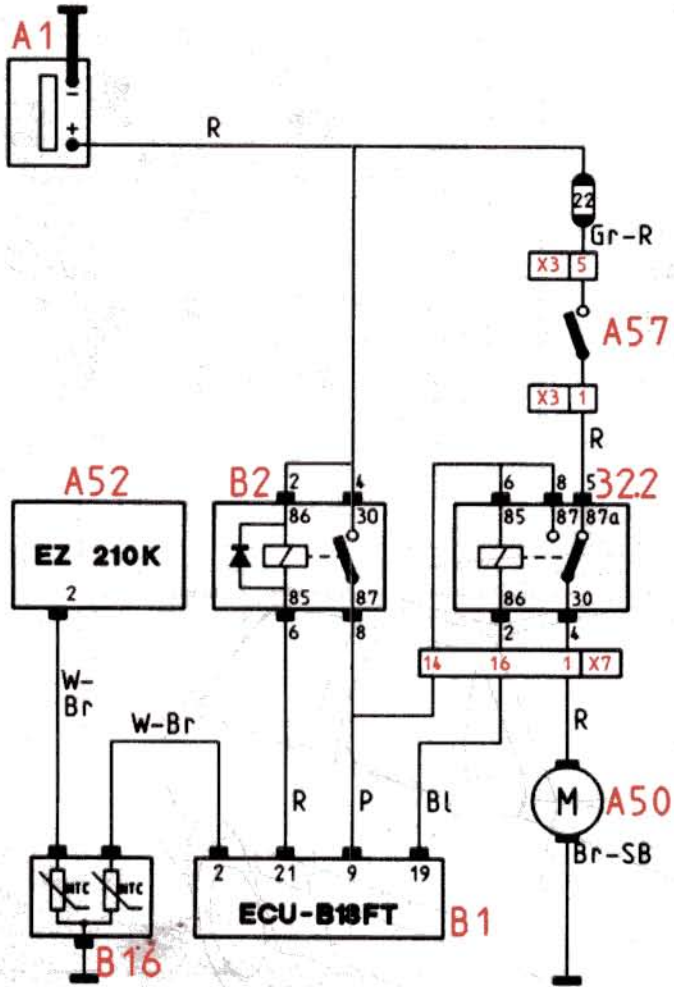
B4

A=SB
B=Y

1 = --	11 = Gr-R
2 = Gn	12 = --
3 = --	13 = --
4 = Gr-R	14 = --
5 = W-Br	15 = W-Bl
6 = W-Gn	16 = --
7 = Gn-Y	17 = Or
8 = Br-Bl	18 = Y-SB
9 = Gr	19 = --
10 = --	20 = W-R

Auxiliary water pump, B18FT engine

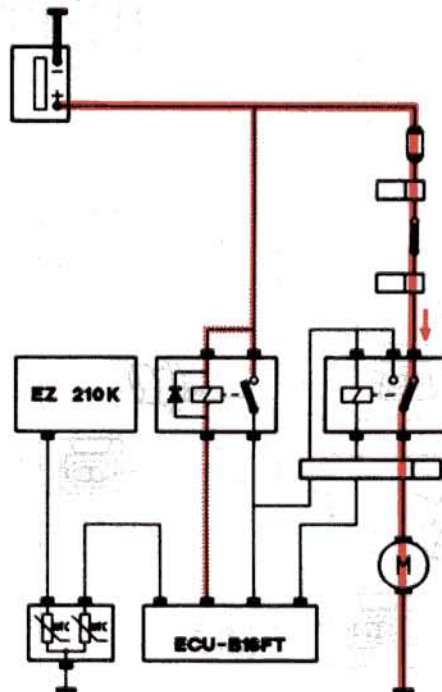
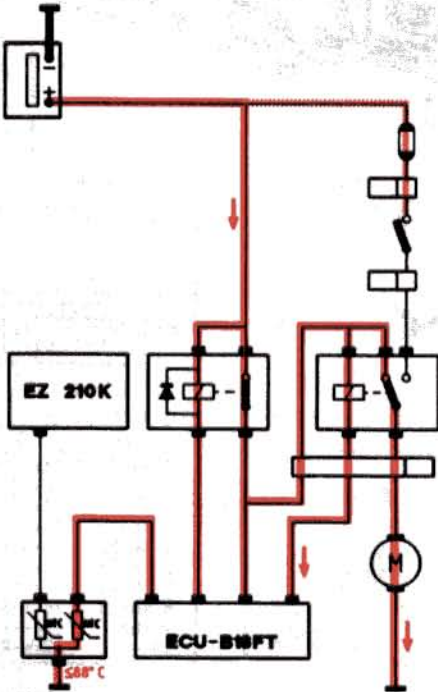
With effect from chassis no. 577284.



- 3.2.2 (D) Relay, auxiliary water pump
- A50 Auxiliary water pump
- A52 Electronic ignition, B18FT
- A57 Temperature sensor, auxiliary water pump
- B1 ECU, fuel injection system
- B2 Relay, fuel injection system
- B16 Coolant temperature transmitter, B18FT
- X3 20-pin connector (black)
- X7 20-pin connector (red)

Ignition off, temperature $\leq 88^\circ\text{C}$, pump running approx. 1 minute via relays B2 and 3.2.2.

Ignition off, temperature $\geq 105^\circ\text{C}$, pump running (via A57) until temperature is $\leq 100^\circ\text{C}$ (relay 3.2.2 in rest position).

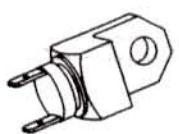


3-004/008

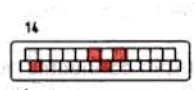
Auxiliary water pump, B18FT engine

With effect from chassis no. 577284.

A57



B1
B18FT

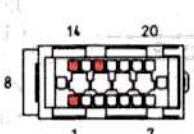


14

1

2 =W-Br
9 =P
19=Bl
21=R

X7



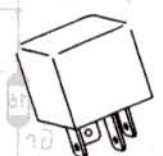
14 20

8 13

1 7

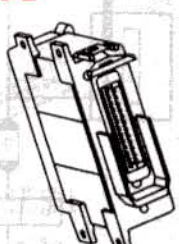
1 =R
14=P
16=Bl

B2

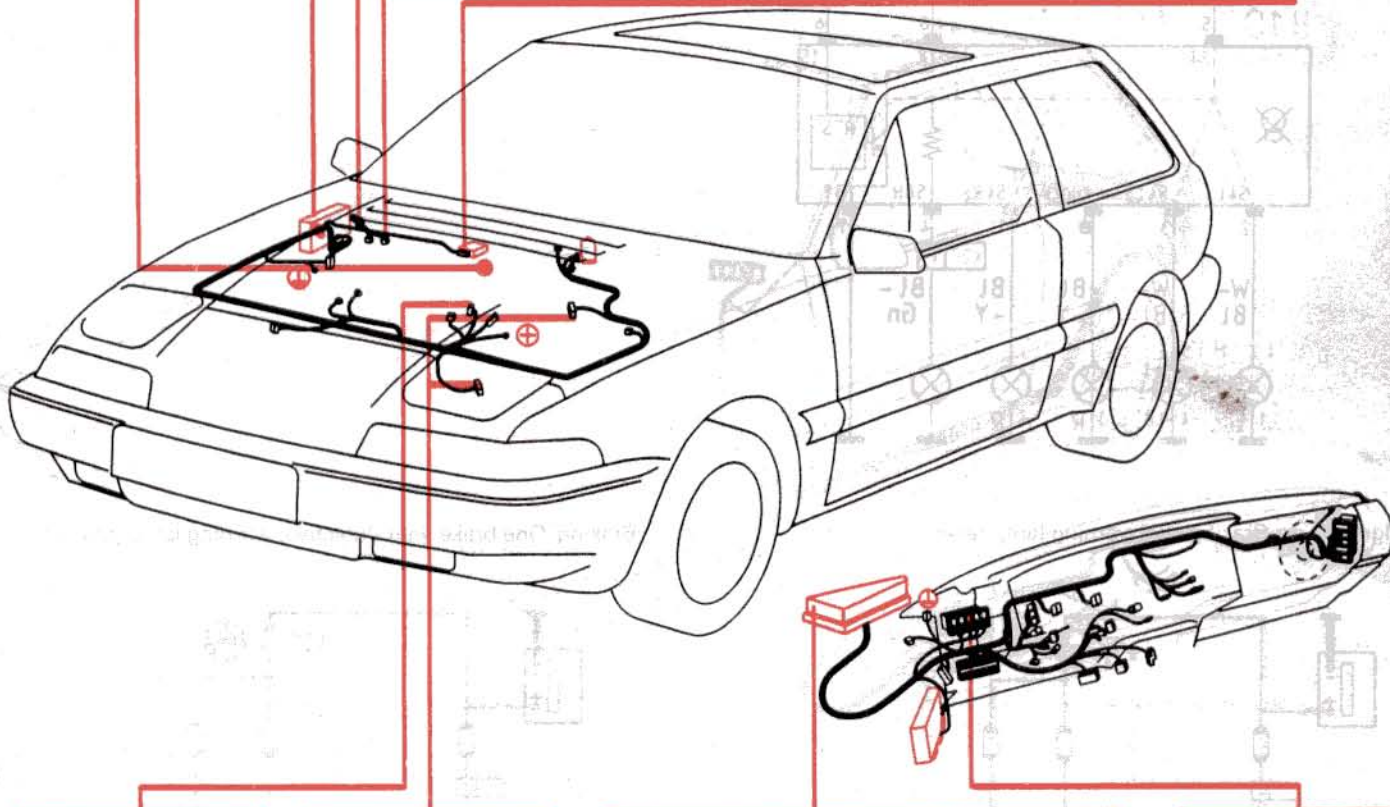


30=R
85=R
86=R
87=P

A52



2 =W-Br



B16
B18FT




1

1 =W-Br
2 =W-Br

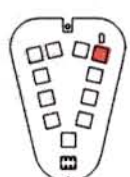
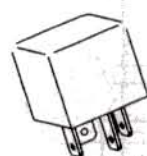
(R)

A50



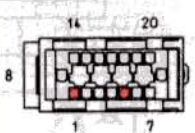
R
Br-SB

3.0
3.22

30 = R
85 = P
86 = Bl
87 = P
87a=R

X3



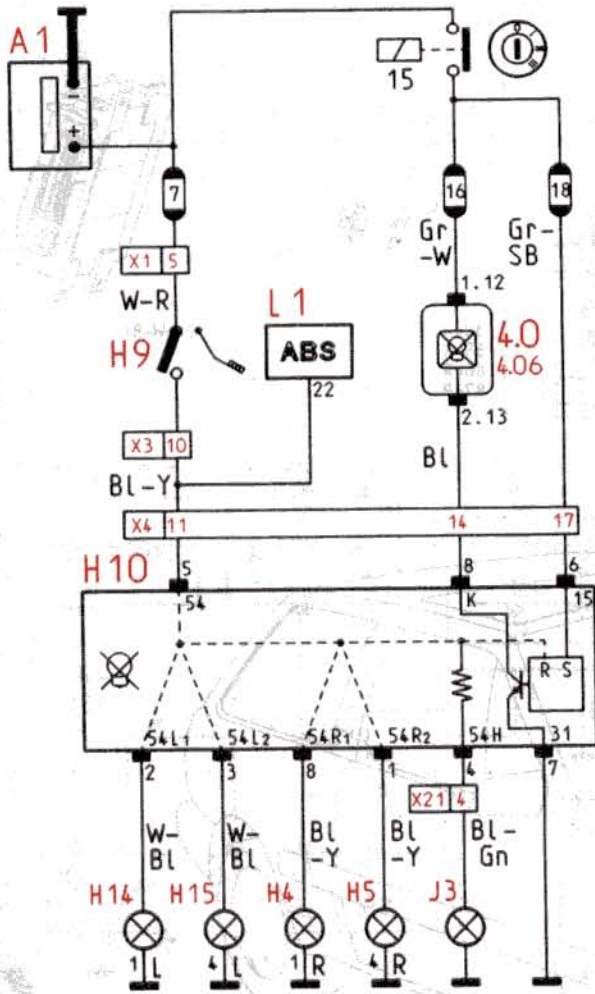
14 20

8 13

1 7

1 =R
5 =Gr-R

Brake lights with bulb failure detector

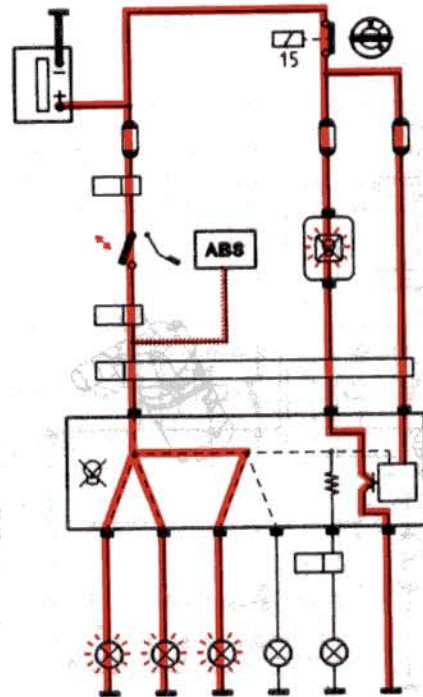
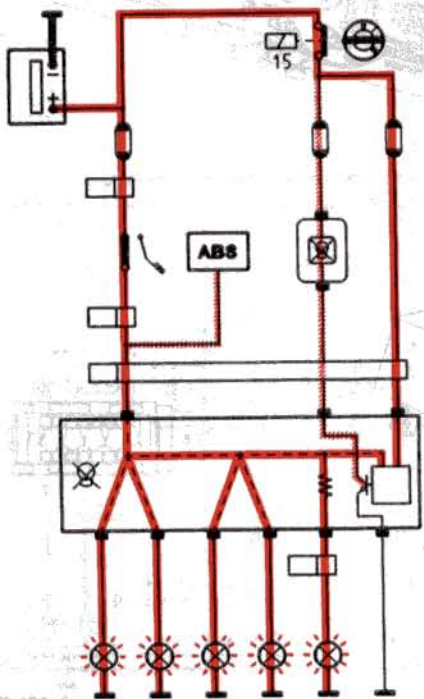


- 4.06 Warning lamp, defective bulb(s)
- H9 Switch, brake lights
- H4, H5 Brake light, right
- H10 Bulb failure detector, rear lights
- H14, H15 Brake light, left
- J3 High-level auxiliary brake light
- L1 Electronic Control Unit, ABS
- X1 20-pin connector (white)
- X3 20-pin connector (black)
- X4 20-pin connector (blue)
- X21 4-pin connector (white)

With effect from model year 1994, the bulb failure detector operates only on the brake lights.

Ignition on. Braking and warning lamp reset.

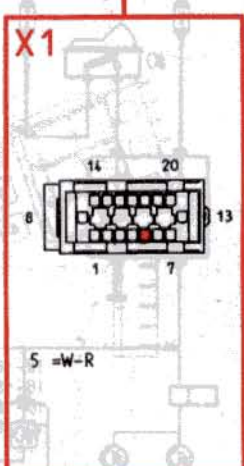
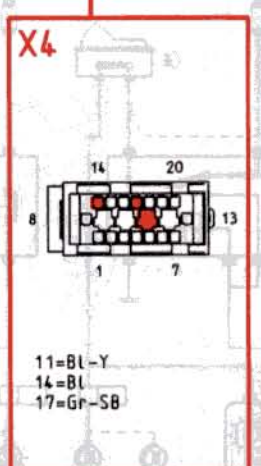
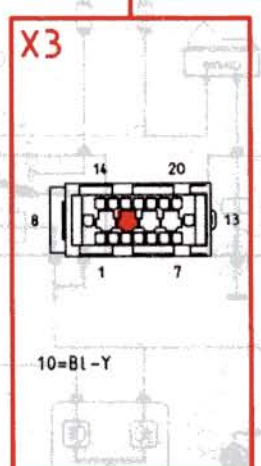
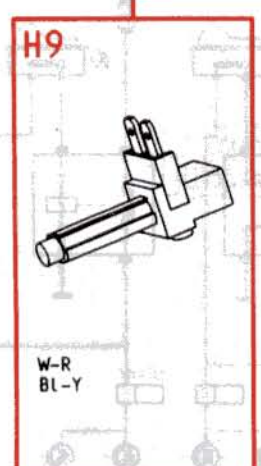
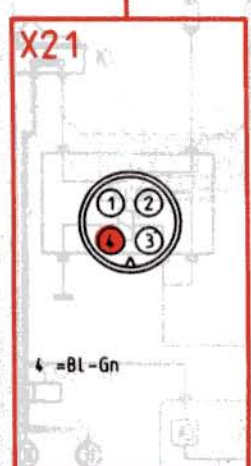
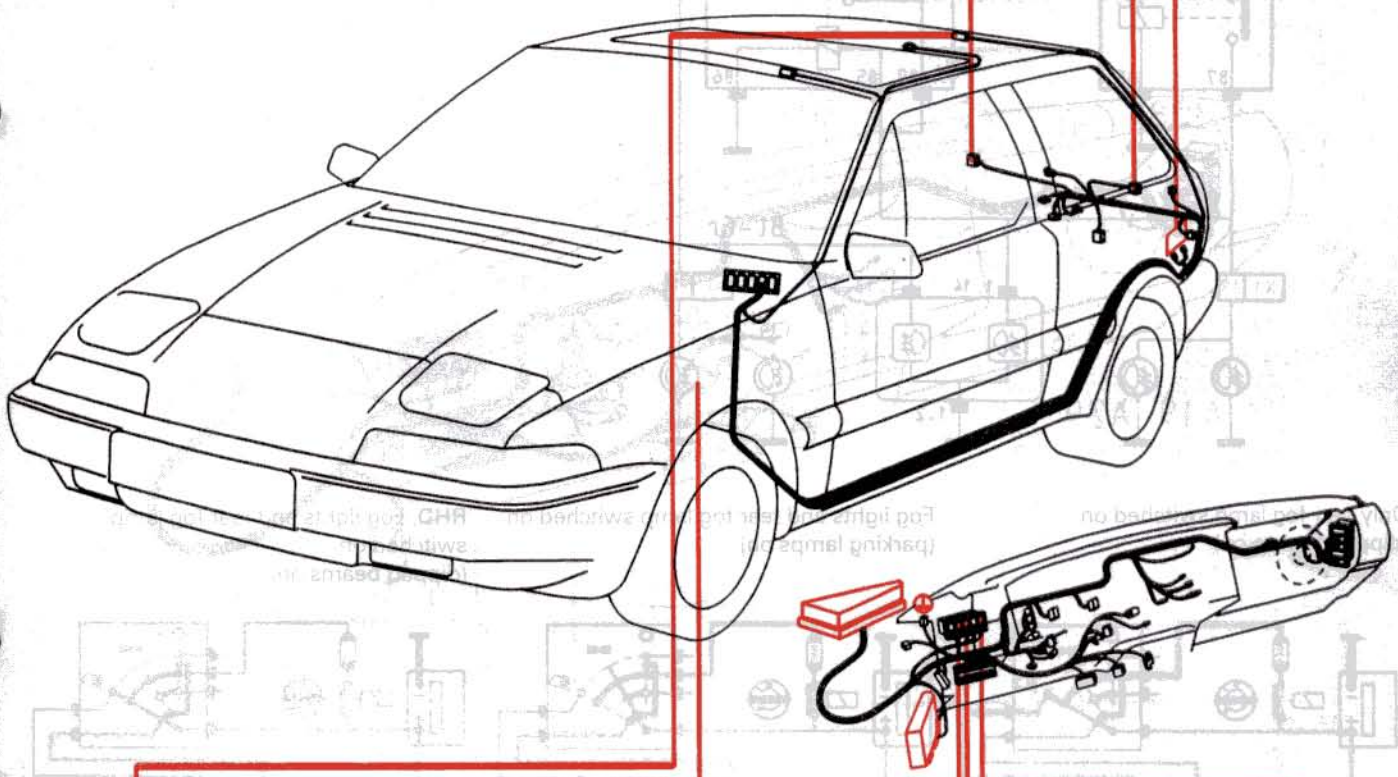
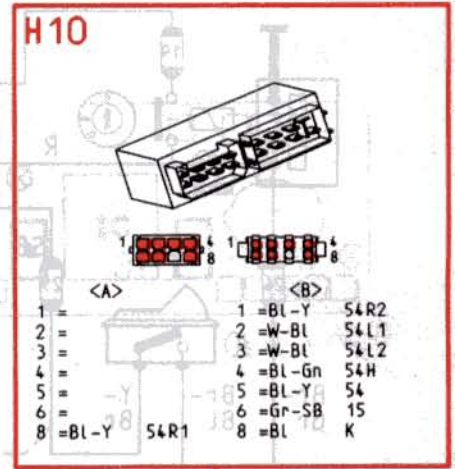
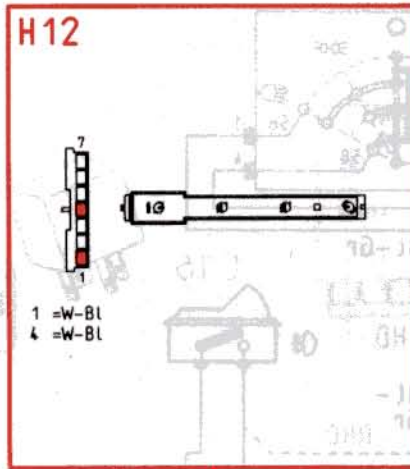
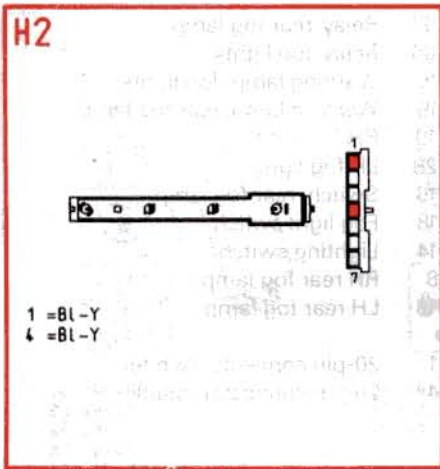
Braking. One brake light defective, warning lamp glows.



3-004/010

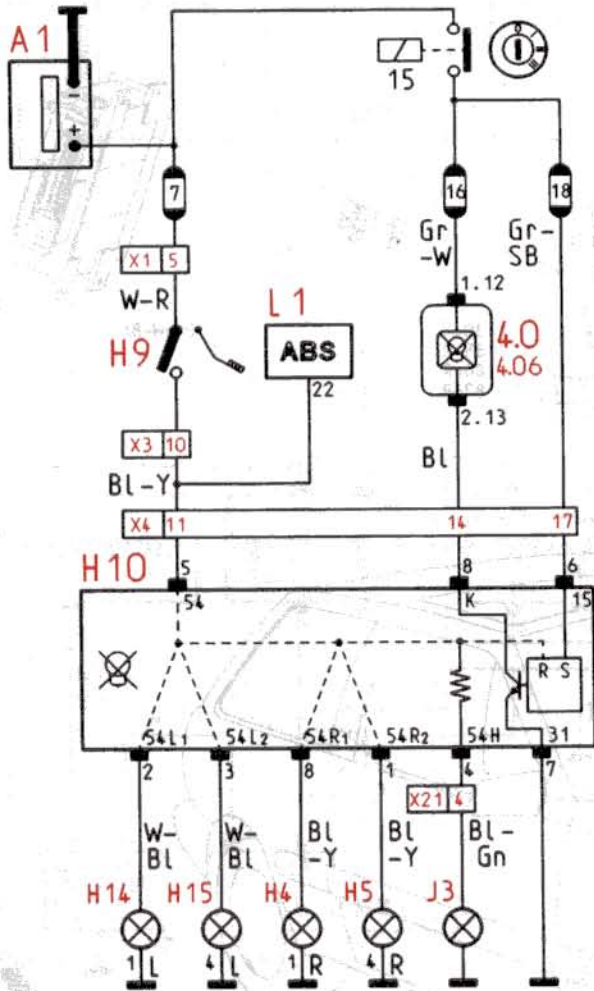
Brake lights with bulb failure detector

Wahlstrom chassis no. 251074



Brake lights with bulb failure detector

WIPACB (in objects with 1-014-11AA)



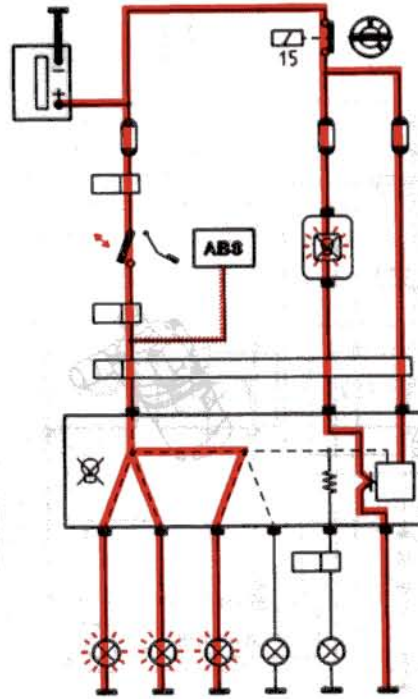
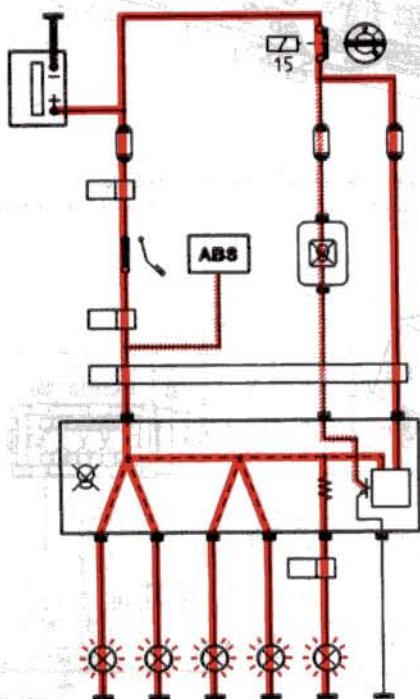
- 4.06 Warning lamp, defective bulb(s)
- H9 Switch, brake lights
- H4, H5 Brake light, right
- H10 Bulb failure detector, rear lights
- H14, H15 Brake light, left
- J3 High-level auxiliary brake light
- L1 Electronic Control Unit, ABS

- X1 20-pin connector (white)
- X3 20-pin connector (black)
- X4 20-pin connector (blue)
- X21 4-pin connector (white)

With effect from model year 1994, the bulb failure detector operates only on the brake lights.

Ignition on. Braking and warning lamp reset.

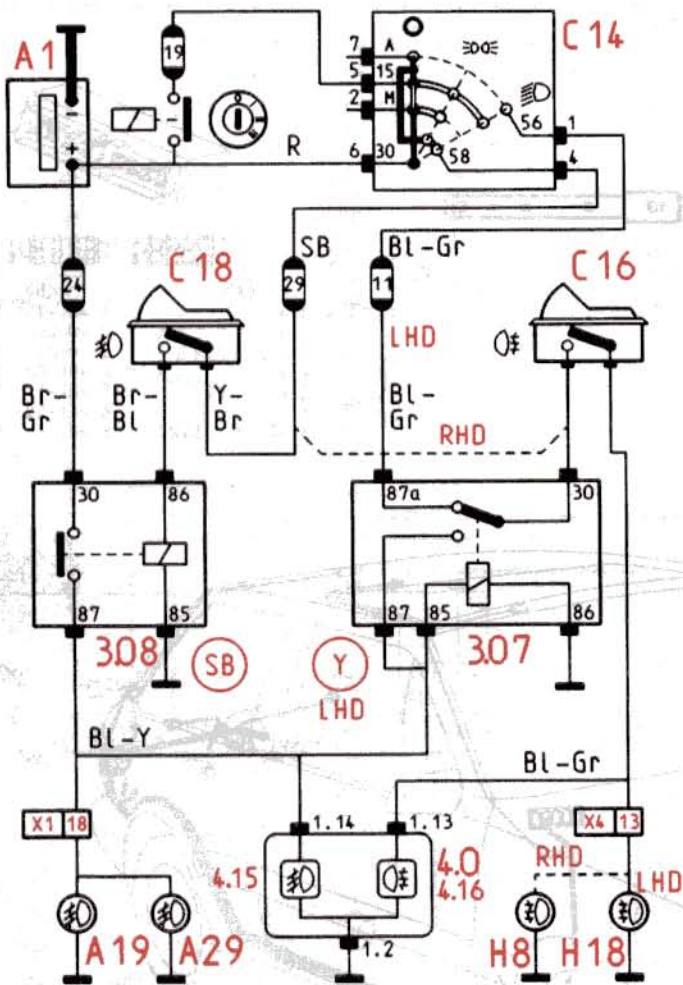
Braking. One brake light defective, warning lamp glows.



3-004/010

Fog lights and rear fog lamps

With effect from chassis no. 581012.



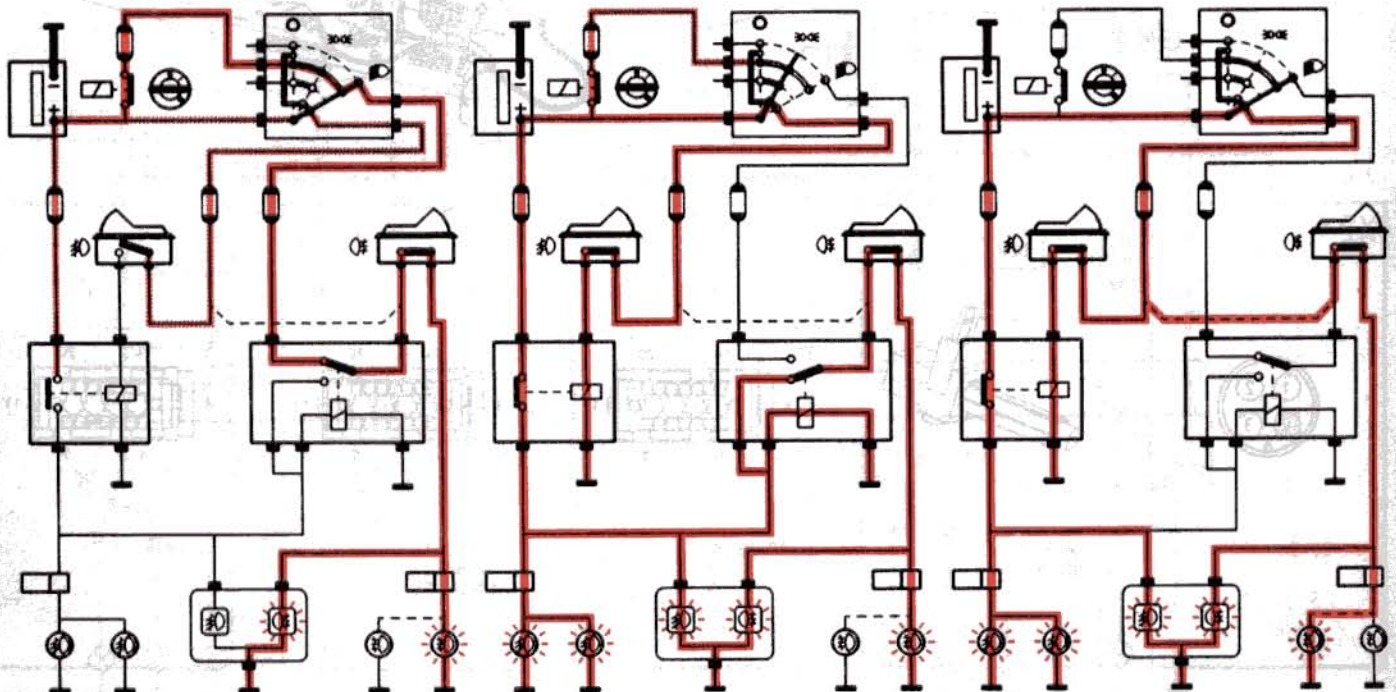
- 3.07 Relay, rear fog lamp
- 3.08 Relay, fog lights
- 4.15 Warning lamp, fog lights
- 4.16 Warning lamp, rear fog lamp
- A19 RH fog light
- A29 LH fog light
- C16 Switch, rear fog lamp
- C18 Fog light switch
- C14 Lighting switch
- H8 RH rear fog lamp
- H18 LH rear fog lamp

- X1 20-pin connector (white)
- X4 20-pin connector (blue)

Only rear fog lamp switched on (dipped beams on)

Fog lights and rear fog lamp switched on (parking lamps on)

RHD. Fog lights and rear fog lamp switched on (dipped beams on)



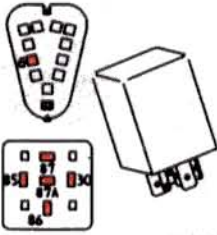
3-004/012

Fog lights and rear fog lamps

With effect from chassis no. 581012.

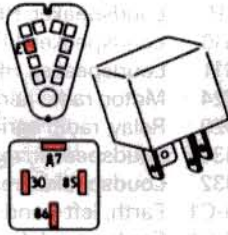
3.0

3.07



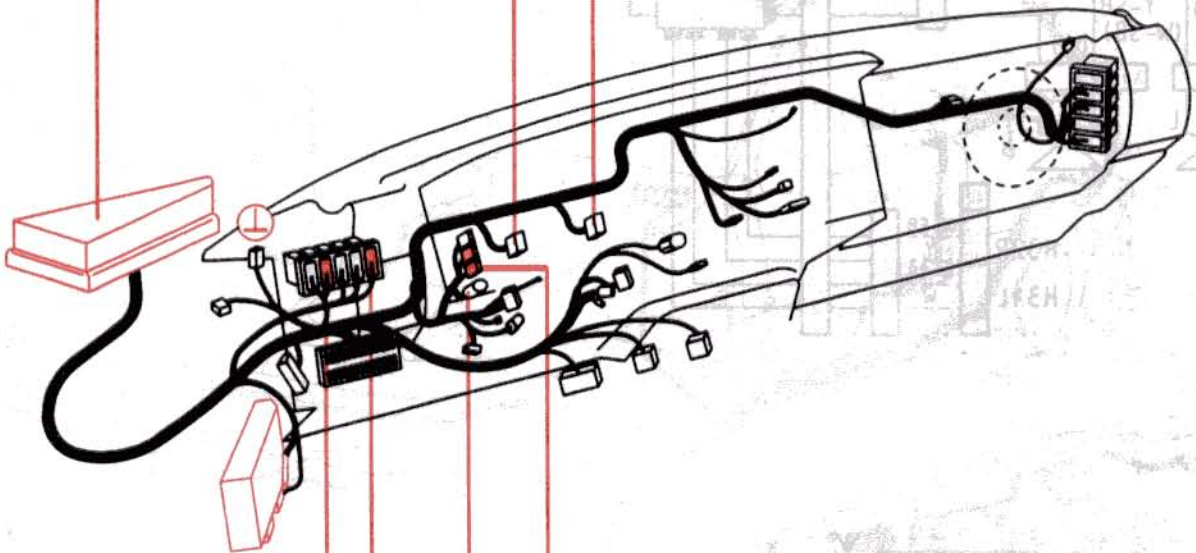
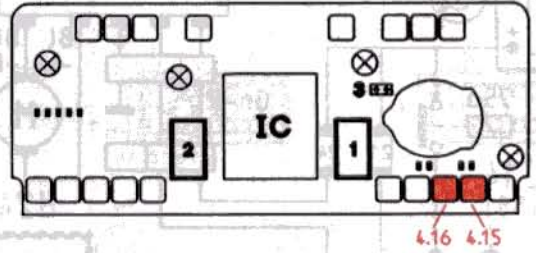
30 =Bl-Gr
85 =Bl-Y
86 =Br
87 =Bl-Y
87A=Bl-Gr

3.08

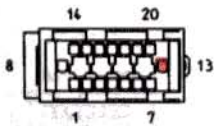


30 =Br-Gr
85 =Br
86 =Br-Bl
87 =Bl-Y

4.0

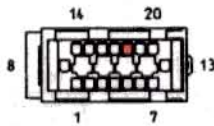


X4



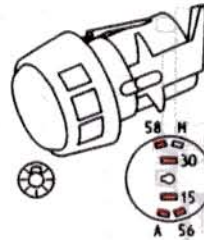
13=Bl-Gr

X1



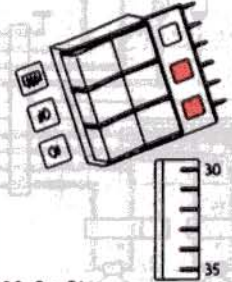
18=Bl-Y

C14



A =W
15=W
30=R
56=Bl-Gr
58=SB

C16-C18



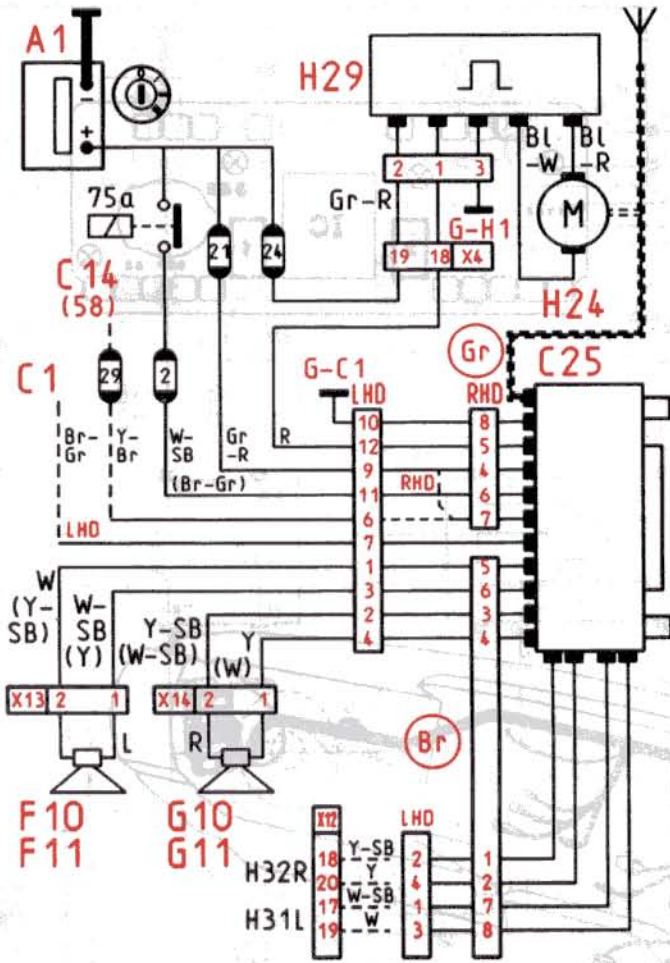
32=Br-Bl
33=Br-Bl
34=Bl-Gr
35=Bl-Gr

3-004/00-E

3-004/013

Radio connections

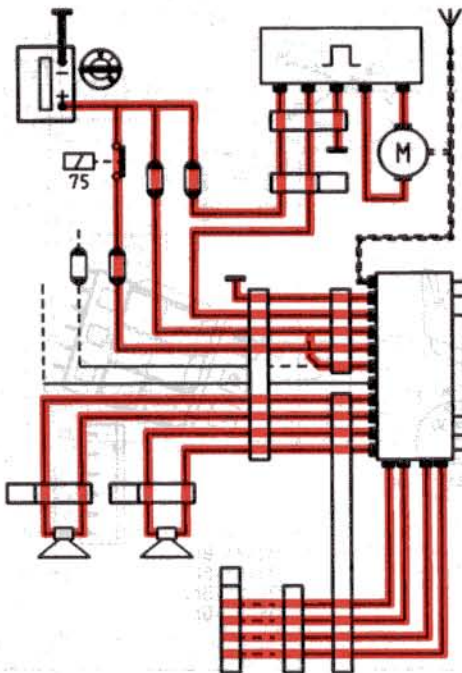
With effect from chassis no. 581012.



- C1 Rheostat, dashboard lighting
- C14 Lighting switch
- C25 Radio
- F10 Loudspeaker, LF
- F11 Loudspeaker, HF
- G10 Loudspeaker, LF
- G11 Loudspeaker, HF
- H24 Motor, radio aerial
- H29 Relay, radio aerial
- H31 Loudspeaker, rear-left
- H32 Loudspeaker, rear-right
- G-C1 Earth, left-hand A-pillar
- G-H1 Earth, near left-hand rear light
- X4 20-pin connector (blue)
- X8 14-pin connector (black)
- X12 20-pin connector (white)
- X13 20-pin connector (black)
- X14 20-pin connector (black)

(As from August 1992 (for RHD cars only) connectors c79 and c80 have been fitted.)

Radio on.



E1 07-AD0-L

3-004/014

Radio connections

With effect from chassis no. 581012.

F10, F11
G10, G11

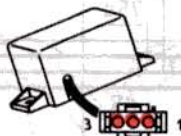


H24



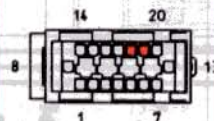
Bl-R
Bl-W

H29



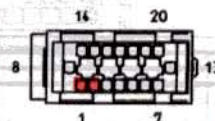
1 = R
2 = Gr-R
3 = Br

X4

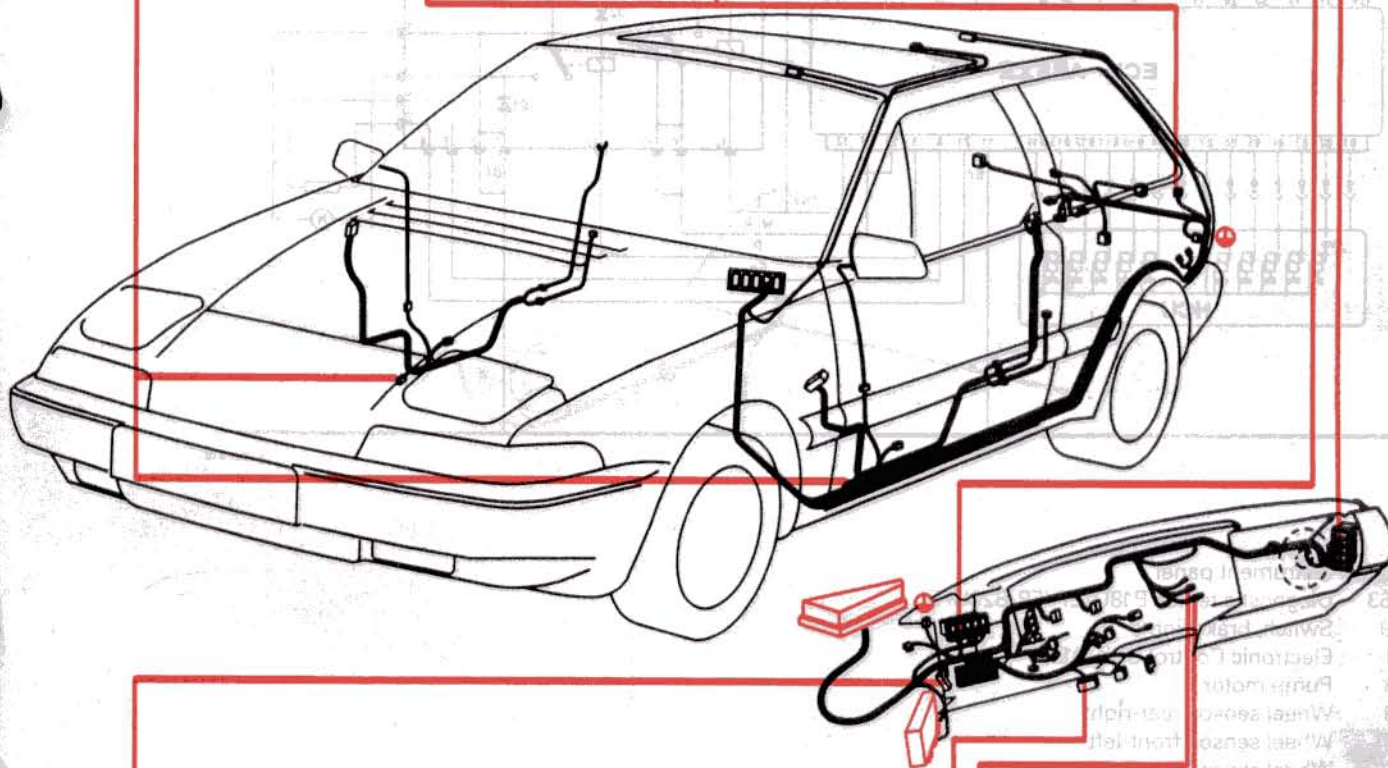


18=R
19=Gr-R

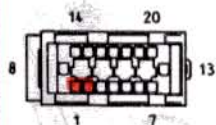
X14



1 = Y
2 = Y-SB

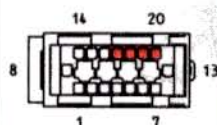


X13



1 = W-SB
2 = W

X12



17=W-SB
18=Y-SB
19=W
20=Y

c72 LHD

c72 ↔ C25



1 = W-SB 3 = W
2 = Y-SB 4 = Y

c80 RHD



1(+) = Y-SB 5(+) = Y-SB
2(-) = Y 6(-) = Y
3(+) = W-SB 7(+) = W-SB
4(-) = W 8(-) = W

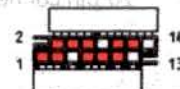
c79 RHD



4 = Gr-R
5 = R
6 = Br-Gr
7 = Gr-R
8 = Br

c71 LHD

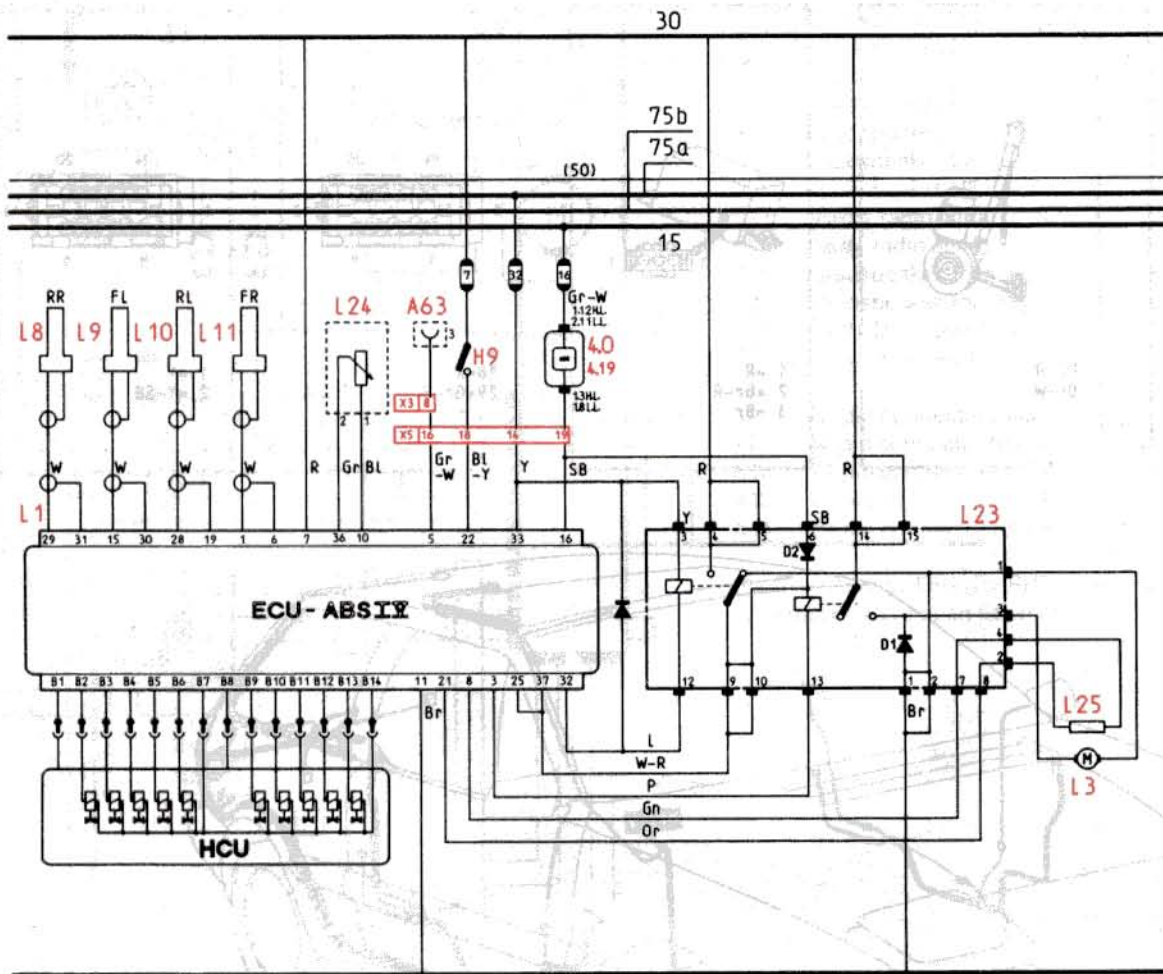
c71 ↔ C25



1 = W 8 = --
2 = Y-SB 9 = Gr-R
3 = W-SB 10 = Br
4 = Y 11 = W-SB
5 = -- 12 = R
6 = Y-Br 13 = --
7 = Br-Gr 14 = --

ABS Mk IV

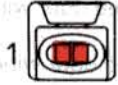
With effect from chassis no. 581012.



3-004/016

- 4.0 Instrument panel
- A63 Diagnostic tester, B18U/EP/FP, B20U/F
- H9 Switch, brake lights
- L1 Electronic Control Unit, ABS
- L3 Pump motor
- L8 Wheel sensor, rear-right
- L9 Wheel sensor, front-left
- L10 Wheel sensor, rear-left
- L11 Wheel sensor, front-right
- L23 Combined relay
- L24 Brake pedal travel sensor
- L25 Pump sensor
- X3 20-pin connector (black)
- X5 20-pin connector (yellow)

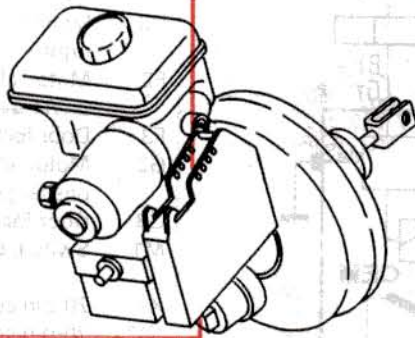
L24



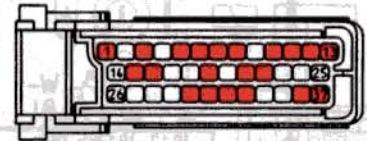
1

SB

- 1 = Bl
- 2 = Gr

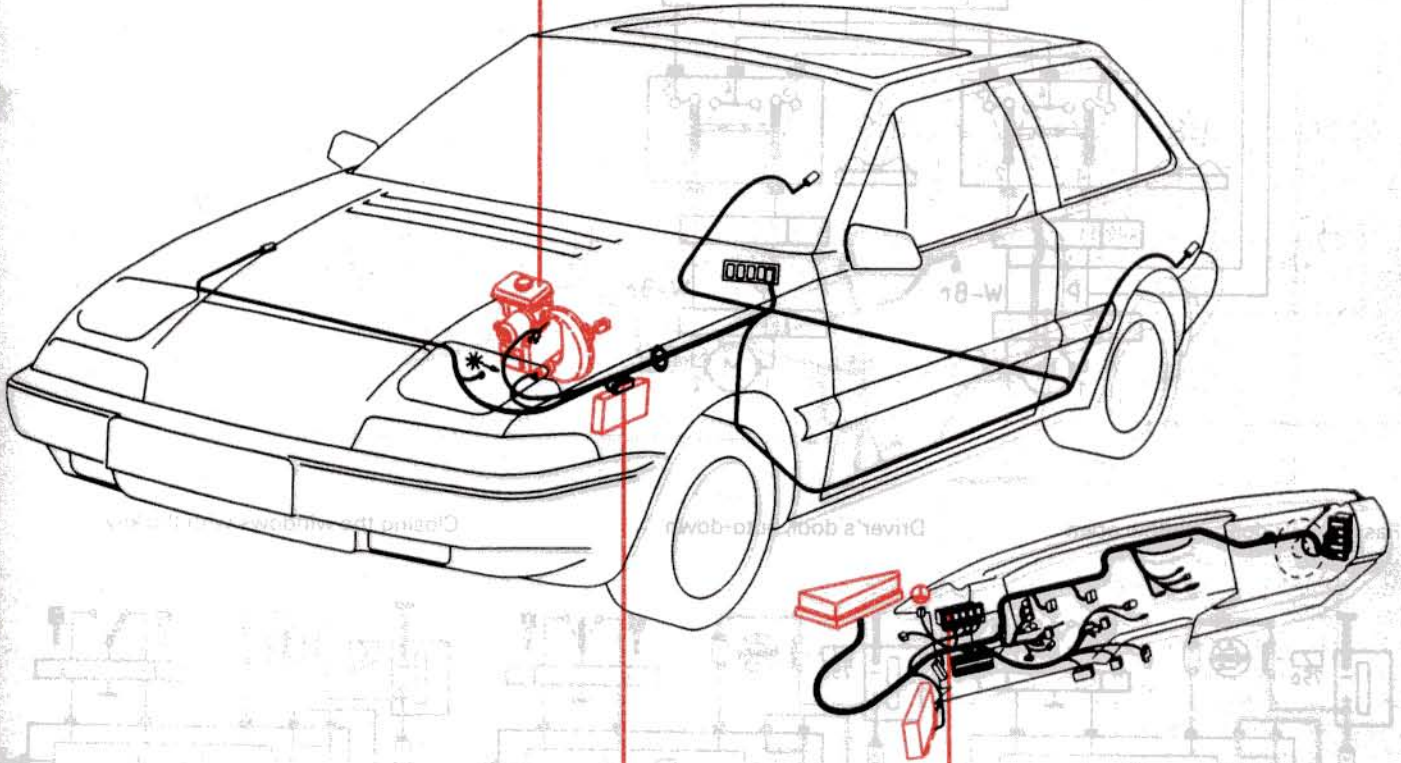


L1



- | | | |
|----------|-----------|----------|
| 1 = W | 13 = W-R | 36 = Gr |
| 3 = P | 15 = W | 37 = W-R |
| 5 = Gr-W | 16 = SB | |
| 6 = O | 19 = O | |
| 7 = R | 21 = R | |
| 8 = Gn | 22 = Bl-Y | |
| 10 = Bl | 30 = W | |
| 11 = Br | 31 = O | |
| 12 = Br | 33 = L | |

* =



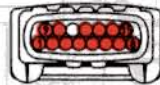
L8, L9,
L10, L11



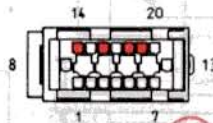
L23



- | | |
|--------|----------|
| 1 = Br | 9 = W-R |
| 2 = Br | 10 = W-R |
| 3 = Y | 11 = -- |
| 4 = R | 12 = L |
| 5 = R | 13 = P |
| 6 = SB | 14 = R |
| 7 = Gn | 15 = R |
| 8 = Or | |



X5

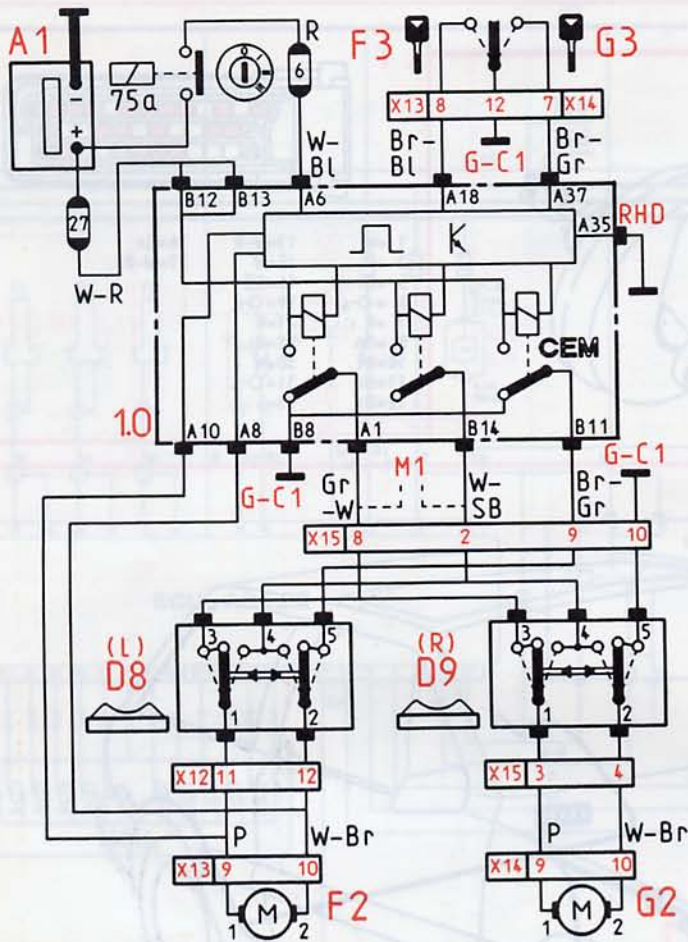


- 14 = Y
- 16 = Gr-W
- 18 = Bl-Y
- 19 = R

Y

Electrically operated door windows and sun roof

Minor modifications to the wiring diagram. For RHD cars: additional earth connection at A35.

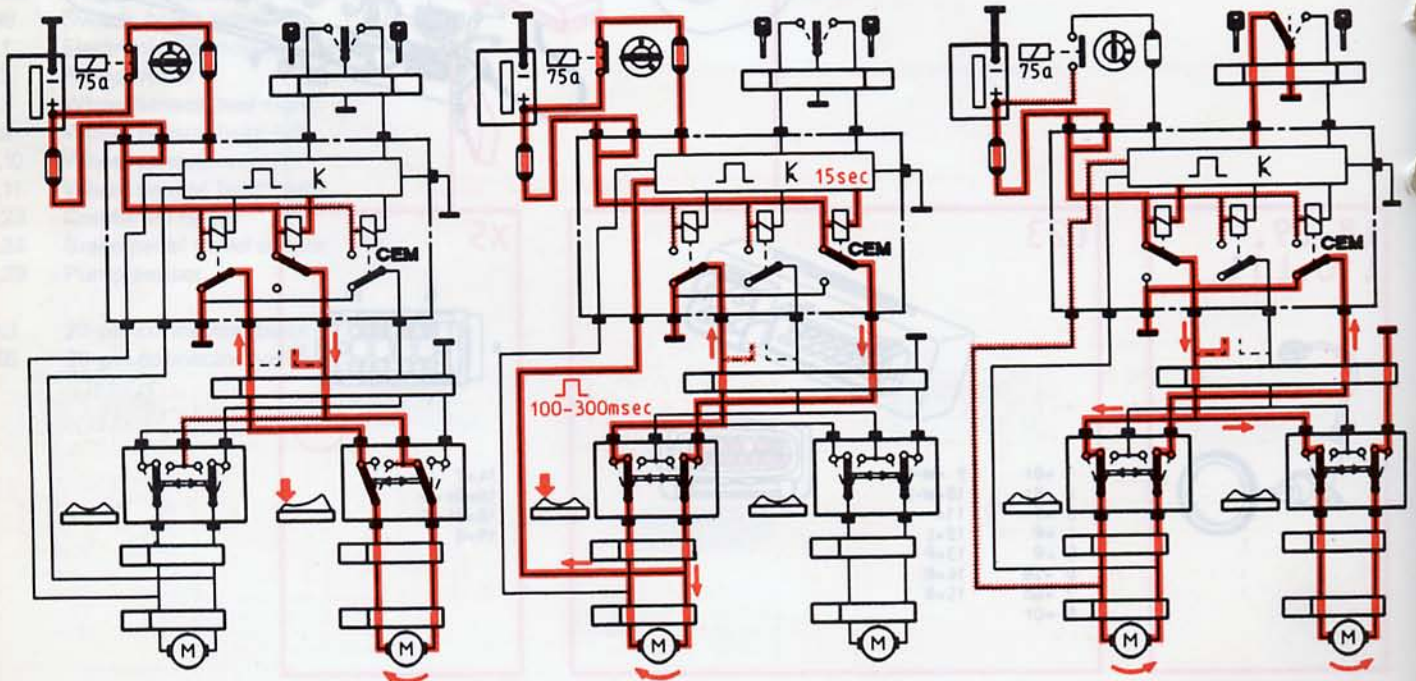


- 1.0 CEM
- D8 Switch, electrically operated door window, left
- D9 Switch, electrically operated door window, right
- F2 Motor, electrically operated door window, driver's side
- F3 Door lock switch, drivers door
- G2 Motor, electrically operated door window, passenger's side
- G3 Door lock switch, passenger's door
- M1 Switch, tilting sun roof
- X4 20-pin connector, blue
- X12 20-pin connector, white
- X13 20-pin connector, black
- X14 20-pin connector, black
- X15 14-pin connector, black

Passenger's door, window open

Driver's door, auto-down

Closing the windows with the key

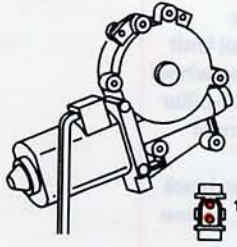


3-004/018

Electrically operated door windows and sun roof

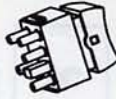
Minor modifications to the wiring diagram. For RHD cars: additional earth connection at A35.

F2, G2



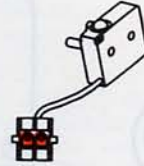
1 =W-Br
2 =P

D8, D9



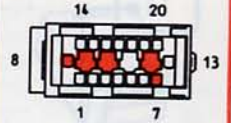
1 =P
2 =W-Br
3 =Gr-W
4 =W-SB
5 =Br (Br-Gr)

F3, G3

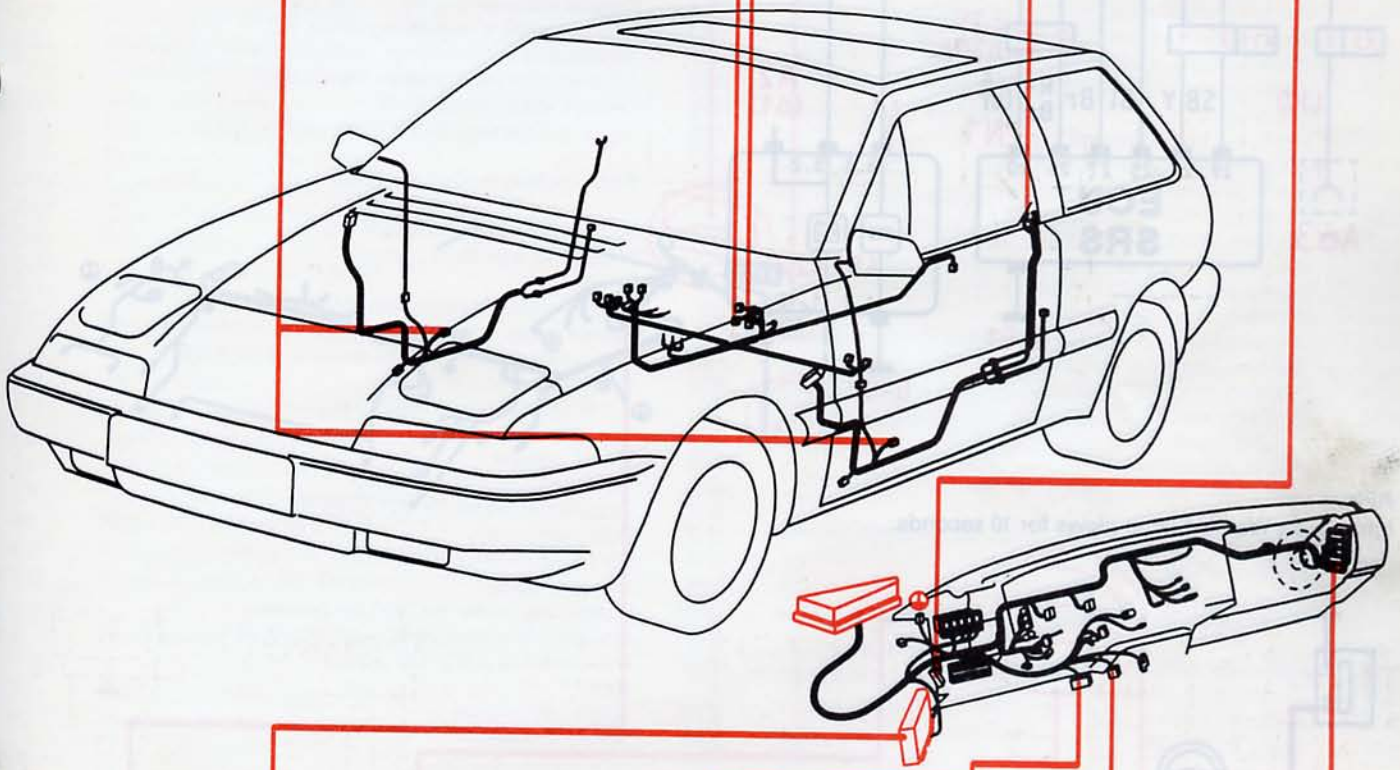


Br-BL
Br-Gr

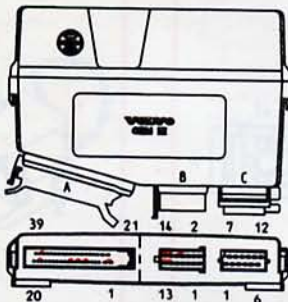
X13



7 =Br-Gr
8 =Br-BL
9 =P
10=W-Br
12=Br

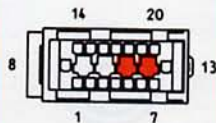


1.0



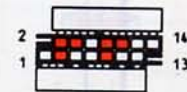
A1 =Gr-W
A6 =W-BL
A8 =W-Br
A10=P
A18=Br-BL
A37=Br-Gr
B8 =Br
B11=Br-Gr
B12=W-R
B13=W-R
B14=W-SB

X12



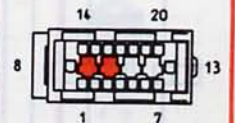
11=P
12=W-Br

X15



2 =W-SB
3 =P
4 =W-Br
8 =Gr-W
9 =Br-Gr
10=Br

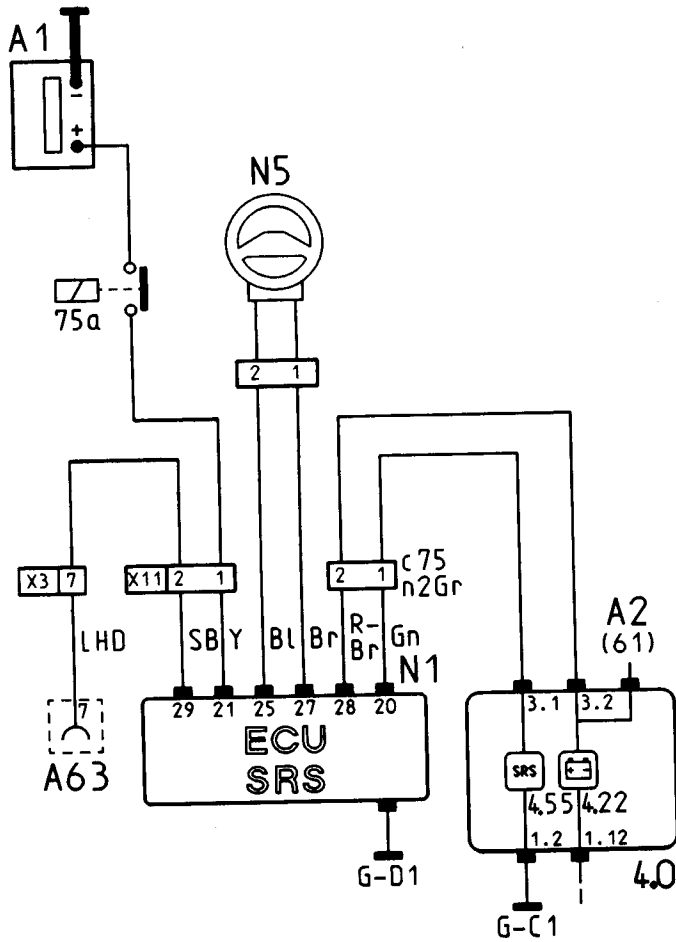
X14



9 =P
10=W-Br

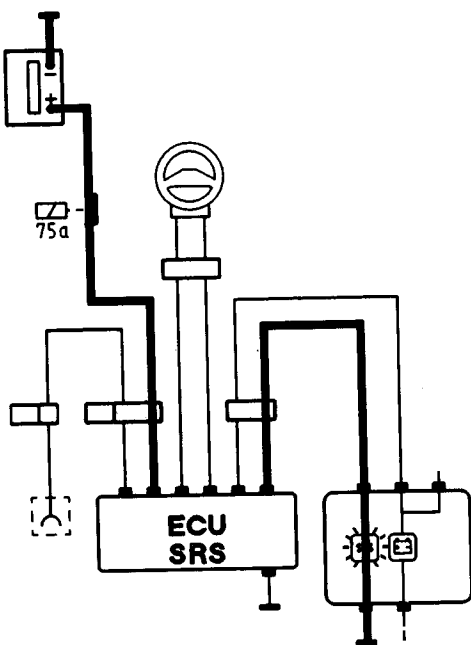
SRS - airbag

Minor modifications to the wiring diagram. For RHD cars: additional earth connection at A35.



- 4.22 Warning lamp, battery charge
- 4.55 Hall transmitter
- A2 Alternator
- A63 Diagnostic tester
- N1 Electronic Control Unit
- N5 Airbag in steering wheel
- G-C1 Earth, left-hand A-pillar
- G-D1 Earth on SRS sensor
- X3 20-pin connector, black
- X11 2-pin connector, yellow

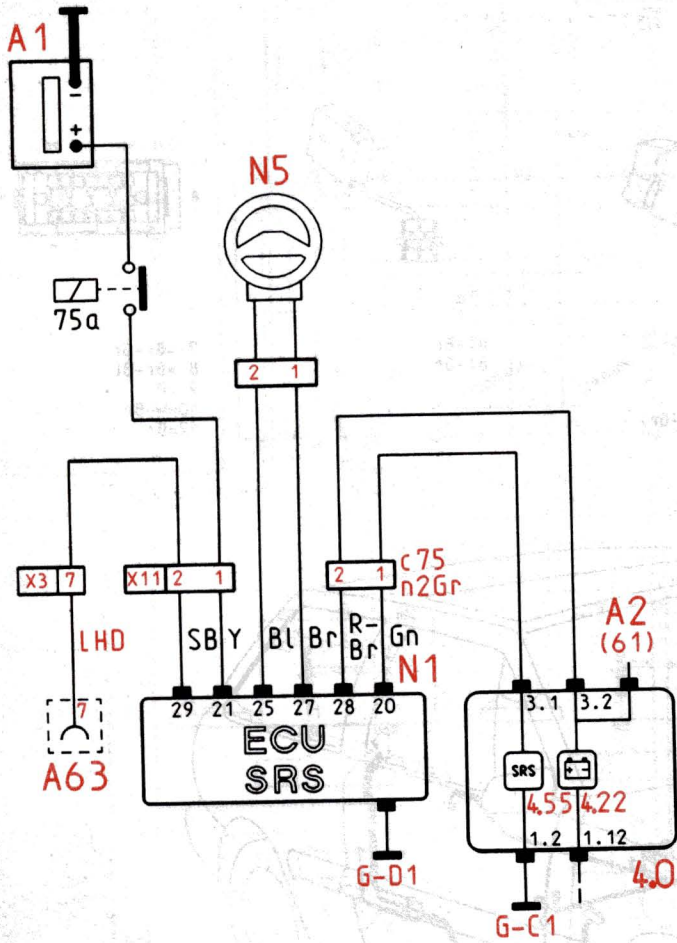
Airbag.
Ignition on. Warning lamp glows for 10 seconds.



3-004/020

SRS - airbag

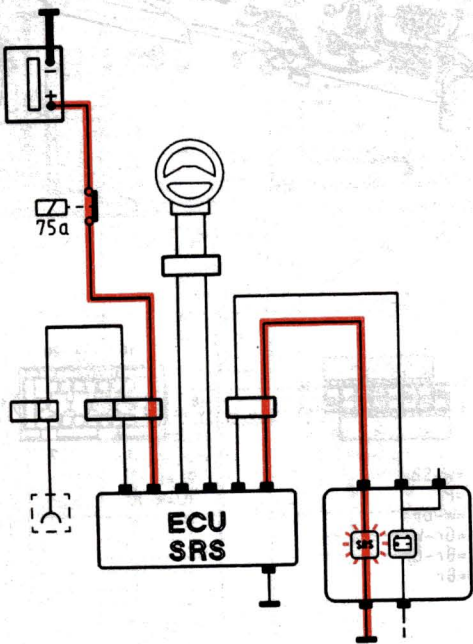
Minor modifications to the wiring diagram. For RHD cars: additional earth connection at A35.



- 4.22 Warning lamp, battery charge
- 4.55 Hall transmitter
- A2 Alternator
- A63 Diagnostic tester
- N1 Electronic Control Unit
- N5 Airbag in steering wheel
- G-C1 Earth, left-hand A-pillar
- G-D1 Earth on SRS sensor

- X3 20-pin connector, black
- X11 2-pin connector, yellow

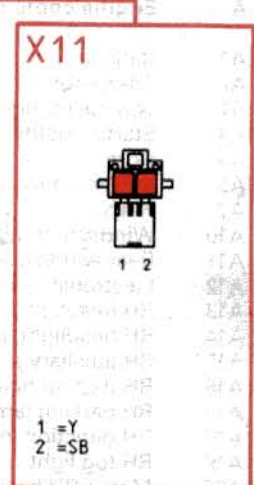
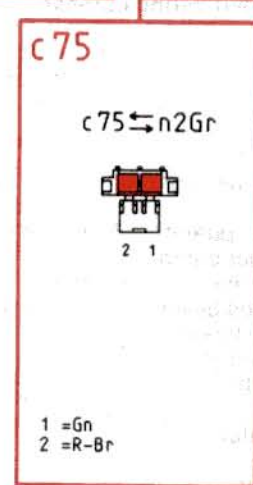
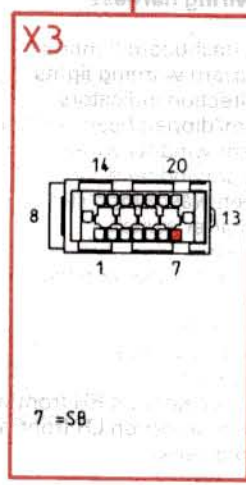
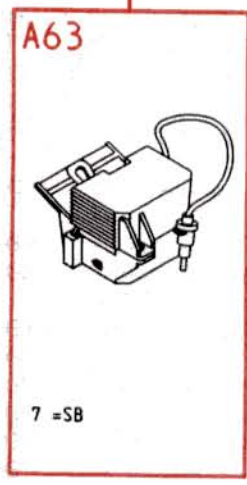
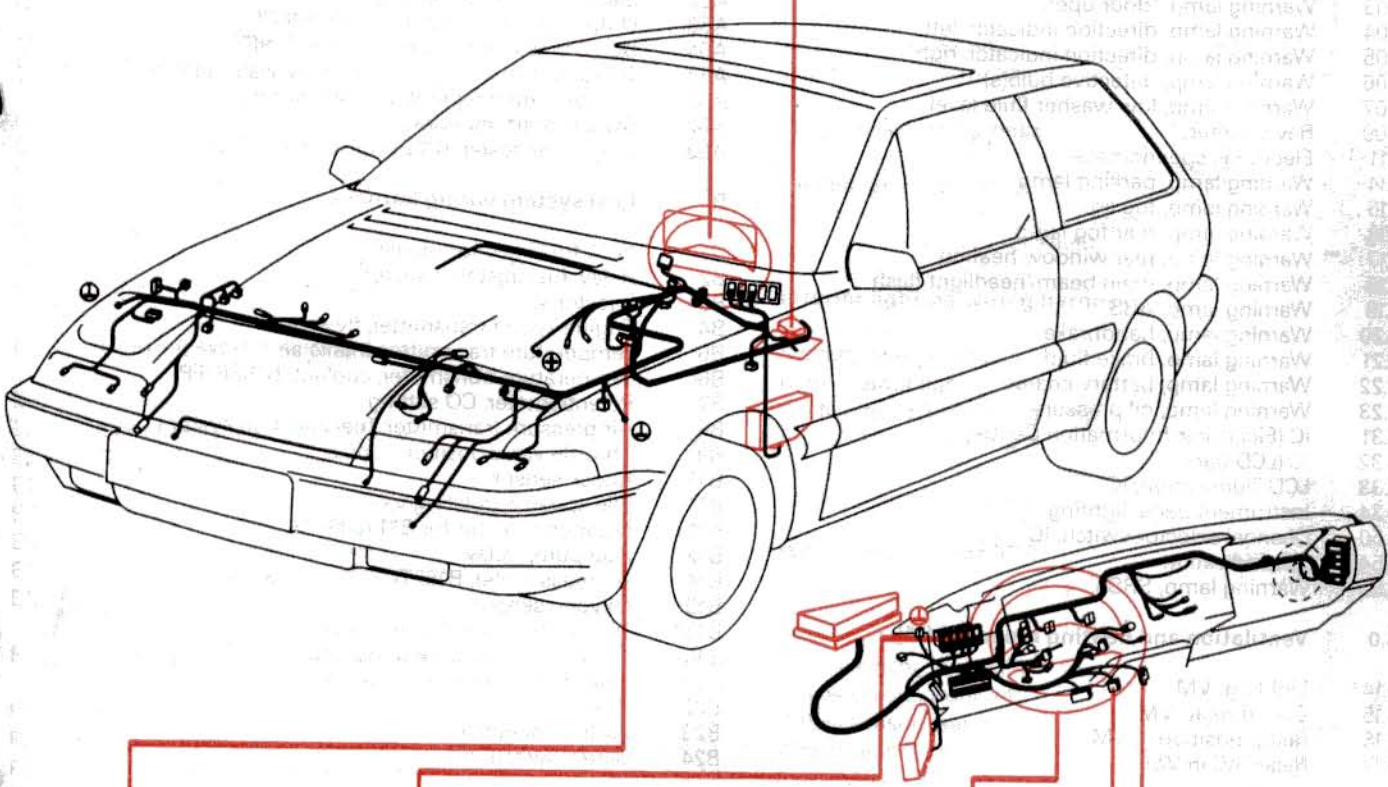
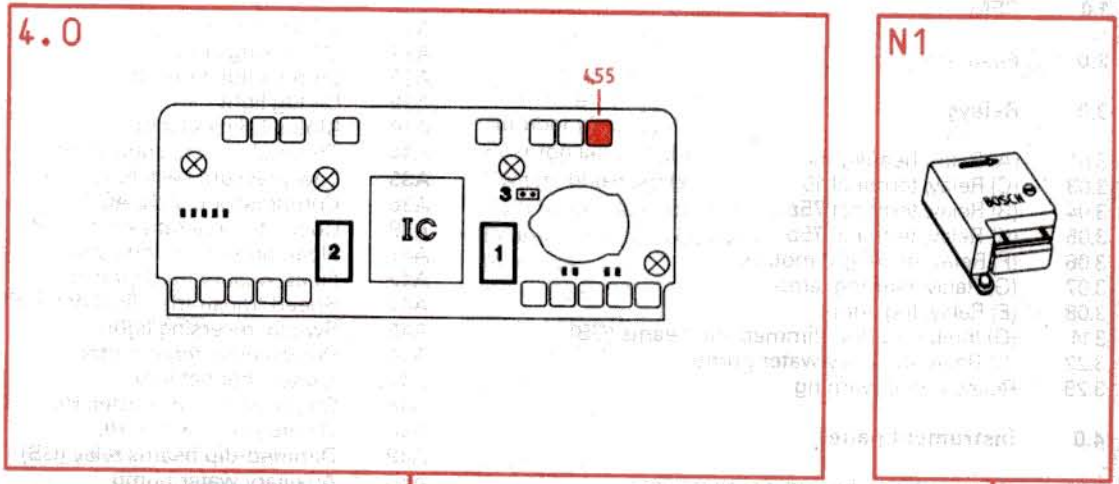
Airbag.
Ignition on. Warning lamp glows for 10 seconds.



3-004/020

SRS - airbag

Minor modifications to the wiring diagram. For RHD cars: additional earth connection at A35.



Numerical components list

No.	Component		
1.0	CEM	A23	LH headlight, dipped beam
2.0	Fuse box	A24	LH headlight, main beam
3.0	Relays	A25	LH auxiliary driving light
3.01	(A) Relay, headlights	A26	LH day-running light
3.03	(C) Relay, terminal 15	A27	LH parking lamp
3.04	(B) Relay, terminal 75a	A28	LH direction indicator
3.05	(K) Relay, terminal 75b	A29	LH fog light
3.06	(F) Relay, headlight motors	A30	Motor, LH headlight
3.07	(G) Relay, rear fog lamp	A34	Thermal switch, cooling fan
3.08	(E) Relay, fog lights	A35	Low pressure switch, AC
3.14	(G) Inhibitor relay, dimmed-dip beams (GB)	A36	Compressor clutch, AC
3.22	(D) Relay, auxiliary water pump	A39	Coolant temperature transmitter, IC
3.29	Relay, speed warning	A41	Float, brake fluid indicator
4.0	Instrument panel	A42	Float, washer fluid indicator
4.01	Warning lamp, hazard warning lights	A44	Speed transmitter, final drive, HL
4.02	Warning lamp, seat belts	A45	Switch, reversing lights
4.03	Warning lamp, 'door open'	A46	Windscreen wiper motor
4.04	Warning lamp, direction indicator, left	A47	Switch, bonnet lock
4.05	Warning lamp, direction indicator, right	A48	Oil pressure transmitter, HL
4.06	Warning lamp, defective bulb(s)	A48	Oil pressure switch, HL
4.07	Warning lamp, low washer fluid level	A49	Dimmed-dip beams relay (GB)
4.09	Rev-counter	A50	Auxiliary water pump
4.11	Electronic speedometer	A51	Heating, crankcase ventilation system
4.14	Warning lamp, parking lamp	A52	Electronic ignition, B18FT
4.15	Warning lamp, fog lights	A53	Output stage and ignition coil, B18FT
4.16	Warning lamp, rear fog lamp	A54	Boost pressure regulating valve, B18FT
4.17	Warning lamp, rear window heating	A57	Temperature transmitter, auxiliary water pump
4.18	Warning lamp, main beam/headlight flash	A58	Oil level and temperature transmitter
4.19	Warning lamp, ABS	A62	Switch, start interlock, AT
4.20	Warning lamp, handbrake	A63	Diagnostic tester, B18EP/FP + CEM + ABS
4.21	Warning lamp, brake fluid	B	Fuel system wiring harness
4.22	Warning lamp, battery charge	B1	ECU, fuel injection system
4.23	Warning lamp, oil pressure	B2	Relay, fuel injection system
4.31	IC (Electronic Information Centre)	B3	Injector(s)
4.32	IC (LCD panel)	B4	Engine speed transmitter, flywheel
4.33	LCD illumination, IC	B5	Temperature transmitter, intake air
4.34	Instrument panel lighting	B6	Temperature transmitter, coolant, B18EP/FP
4.50	Channel selector switch, IC	B7	Potentiometer, CO setting
4.54	MIL indication	B8	Air pressure transmitter, fuel injection system
4.55	Warning lamp, SRS5.	B9	Throttle valve position sensor
5.0	Ventilation and heating module (VM)	B10	Knock sensor
5.14	Lighting, VM	B11	Idle speed regulating valve
5.15	On/off relay, VM	B11.1	Diagnostic tester for B11 (B18FT)
5.16	Relay, position 4, VM	B12	Fuel pump relay
5.17	Relay, AC in VM	B14	Air mass meter, B18FT
A	Engine compartment wiring harness	B15	Oxygen sensor
A1	Battery	B15.1	Diagnostic tester for oxygen sensor
A2	Alternator	B16	Coolant temperature transmitter, B18FT
A2	Voltage regulator	B20	Fuse (next to B12), fuel pump
A3	Starter motor	B22	EVAP
A4	Horn	B23	Earth connection
A5	Engine cooling fan, radiator	B24	Safety switch, AC
A7	Horn	C	Central wiring harness
A10	Windscreen washer pump	C1	Rheostat, dashboard lighting
A11	Rear window washer pump	C3	Switch, hazard warning lights
A12	Electronic ignition unit	C4	Switch, direction indicators
A13	RH headlight, dipped beam	C5	Main beam/dipped beam switch
A14	RH headlight, main beam	C6	Switch, rear window wiper
A15	RH auxiliary driving light	C7	Switch, rear window washer
A16	RH day-running light	C8	Windscreen wash/wipe switch
A17	RH parking lamp	C9	Ignition/starter switch
A18	RH direction indicator	C10	Switch, horn
A19	RH fog light	C11	Switch, rear window heating
A20	Motor, RH headlight	C13	Clock
A21	Headlight washer pump	C14	Lighting switch
A22	Ambient air temperature transmitter	C16	Switch, rear fog lamp
		C18	Fog light switch
		C21	Bulb, side repeater on RH front wing
		C22	Bulb, side repeater on LH front wing
		C24	Cable, radio aerial
		C25	Radio
		C26	Lighting, radio
		C27	Ignition switch light

- C28 Lighting, hazard warning switch
- C29 Lighting, central instrument panel
- C30 Switch, glove-box light
- C31 Glove-box light
- C32 Oil pressure gauge
- C33 Battery voltmeter
- C34 Lighting, lighting switch
- C39 LED, car alarm

D Tunnel console wiring harness

- D1 Switch lighting, centre console
- D2 Switch, seat heating, driver's seat
- D3 Bulb, seat heating switch, driver's seat
- D4 Switch, seat heating, passenger's seat
- D5 Bulb, seat heating switch, passenger's seat
- D6 Switch, auxiliary driving lights
- D7 Door mirror, driver's side (left)
- D8 Switch, electrically operated door window, left
- D9 Switch, electrically operated door window, right
- D10 Door mirror, right
- D11 Cigar lighter
- D12 Cigar lighter illumination
- D13 Seat belt contact, driver
- D14 Seat heating element and thermostat, left
- D15 Seat heating element and thermostat, right
- D16 Seat cushion contact, front passenger seat
- D17 Seat belt contact, passenger
- D18 Switch, handbrake
- D19 Tank transmitter, fuel gauge
- D20 Fuel injection pump
- D24 Lighting, selector scale, AT

E Heating system wiring harness

- E1 Blower motor
- E2 Series resistors, heater blower
- E3 Switch, heater blower
- E4 Lighting, heater blower switch
- E7 Time-delay relay, AC compressor, B18FT
- E8 Relay, AC cooling fan, stage 1
- E11 Relay, AC cooling fan, stage 2
- E12 Pressure switch, AC, 25 bar

F Door wiring harness - driver's side

- F1 Heating element, door mirror
- F2 Motor, electrically operated door window, driver's side
- F3 Door lock switch, driver's side
- F5 Motors, door mirror, driver's side
- F6 Switch, keyhole light
- F7 Keyhole light
- F8 Courtesy switch, driver's door
- F10 Loudspeaker, LF
- F11 Loudspeaker, HF

G Door wiring harness - passenger's side

- G1 Heating element, door mirror
- G2 Motor, electrically operated door window, passenger's side
- G3 Door lock switch, passenger's side
- G4 Motor, central locking system
- G5 Motors, door mirror, passenger's side
- G6 Courtesy switch, passenger's door
- G10 Loudspeaker, LF
- G11 Loudspeaker, HF

H Rear end wiring harness

- H1 Rear-right direction indicator
- H2, H3 Rear light, right
- H4, H5 Brake light, right
- H6 Reversing light, right
- H7 Number plate light, right
- H8 Rear fog lamp, right
- H9 Switch, brake lights
- H10 Bulb failure detector, rear lights
- H11 Rear-left direction indicator
- H12/13 Rear light, left
- H14/15 Brake light, left
- H16 Reversing light, left
- H17 Number plate light, left
- H18 Rear fog lamp, left
- H20 Boot light
- H21 Switch, boot light
- H22 Switch, tailgate lock
- H24 Motor, radio aerial
- H25 Radio aerial
- H29 Relay, aerial motor
- H31 Loudspeaker, rear-left
- H32 Loudspeaker, rear-right

J Tailgate wiring harness

- J1 Heating element, rear window
- J2 Rear window wiper motor
- J3 High-level auxiliary brake light

K Interior lighting wiring harness

- K2 Switch, interior light
- K3 Bulb, interior light
- K4 Switch, front-left reading lamp
- K5 Front-left reading lamp
- K6 Switch, front-right reading lamp
- K7 Front-right reading lamp

L Wiring harness for ABS

- L1 ECU
- L3 Pump motor
- L8 Wheel sensor, rear-right
- L9 Wheel sensor, front-left
- L10 Wheel sensor, rear-left
- L11 Wheel sensor, front-right
- L23 Combined relay
- L24 Brake pedal travel sensor
- L25 Pump sensor

M Sun roof wiring harness

- M1 Switch, tilting sun roof
- M3 Motor, tilting sun roof

N SRS wiring harness - airbag

- N1 Electronic Control Unit
- N5 Airbag, steering wheel module

Field report form

To:

Volvo Car Corporation
Afd. Service Technical Support
P.O. Box 1015
5700 MC Helmond
The Netherlands

From:

.....
.....
.....

Concerns publication:

.....

Section: Page TP no.

Suggestions/reasoning:

.....
.....
.....
.....
.....
.....
.....

Date

.....

**Do you have any useful comment or other ideas concerning this manual?
If so, make a copy of this page and send them to us at the above address.**

TP 3906031
1800.08.93
English
Printed in the
Netherlands

Valkenburg Printers Echt / De Wit Binders B.V. Eindhoven